


COMPA 2 Miniature Valves

- Compact design: 15 mm body
- Original Univer spool system appreciated for decades
- Wide range of actuators and manual operators for panels - Univer original



| | |
|---------------------|--|
| Fluid | 10 µm filtered air |
| Ambient temperature | -10 ÷ +45 °C |
| Fluid temperature | -20 ÷ +50 °C |
| Commutation system | spool |
| Ways/Positions | 5/2 |
| Pressure | max 10 bar |
| Control | manual, mechanical |
| Return | mechanical spring |
| Connections | M5, for sub-base |
| Nominal Ø | 2 mm |
| Nominal flow rate | 150 NI/min |
| Valve body | zamak |
| Guarnizioni | NBR |
| Actuators | technopolymer |
| Spool | aluminium |
| Electropilot | series A |
| Coil | U05 = 2 W (DC) 2,3 VA (AC) |
| Voltage | 24 V DC - 12 V DC - 24 V AC - 110 V AC - 230 V AC (solo versione con connessione elettrica esterna) |
| Protection degree | IP65 |
| Manual override | a pulsante incassato 1 posizione |


Reference standard

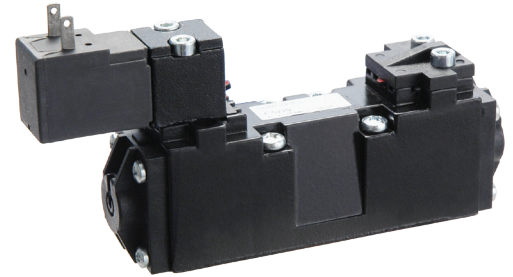
II 2G Ex h IIC T5 Gb



II 2D Ex h IIC T100°C Db



II 3 GD c nA II T5 -10 °C ≤ Ta ≤ 45°C IP65


Ordering codes

- C.C. = closed centres
- O.C. = open centres
- P.C. = pressurized centres

| Series | Type | Control 14 | Return 12 |
|----------------------------|--|--|---|
| E | 0 2 | 2 | 2 |
| E COMPA 2 Miniature Valves | 02 5/2 Sub-base mounting 04 5/2 Threaded body M5 05 5/3 C.C. Sub-base mounting 06 5/3 O.C. Sub-base mounting 07 5/3 P.C. Sub-base mounting 08 5/3 C.C. Threaded body M5 09 5/3 O.C. Threaded body M5 10 5/3 P.C. Threaded body M5 | 2 Electrical amplified DC 4 Pneumatic amplified 7 Electrical amplified DC/AC | 0 Pneumomechanical spring 2 Electrical amplified DC 4 Pneumatic amplified 7 Electrical amplified DC/AC |

PNEUMATIC IMPULSE

| | Code | Way | Control | Return | Weight |
|---------------------------------|------|-----|---------|--------|--------|
| | | | 12 | 14 | kg |
| SINGLE PNEUMATIC IMPULSE | | | | | |



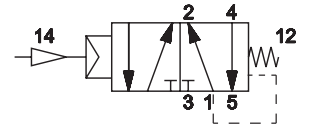
E-0240

5/2

pneumatic amplified

pneumatic + spring

0,068



PNEUMATIC IMPULSE BISTABLE



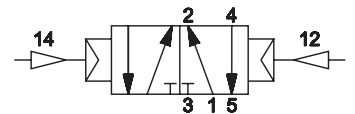
E-0244

5/2

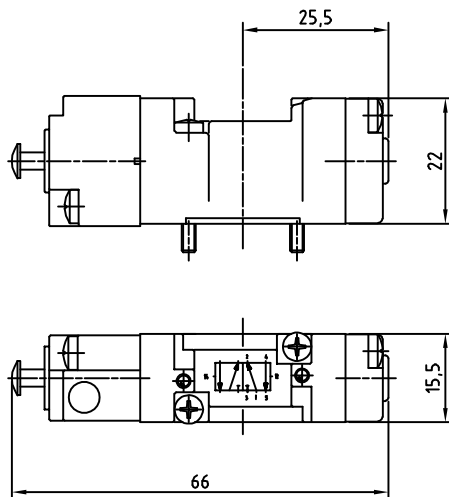
pneumatic amplified

pneumatic amplified

0,082

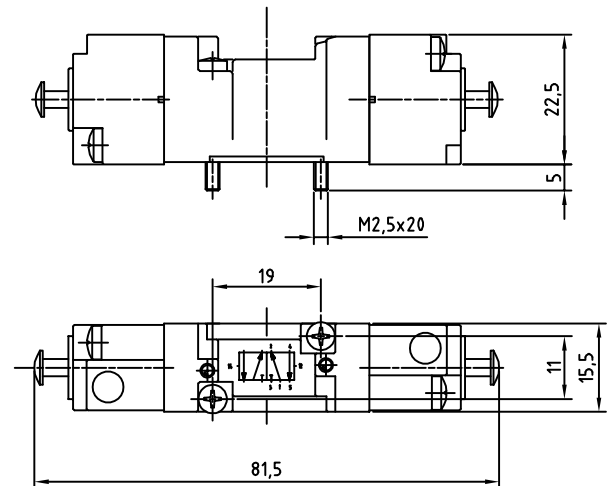


SINGLE PNEUMATIC IMPULSE



- 1 = Supply port
- 2 - 4 = Use
- 3 - 5 = Exhaust
- 14 = Control
- 12 = Return

PNEUMATIC IMPULSE BISTABLE

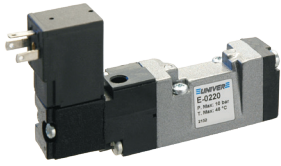


- 1 = Supply port
- 2 - 4 = Use
- 3 - 5 = Exhaust
- 14 = Control
- 12 = Return

ELECTRICAL IMPULSE

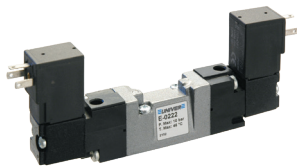
| | Code | Way | Control 12 | Return 14 | Weight kg | |
|--|------|-----|---------------|--------------|--------------|--|
|--|------|-----|---------------|--------------|--------------|--|

SINGLE ELECTRICAL IMPULSE



| | | | | | |
|---------------|-----|----------------------------|--------------------|-------|--|
| E-0220 | 5/2 | electrical amplified DC | pneumatic + spring | 0,066 | |
| E-0270 | 5/2 | electrical amplified DC/AC | pneumatic + spring | 0,066 | |

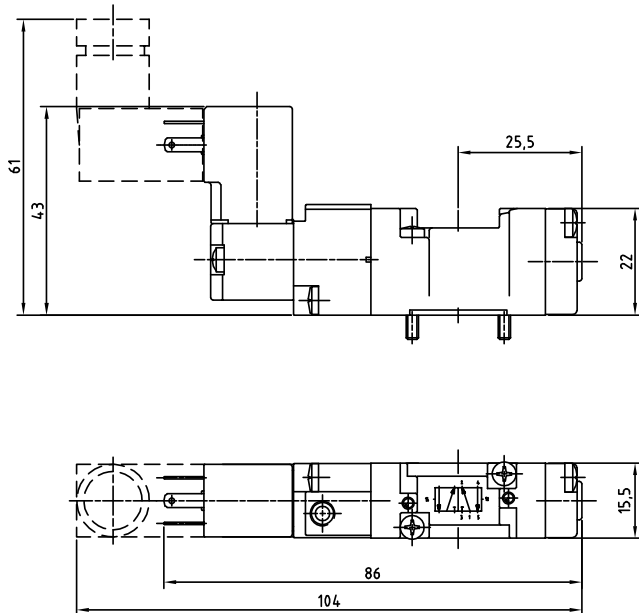
ELECTRICAL IMPULSE BISTABLE



| | | | | | |
|---------------|----------|----------------------------|----------------------|-------|--|
| E-0222 | 5/2 | electrical amplified DC | electrical amplified | 0,066 | |
| E-0277 | 5/2 | electrical amplified DC/AC | electrical amplified | 0,066 | |
| E-0522 | 5/3 C.C. | electrical amplified | electrical amplified | 0,066 | |
| E-0622 | 5/3 O.C. | electrical amplified | electrical amplified | 0,066 | |
| E-0722 | 5/3 C.P. | electrical amplified | electrical amplified | 0,066 | |

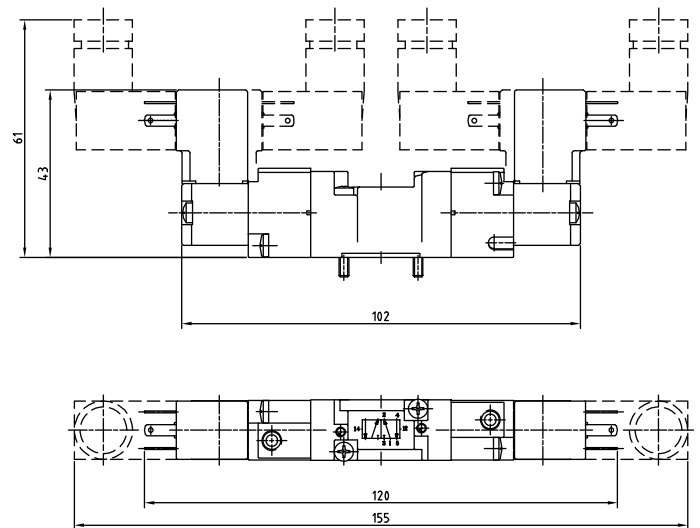
C.C. = closed centres O.C. = open centres P.C. = pressurized centres

SINGLE ELECTRICAL IMPULSE



- 1 = Supply port
- 2 - 4 = Use
- 3 - 5 = Exhaust
- 14 = Control
- 12 = Return


ELECTRICAL IMPULSE BISTABLE



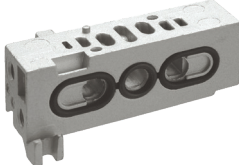
- 1 = Supply port
- 2 - 4 = Use
- 3 - 5 = Exhaust
- 14 = Control
- 12 = Return

The solenoid valves are supplied without coils


INLET PLATE

| | Code | Thread | Material | Weight Kg |
|---|--------|--------|----------|-----------|
|  | E-4500 | G1/8 | zama | 0,055 |

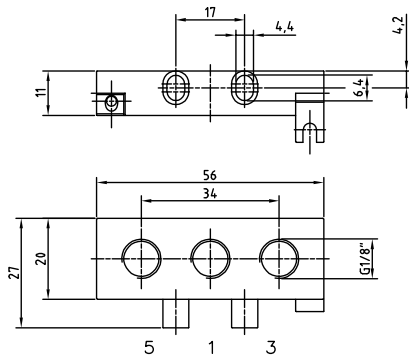
MANIFOLD SUB-BASE, THREADED CONNECTIONS

| | Code | Thread | Material | Weight Kg |
|---|--------|--------|----------|-----------|
|  | E-4500 | G1/8 | zama | 0,095 |

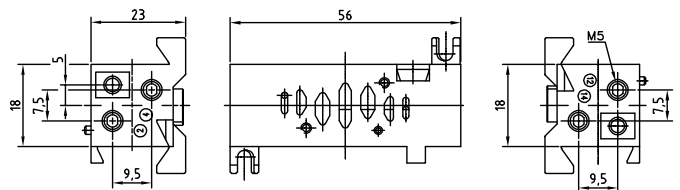
VALVE SEAT COVER PLATE

| | Code |
|---|--------|
|  | E-4600 |

INLET PLATE



MANIFOLD SUB-BASE, THREADED CONNECTIONS



The solenoid valves are supplied without coils or connectors

PNEUMATIC IMPULSE

| | Code | Way | Thread | Control | Return | Weight |
|--------------------------|------|-----|--------|---------|--------|--------|
| SINGLE PNEUMATIC IMPULSE | | | | 12 | 14 | kg |



E-0440

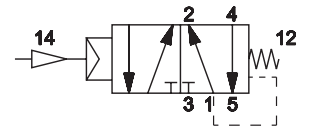
5/2

M5

pneumatic amplified

pneumatic + spring

0,068



PNEUMATIC IMPULSE BISTABLE



E-0444

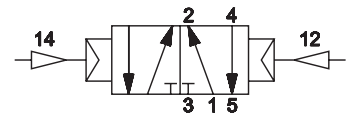
5/2

M5

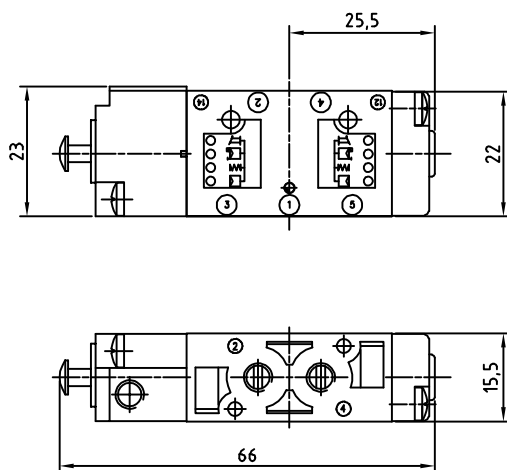
pneumatic amplified

pneumatic amplified

0,082

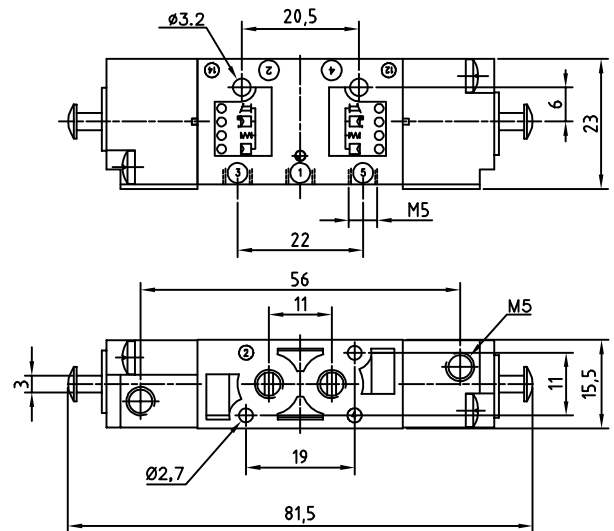


SINGLE PNEUMATIC IMPULSE



- 1 = Supply port
- 2 - 4 = Use
- 3 - 5 = Exhaust
- 14 = Control
- 12 = Return

PNEUMATIC IMPULSE BISTABLE

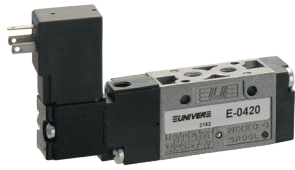


- 1 = Supply port
- 2 - 4 = Use
- 3 - 5 = Exhaust
- 14 = Control
- 12 = Return

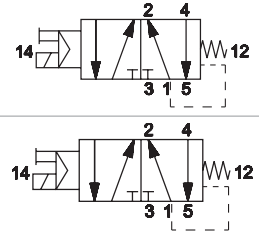
ELECTRIC IMPULSE

| | Code | Way | Thread | Control 12 | Return 14 | Weight kg | |
|--|------|-----|--------|---------------|--------------|--------------|--|
|--|------|-----|--------|---------------|--------------|--------------|--|

SINGLE ELECTRIC IMPULSE



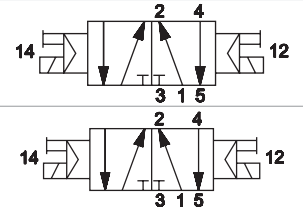
| | | | | | | |
|---------------|-----|----|----------------------------|--------------------|-------|--|
| E-0420 | 5/2 | M5 | Electrical amplified DC | pneumatic + spring | 0,082 | |
| E-0470 | 5/2 | M5 | Electrical amplified DC/AC | pneumatic + spring | 0,082 | |



IMPULSE ELECTRIC BISTABLE 5/2



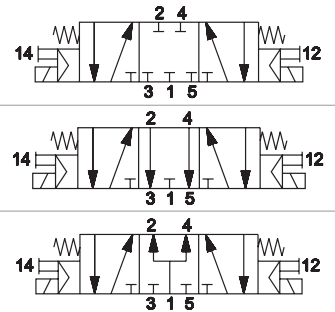
| | | | | | | |
|---------------|-----|----|----------------------------|----------------------|-------|--|
| E-0422 | 5/2 | M5 | Electrical amplified DC | Electrical amplified | 0,066 | |
| E-0477 | 5/2 | M5 | Electrical amplified DC/AC | Electrical amplified | 0,066 | |



IMPULSE ELECTRIC BISTABLE 5/3

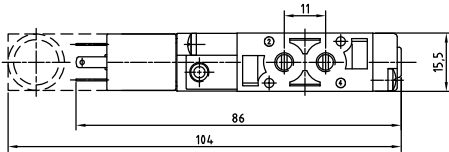
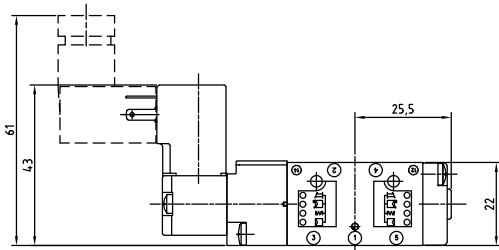


| | | | | | | |
|---------------|----------|----|----------------------|----------------------|-------|--|
| E-0822 | 5/3 C.C. | M5 | Electrical amplified | Electrical amplified | 0,066 | |
| E-0922 | 5/3 O.C. | M5 | Electrical amplified | Electrical amplified | 0,066 | |
| E-1022 | 5/3 P.C. | M5 | Electrical amplified | Electrical amplified | 0,066 | |



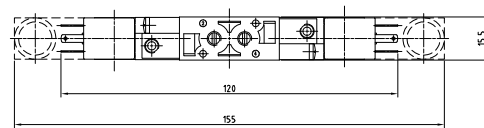
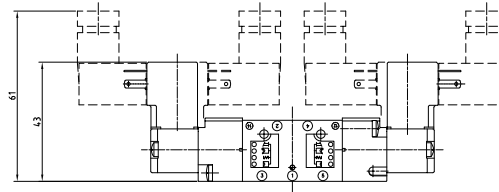
C.C. = closed centres O.C. = open centres P.C. = pressurized centres

SINGLE ELECTRIC IMPULSE



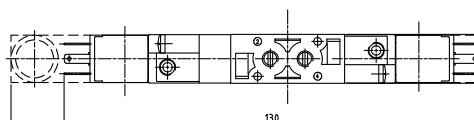
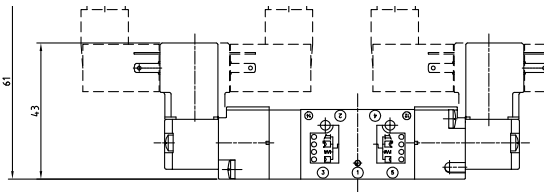
- 1 = Supply port
- 2 - 4 = Use
- 3 - 5 = Exhaust
- 14 = Control
- 12 = Return

IMPULSE ELECTRIC BISTABLE 5/3



- 1 = Supply port
- 2 - 4 = Use
- 3 - 5 = Exhaust
- 14 = Control
- 12 = Return

IMPULSE ELECTRIC BISTABLE 5/2



- 1 = Supply port
- 2 - 4 = Use
- 3 - 5 = Exhaust
- 14 = Control
- 12 = Return

The solenoid valves are supplied without coils or connectors

COIL

CSA/UL

Possibility of replacement without intervention in the pneumatic circuit

Other voltages available upon request

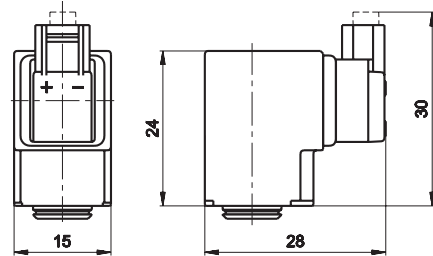
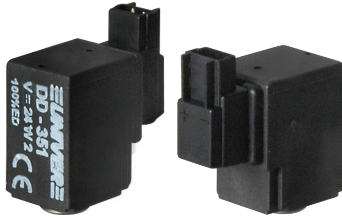
360° rotation on the pilot. Coil winding: H class

Ambient temperature: -10 ÷ +45 °C. Fluid temperature: -10 ÷ +95 °C.

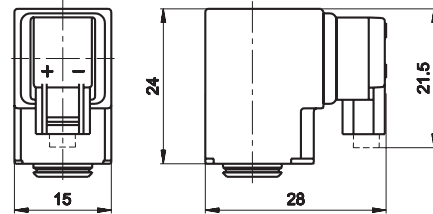
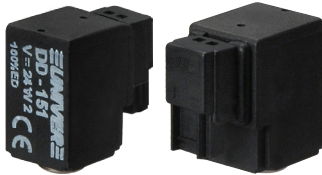
The solenoid valves functioning with 100V-230V must be incorporated (EN60204-1)

Under continuous service a maximum temperature will not compromise the functioning of the coil provided that the working position is ventilated.

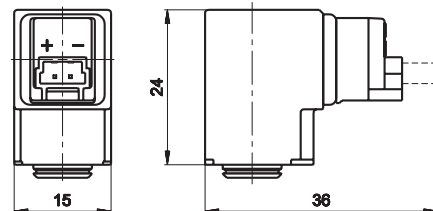
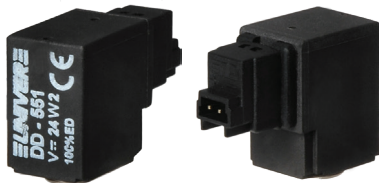
Protection class IP65, if used with connector.


U05 COIL WITH INTEGRATED 90° UPWARD CONNECTOR


| Code | Duty cycle ED % | Power consumption W | | Tension tolerance % | Rated voltage | Weight Kg |
|---------------|-----------------|---------------------|--------|---------------------|---------------|-----------|
| | | Hold | Inrush | | | |
| DD-351 | 100 | 2 | 2 | ±10 | 24 V DC | 0,019 |

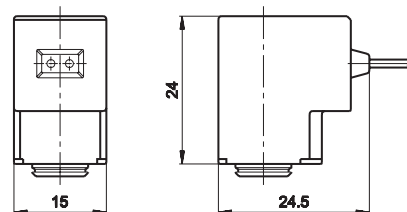
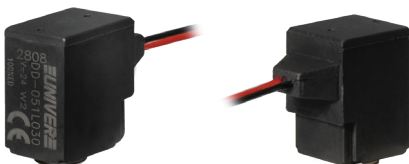
U05 COIL WITH INTEGRATED 90° DOWNWARD CONNECTOR


| Code | Duty cycle ED % | Power consumption W | | Tension tolerance % | Rated voltage | Weight Kg |
|---------------|-----------------|---------------------|--------|---------------------|---------------|-----------|
| | | Hold | Inrush | | | |
| DD-151 | 100 | 2 | 2 | ±10 | 24 V DC | 0,019 |

U05 COIL WITH IN-LINE CONNECTOR


| Code | Duty cycle ED % | Power consumption W | | Tension tolerance % | Rated voltage | Weight Kg |
|---------------|-----------------|---------------------|--------|---------------------|---------------|-----------|
| | | Hold | Inrush | | | |
| DD-551 | 100 | 2 | 2 | ±10 | 24 V DC | 0,019 |

Upon request: version with LED and V DC version

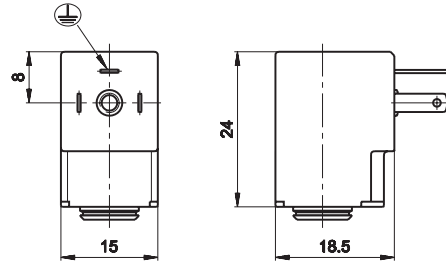
U05 COIL WITH LOOSE CABLES (LENGTH 300 MM)


| Code | Duty cycle ED % | Power consumption W | | Tension tolerance % | Rated voltage | Weight Kg |
|-------------------|-----------------|---------------------|--------|---------------------|---------------|-----------|
| | | Hold | Inrush | | | |
| DD-051L030 | 100 | 2 | 2 | ±10 | 24 V DC | 0,019 |
| DD-052L030 | 100 | 2,5 | 2,5 | ±10 | 24 V DC | 0,019 |

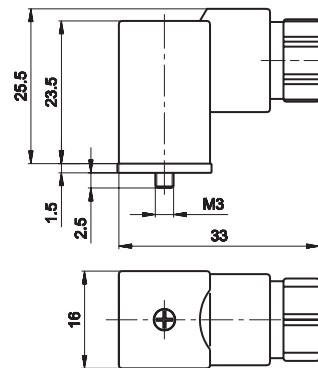
WARNING! Do not invert the polarity when connecting the coil with LED.

Upon request version with LED

Under continuous service a maximum temperature will not compromise the functioning of the coil provided that the working position is ventilated

U05 15 MM COIL - FASTON


| Code | Duty cycle ED% | Power consumption W | | | | Tolerance tension % | | Rated voltage | | Frequency HZ | Weight Kg |
|--------|----------------|---------------------|--------|-------|--------|---------------------|-----|---------------|-----|--------------|-----------|
| | | DC W | | AC VA | | DC | AC | DC | AC | | |
| | | Hold | Inrush | Hold | Inrush | | | | | | |
| DD-013 | 100 | - | - | 3,5 | - | - | ±10 | - | 230 | 50/60 | 0,019 |
| DD-040 | 100 | - | - | 2,3 | 3,2 | - | ±10 | - | 24 | 50/60 | 0,019 |
| DD-041 | 100 | 2 | 2 | - | - | ±10 | - | 12 | - | - | 0,019 |
| DD-042 | 100 | 2,5 | 2,5 | - | - | ±10 | - | 12 | - | - | 0,019 |
| DD-050 | 100 | - | - | 2,3 | 3,2 | ±10 | - | - | 48 | 50/60 | 0,019 |
| DD-051 | 100 | 2 | 2 | - | - | ±10 | - | 24 | - | - | 0,019 |
| DD-052 | 100 | 2,5 | 2,5 | - | - | ±10 | - | 24 | - | - | 0,019 |
| DD-060 | 100 | - | - | - | - | - | ±10 | - | 110 | 50/60 | 0,019 |
| DD-070 | 100 | - | - | 2,3 | 3,2 | - | - | - | 230 | 50/60 | 0,019 |

CONNECTORS 15 MM


| Code | Coils series | Protection according | Cable connection | Orientation |
|---------|--------------|----------------------|------------------|-------------|
| AM-5109 | U05 | IP65 | PG9 | 180° |

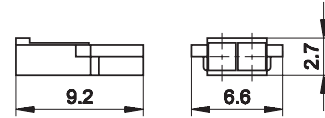
Available on request with indicator light

WARNING! Do not invert the polarity when connecting the coil with LED.

Upon request version with LED

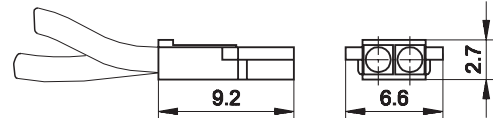
Under continuous service a maximum temperature will not compromise the functioning of the coil provided that the working position is ventilated

MINIATURE CONNECTOR WITHOUT WIRES



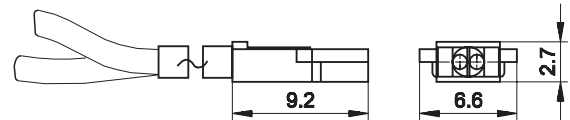
| Code | Length (mm) | Coil |
|-------|-------------|------------|
| D-500 | - | Series U05 |

MINIATURE CONNECTOR WITH LOOSE CABLES



| Code | Length (mm) | Coil |
|-----------|-------------|------------|
| D-530-30 | 300 | Series U05 |
| D-530-50 | 500 | SeriesU05 |
| D-530-200 | 2000 | Serie sU05 |

MINIATURE CONNECTOR WITH CABLE



| Code | Length (mm) | Coil |
|-----------|-------------|------------|
| D-535-30 | 300 | Series U05 |
| D-535-50 | 500 | SeriesU05 |
| D-535-200 | 2000 | Series U05 |

WARNING! Do not invert the polarity when connecting the coil with LED.

Upon request version with LED

Under continuous service a maximum temperature will not compromise the functioning of the coil provided that the working position is ventilated

IMPULSE MECHANICAL AND MANUAL

| | Code | Way | Thread | Control 12 | Return 14 | Colour of lever | Peso kg | |
|--|------|-----|--------|---------------|--------------|-----------------|------------|--|
|--|------|-----|--------|---------------|--------------|-----------------|------------|--|

BISTABLE LEVER VALVE



| | | | | | | | |
|-----------------|-----|----|-------|----------------|--------|-------|--|
| E-15422G | 5/2 | M5 | lever | lever latching | YELLOW | 0,068 | |
| E-15422N | 5/2 | M5 | lever | lever latching | BLACK | 0,068 | |
| E-15422R | 5/2 | M5 | lever | lever latching | RED | 0,068 | |

BISTABLE SLIDE VALVE



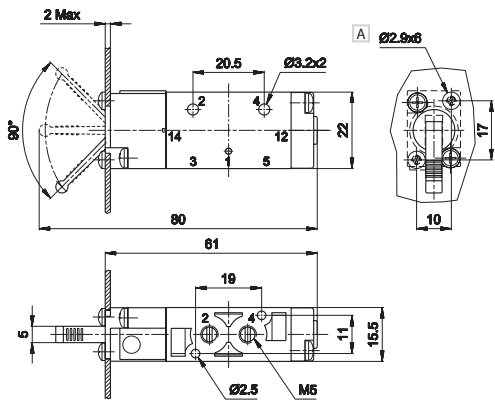
| | | | | | | | |
|-----------------|-----|----|-----------|----------------------------|-------|-------|--|
| E-15420 | 5/2 | M5 | push-pull | push-pull | BLACK | 0,082 | |
| E-15420A | 5/2 | M5 | push-pull | mechanical spring latching | BLACK | 0,082 | |

BALL VALVE



| | | | | | | | |
|-----------------|-----|----|-----------|-------------------|---|-------|--|
| E-15402A | 5/2 | M5 | push-pull | mechanical spring | - | 0,066 | |
|-----------------|-----|----|-----------|-------------------|---|-------|--|

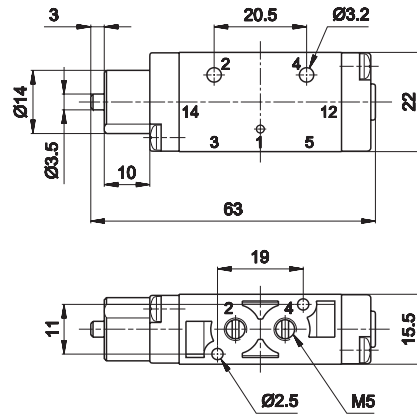
BISTABLE LEVER VALVE



Ⓐ Nr. 2 screws for plastic

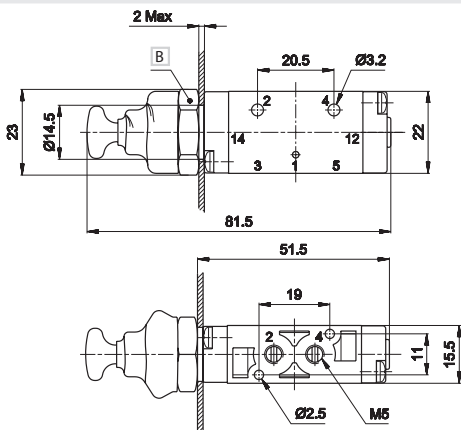
- 1 = Supply port
- 2 - 4 = Use
- 3 - 5 = Exhaust
- 14 = Control
- 12 = Return

BALL VALVE



- 1 = Supply port
- 2 - 4 = Use
- 3 - 5 = Exhaust
- 14 = Control
- 12 = Return

BISTABLE SLIDE VALVE



Ⓑ Wrench 20

- 1 = Supply port
- 2 - 4 = Use
- 3 - 5 = Exhaust
- 14 = Control
- 12 = Return

The solenoid valves are supplied without coils or connectors

IMPULSE MECHANICAL AND MANUAL

| Code | Way | Thread | Control | Return | Weight |
|------|-----|--------|---------|--------|--------|
| | | | 12 | 14 | kg |

BALL PUSH VALVE FOR MECHANICAL SCREW OFORATION



E-15403A

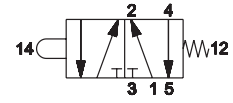
5/2

M5

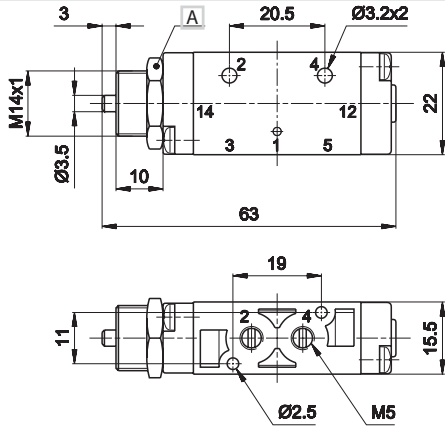
ball-pushrod

mechanical spring

0,066



BALL PUSH VALVE FOR MECHANICAL SCREW OFORATION



- A] Wrench 17
 1 = Supply port
 2 - 4 = Use
 3 - 5 = Exhaust
 14 = Control
 12 = Return

PNEUMATIC AND MECHANICAL ACTUATORS

| | | | |
|--|---------|--|--|
| | AI-3550 | Pneumatic operator | |
| | AI-3551 | Amplified pneumatic operator | |
| | AI-3560 | Roller operator 1 position | |
| | AI-3562 | Ball-push operator 1 position | |
| | AI-3563 | Operator with omni-directional antenna 1 position | |
| | AI-3570 | Roller lever operator 1 position | |
| | AI-3571 | Articulated roller operator 1 position Complete actuation with stroke 2,5 mm, max stroke 4,7 mm | |
| | AI-3572 | Key operator 1 position | |

MANUAL ACTUATORS

| | | | | |
|--|----------|-------|---------------------------------------|--|
| | AI-3511 | BLACK | Recessed button | |
| | AI-3512 | RED | | |
| | AI-3513 | GREEN | | |
| | AI-3514 | RED | Head button | |
| | AI-3516 | BLACK | | |
| | AI-3514D | RED | | |
| | AI-3516D | BLACK | Button | |
| | AI-3515 | GREEN | | |
| | AI-3517 | RED | | |
| | AI-3519 | BLACK | Accident prevention rotating selector | |
| | AI-3520 | BLACK | | |
| | AI-3521 | BLACK | | |
| | AI-3522 | BLACK | Rotating lever selector | |
| | AI-3523 | BLACK | | |
| | AI-3524 | BLACK | Lever operator | |
| | AI-3525 | BLACK | Omni-directional operator | |
| | AI-3526 | BLACK | Push-pull operator | |

IMPULSE MECHANICAL AND MANUAL

| Code | Way | Thread | Control | Return | Weight |
|------|-----|--------|---------|--------|--------|
| | | | 12 | 14 | kg |

BALL VALVE FOR MECHANICAL CONTROL FROM A CONTROL PANEL



E-15403A

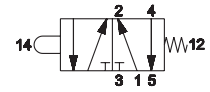
5/2

M5

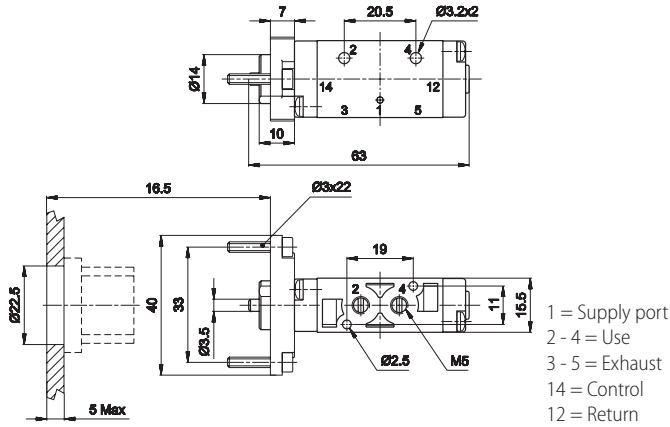
ball-push

mechanical spring

0,066



BALL VALVE FOR MECHANICAL CONTROL FROM A CONTROL PANEL



ATTUATORI MANUALI

| | | | | |
|--|-----------|-------|---------------------------------------|--|
| | AI-3511Q | BLACK | Recessed button | |
| | AI-3512Q | RED | | |
| | AI-3513Q | GREEN | | |
| | AI-3514Q | RED | Head button | |
| | AI-3516Q | BLACK | | |
| | AI-3514QD | RED | | |
| | AI-3516QD | BLACK | | |
| | AI-3515Q | GREEN | Button | |
| | AI-3517Q | RED | | |
| | AI-3519Q | BLACK | | |
| | AI-3520Q | BLACK | Accident prevention rotating selector | |
| | AI-3521Q | BLACK | | |
| | AI-3522Q | BLACK | Rotating lever selector | |
| | AI-3523Q | BLACK | | |
| | AI-3524Q | BLACK | Lever operator | |
| | AI-3525Q | BLACK | Omni-directional operator | |
| | AI-3526Q | BLACK | Push-pull operator | |