



panel-mounted push-button valves 3/2 - 5/2 - 5/3

- Compact and lightweight (small dimensions)
- Minimal operating force and high response speed
- M5 threaded connections or Ø4 quick-connect hose fittings
- Wide range of original Univer actuators and manual controls for panel mounting



| | |
|----------------------------|---|
| Fluid | filtered air 50 µm, with or without lubrication |
| Temperature ambient | -10 ÷ +90°C |
| Temperature fluid | max +50°C |
| Commutation system | poppet |
| Way/Position | 2/2 NC, 3/2 NC, 3/2 NO, 5/2, 5/3 |
| Pressure | Max 10 bar |
| Control | manual, mechanical |
| Return | mechanical spring |
| Connections | M5, tube Ø4 |
| Nominal bore (mm) | 2,5 mm |
| Nominal flow rate (NI/min) | 70 NI/min |
| Valve body | zamak |
| Seals | NBR |
| Spool | nickel-plated brass |



Riference standard

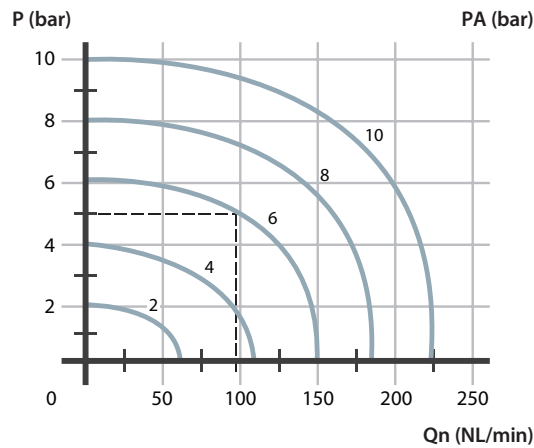
II 2G Ex h IIC T5 Gb



II 2D Ex h IIIC T100°C Db

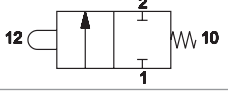
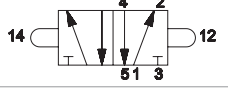
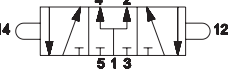


FLOW RATE CHARACTERISTICS



P (bar) = Working pressure
 PA (bar) = Supply pressure
 Qn (NL/min) = Flow rate

MECHANICAL PUSH BUTTON FOR PANEL MOUNTING - TUBE Ø4

| | Code | Way | Connection | Weight Kg | |
|---|----------|----------|------------|--------------|---|
|  | AI-9500B | 3/2 NC | tubo Ø4 | 1,45 |  |
| | AI-9510B | 3/2 NO | tubo Ø4 | 1,37 |  |
| | AI-9520B | 2/2 NC | tubo Ø4 | 1,52 |  |
|  | AI-9550B | 5/2 | tubo Ø4 | 0,15 |  |
| | AI-9560B | 5/3 O.C. | tubo Ø4 | 0,15 |  |
| | AI-9570B | 5/3 P.C. | tubo Ø4 | 0,15 |  |

O.C. = open centres P.C. = pressurized centres

MECHANICAL PUSH BUTTON FOR PANEL MOUNTING - M5

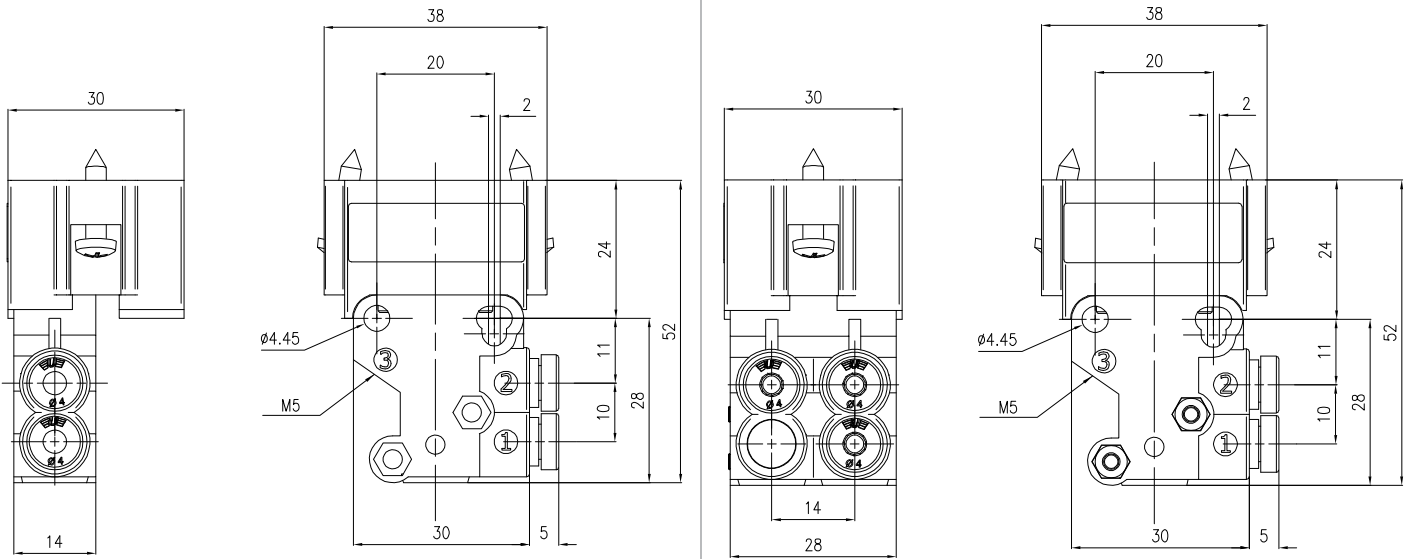
| | Code | Way | Connection | Weight Kg | |
|---|-----------|----------|------------|--------------|---|
|  | AI-9500BM | 3/2 NC | M5 | 0,075 |  |
| | AI-9510BM | 3/2 NO | M5 | 0,075 |  |
| | AI-9520BM | 2/2 NC | M5 | 0,075 |  |
|  | AI-9550BM | 5/2 | M5 | 0,15 |  |
| | AI-9560BM | 5/3 O.C. | M5 | 0,15 |  |
| | AI-9570BM | 5/3 P.C. | M5 | 0,15 |  |

O.C. = open centres P.C. = pressurized centres

TUBE Ø4

2/2 - 3/2

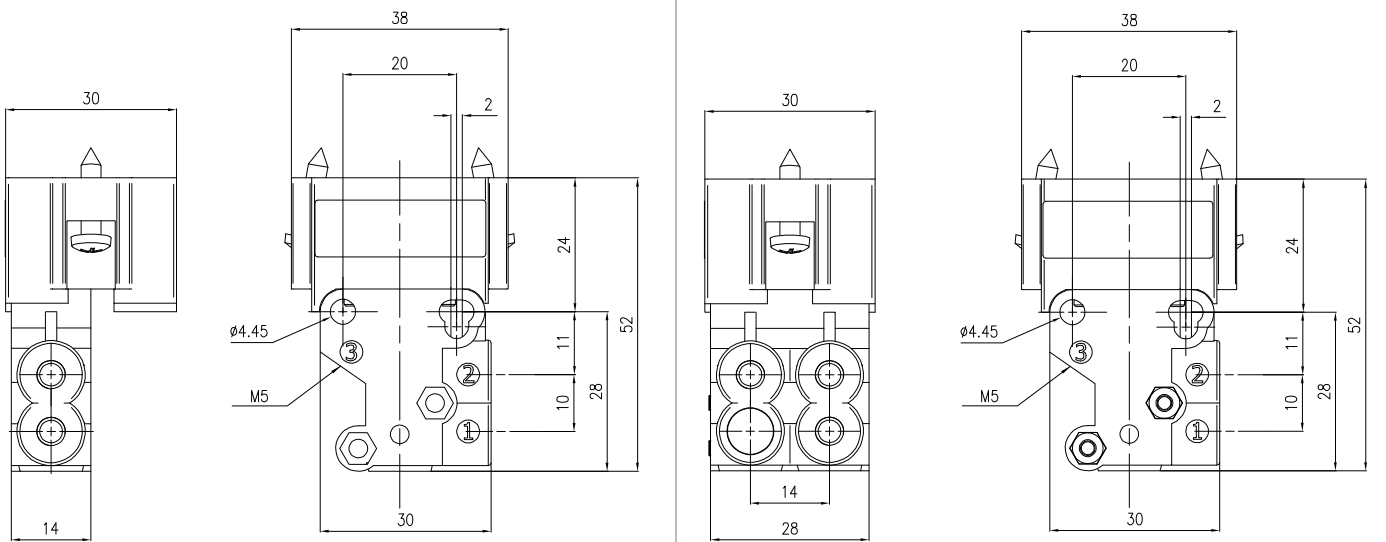
5/2 - 5/3



M5

2/2 - 3/2

5/2 - 5/3



MANUAL ACTUATORS

| | | | | |
|--|---|---------|--------------------------|--|
| | AI-35B10N | ■ BLACK | Recessed button | |
| | AI-35B10R | ■ RED | | |
| | AI-35B10V | ■ GREEN | | |
| | AI-35B11N | ■ BLACK | Protruding button | |
| | AI-35B11R | ■ RED | | |
| | AI-35B11V | ■ GREEN | | |
| | AI-35B13N | ■ BLACK | Two-position head button | |
| | AI-35B13R | ■ RED | | |
| | AI-35B20 2 steady positions | ■ BLACK | Short lever selector | |
| | AI-35B21 3 unsteady positions | ■ BLACK | | |
| | AI-35B22 3 steady positions | ■ BLACK | | |
| | AI-35B25 2 steady positions | ■ BLACK | Long lever selector | |
| | AI-35B26 3 unsteady positions | ■ BLACK | | |
| | AI-35B27 3 steady positions | ■ BLACK | | |
| | AI-35B30 2 steady positions | ■ BLACK | Key selector | |
| | AI-35B31 3 unsteady positions | ■ BLACK | | |
| | AI-35B32 3 steady positions | ■ BLACK | | |