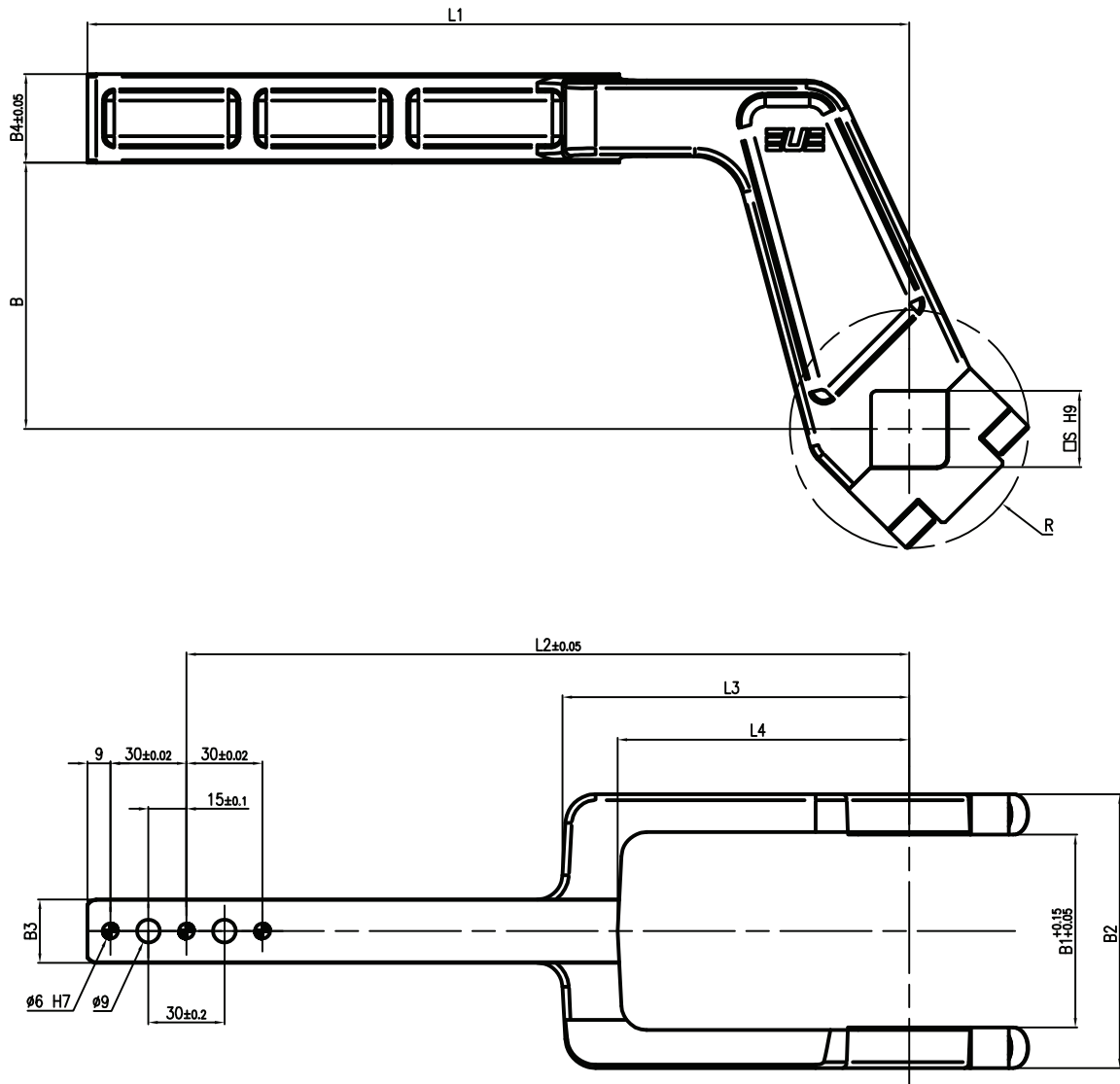


LKP010-2707/2708/2709

□ 30 mm - offset 105 mm



Artikelnr.	B	B1	B2	B3	B4	L1	L2	L3	L4	R	S	Material
LKP010-2707	105	76	108	25	35	204	165	135	115	47	30	Stahl
LKP010-2708	105	76	108	25	35	264	225	135	115	47	30	Stahl
LKP010-2709	105	76	108	25	35	324	285	135	115	47	30	Stahl