

LAGP080

Pneumatic power pivot



L	A	G	P	0	8	0	V	E	0	9	0	B	C	
1	2	3	4	5	6	7	8	9						

1 Series	2 Version	3 Size
-----------------	------------------	---------------

LAG = Power pivot with predeterminate pivot rotation angles

P = Pneumatic-standard

080 = Ø 80 mm cylinder

4 Table position	5 Sensor	6 Pivot rotation angles
-------------------------	-----------------	--------------------------------

V = Vertical 180°
O = Horizontal 90°
Z = Vertical, mirror of V position
 Max opening angle 120°
P = Horizontal, mirror of O position
 Max opening angle 60°

E = Electronic sensor with M12 swivel connector
A = Electronic sensor with M12 swivel connector + electronic sensor for brake condition detection

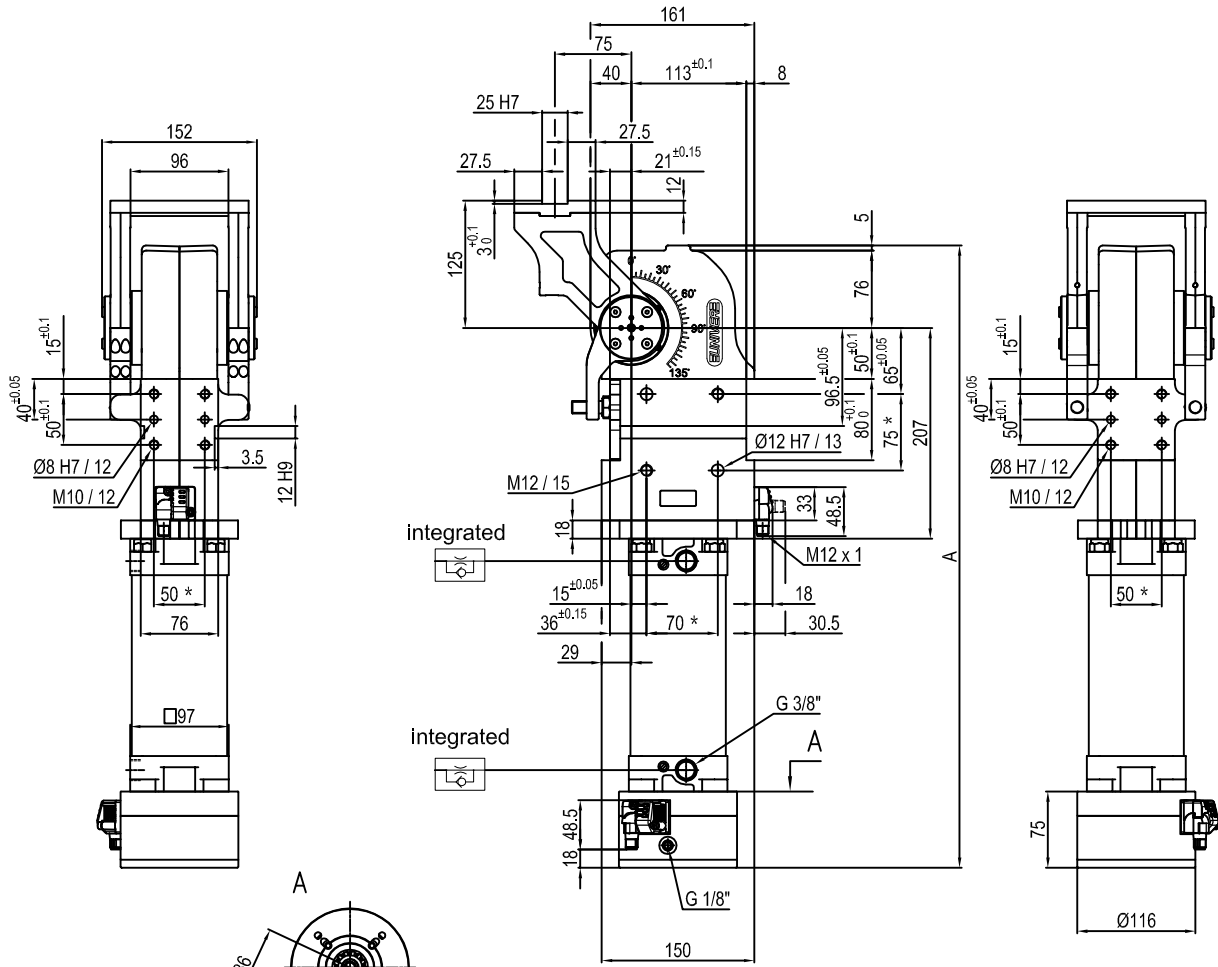
120 = 120°
090 = 90°
060 = 60°
045 = 45°

7 Brake system	8 Valve	9 Connections
-----------------------	----------------	----------------------

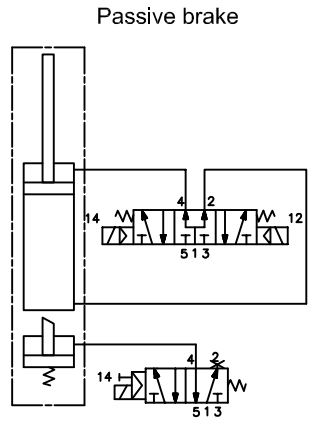
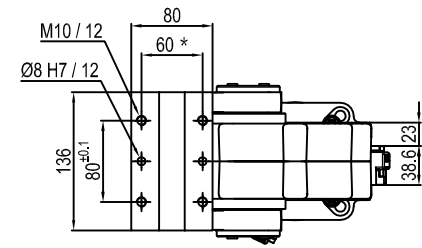
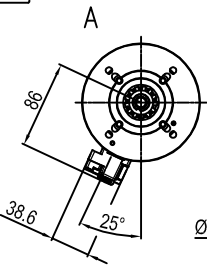
B = With brake
W = Without brake

C = Integrated valve for cycle time optimization

_ = If not specified, on the left side (sensor left side)
D = Right side (sensor right side)
F = Front side (in front of the sensor)
P = Rear side (same side as sensor)



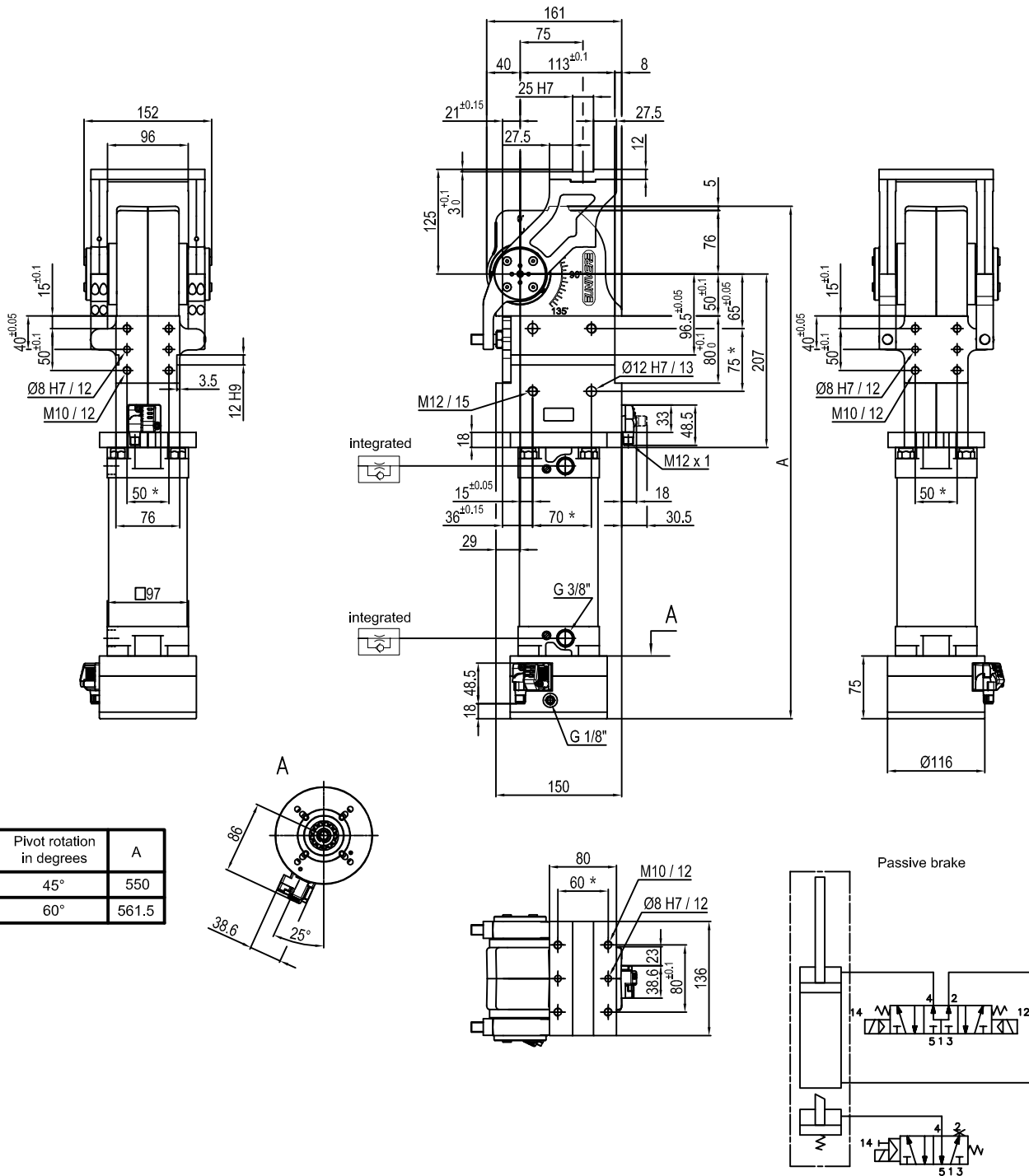
Pivot rotation in degrees	A
45°	550
60°	561.5
90°	586.5
120°	611.5



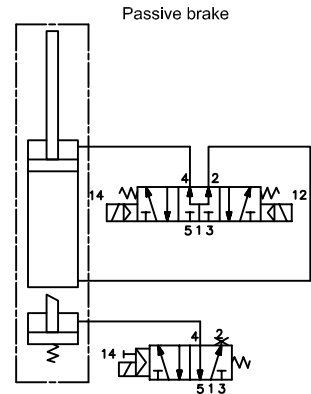
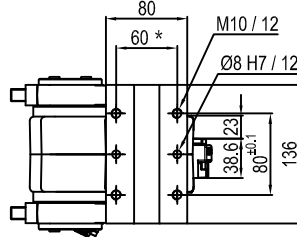
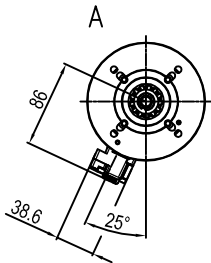
Size	Holding moment	Max. torque at the rotary table 0,55 MPa	Weight
80	4000 Nm	60 Nm	18 Kg

Min./Max. operating pressure: **0,4 / 0,6 MPa**
 Operating temperature: **5° + 45° C**
 Predetermine pivot rotation in degrees: **45° - 60° - 90° - 120°**
 Electronic sensor with M12 swivel connector that can be orientated at 0° or 90°
 Supply voltage: 10+30 V DC
 IP code: **IP 65**

* : TOLERANCE BETWEEN DOWEL HOLES ± 0.02, TO SCREW HOLES ± 0.1



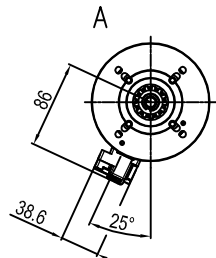
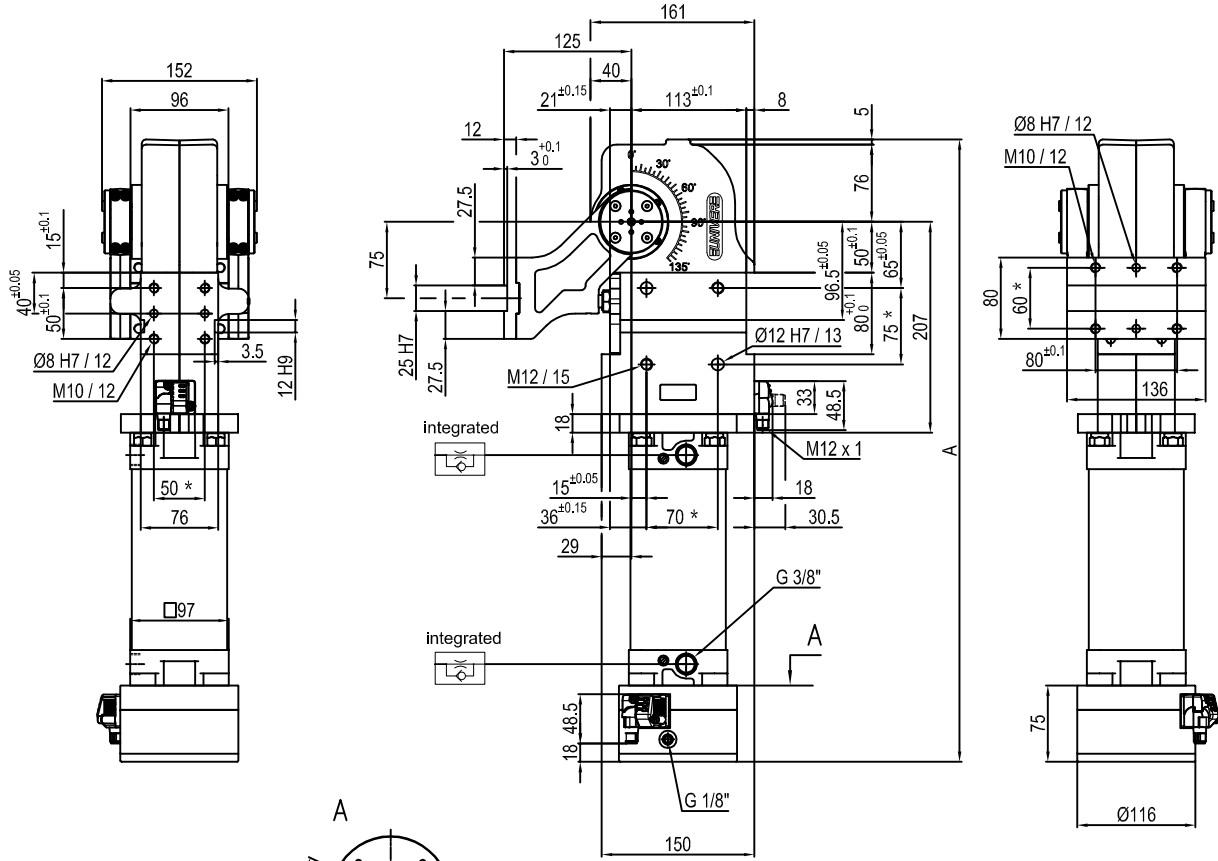
Pivot rotation in degrees	A
45°	550
60°	561.5



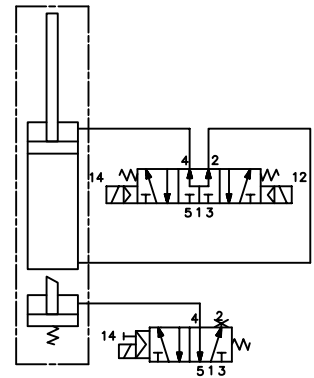
Size	Holding moment	Max. torque at the rotary table 0,55 MPa	Weight
80	4000 Nm	60 Nm	18 Kg

Min./Max. operating pressure: **0,4 / 0,6 MPa**
 Operating temperature: **5° + 45° C**
 Predetermine pivot rotation in degrees: **45° - 60°**
 Electronic sensor with M12 swivel connector that can be orientated at 0° or 90°
 Supply voltage: 10÷30 V DC
 IP code: **IP 65**

* : TOLERANCE BETWEEN DOWEL HOLES ± 0.02, TO SCREW HOLES ± 0.1



Passive brake

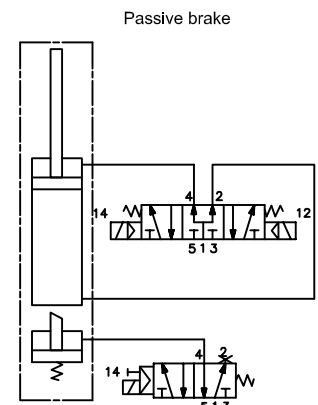
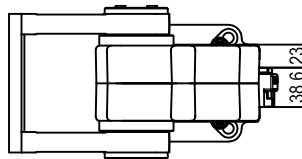
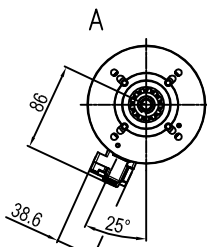
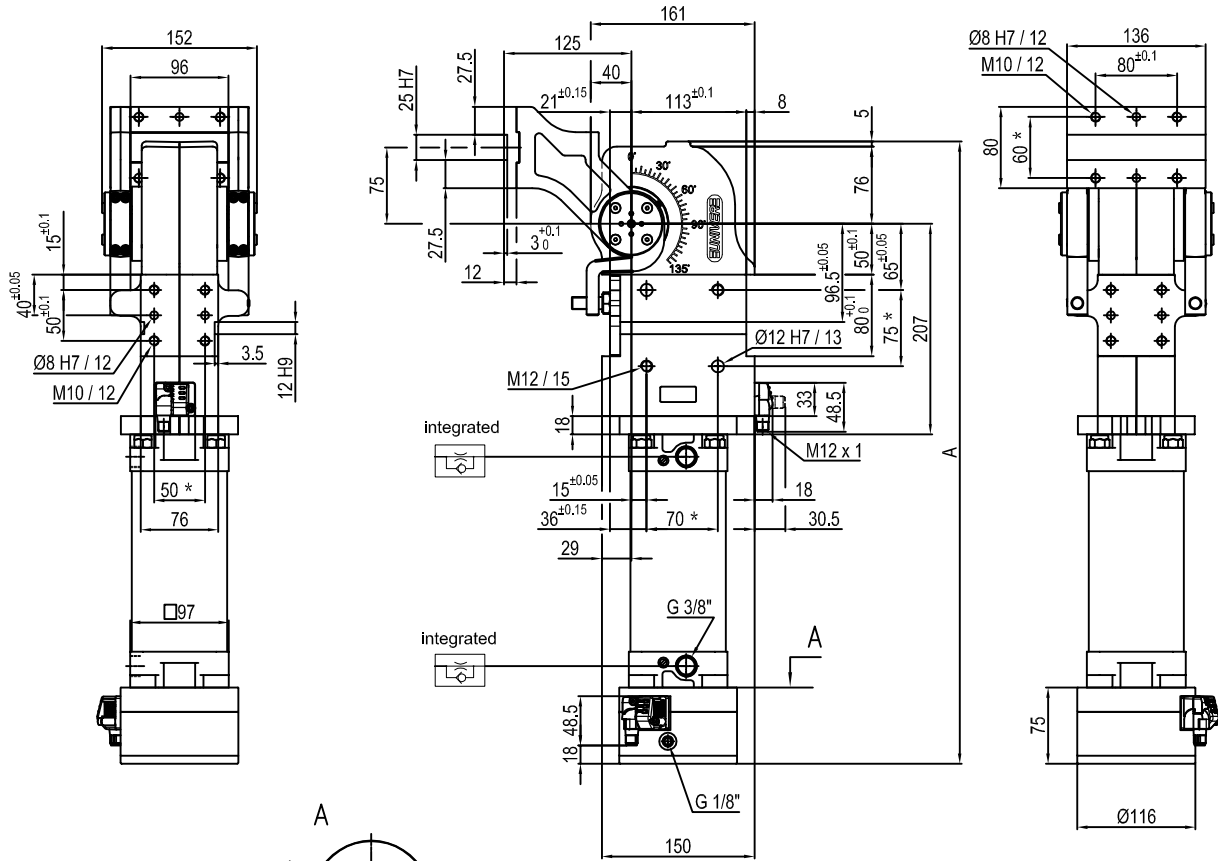


Pivot rotation in degrees	A
45°	550
60°	561.5
90°	586.5
120°	611.5

Size	Holding moment	Max. torque at the rotary table 0,55 MPa	Weight
80	4000 Nm	60 Nm	18 Kg

Min./Max. operating pressure: **0,4 / 0,6 MPa**
 Operating temperature: **5° ÷ 45° C**
 Predetermine pivot rotation in degrees: **45° - 60° - 90° - 120°**
 Electronic sensor with M12 swivel connector that can be orientated at 0° or 90°
 Supply voltage: 10÷30 V DC
 IP code: **IP 65**

* : TOLERANCE BETWEEN DOWEL HOLES ± 0.02, TO SCREW HOLES ± 0.1

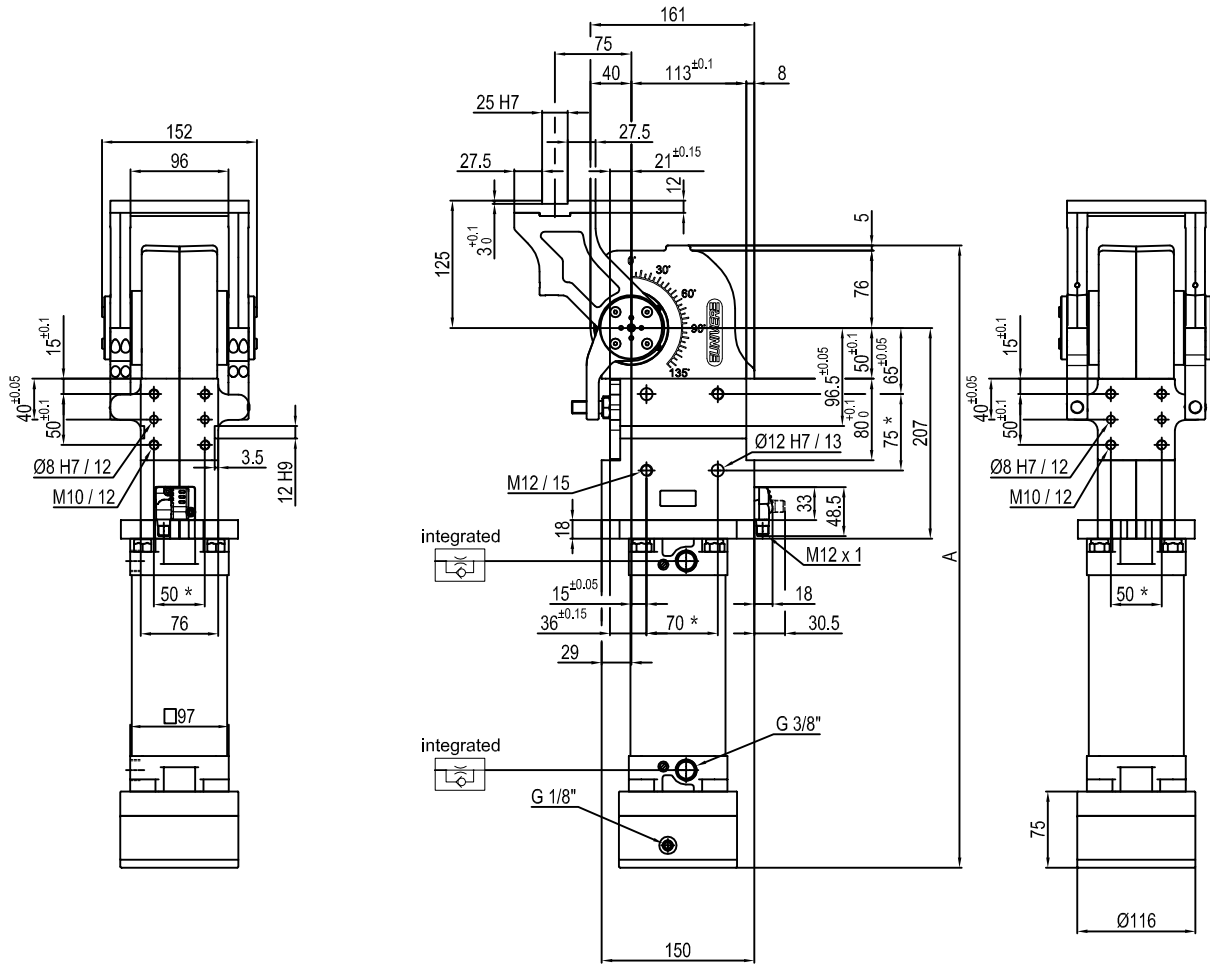


Pivot rotation in degrees	A
45°	550
60°	561.5
90°	586.5
120°	611.5

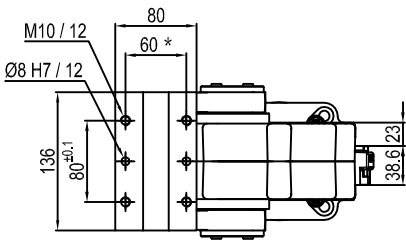
Size	Holding moment	Max. torque at the rotary table 0,55 MPa	Weight
80	4000 Nm	60 Nm	18 Kg

Min./Max. operating pressure: **0,4 / 0,6 MPa**
 Operating temperature: **5° + 45° C**
 Predetermine pivot rotation in degrees: **45° - 60° - 90° - 120°**
 Electronic sensor with M12 swivel connector that can be orientated at 0° or 90°
 Supply voltage: 10±30 V DC
 IP code: **IP 65**

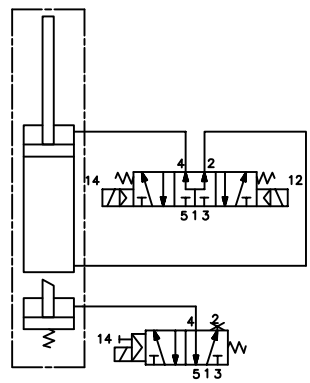
* : TOLERANCE BETWEEN DOWEL HOLES ± 0,02, TO SCREW HOLES ± 0,1



Pivot rotation in degrees	A
45°	550
60°	561.5
90°	586.5
120°	611.5



Passive brake

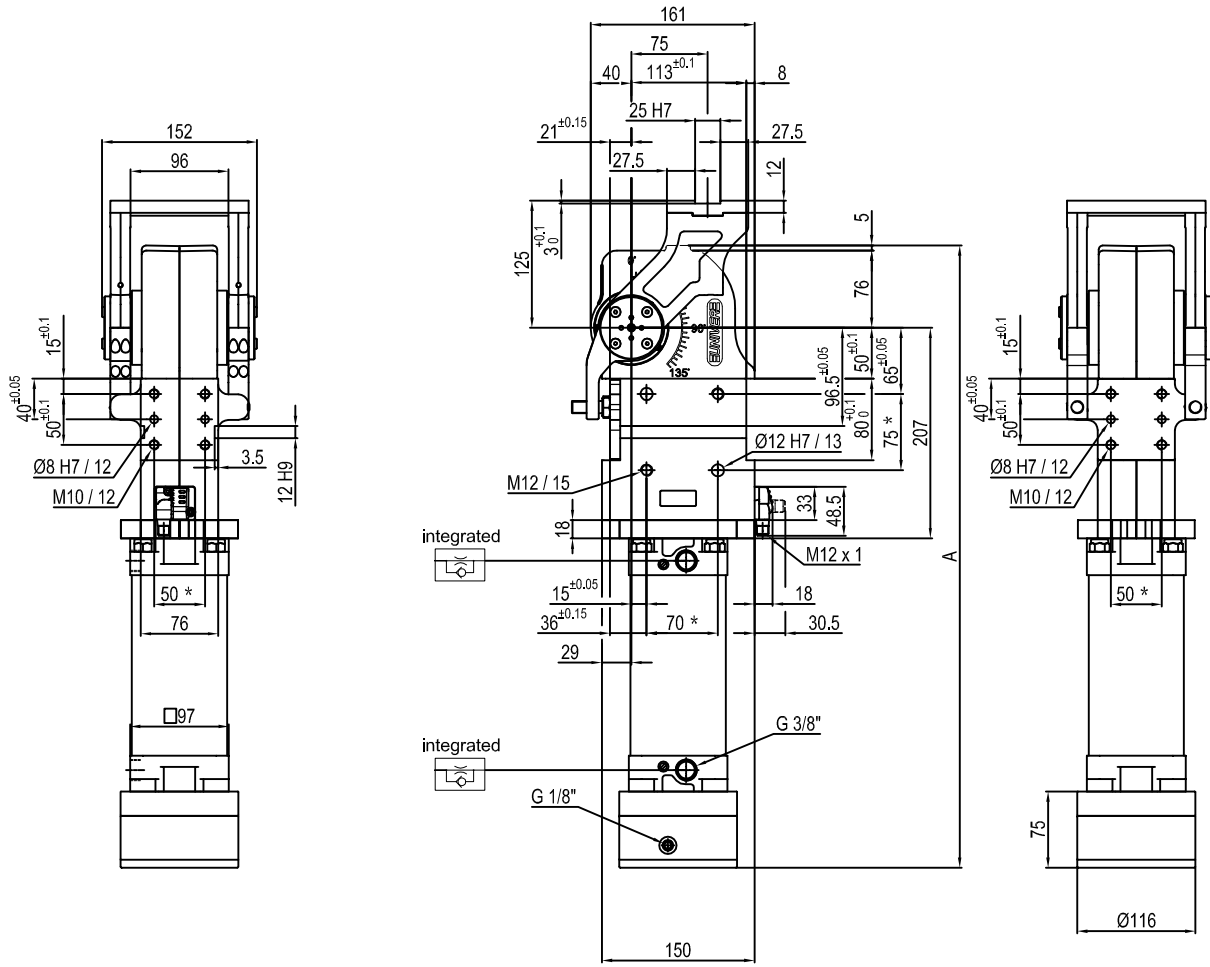


Size	Holding moment	Max. torque at the rotary table 0,55 MPa	Weight
80	4000 Nm	60 Nm	18 Kg

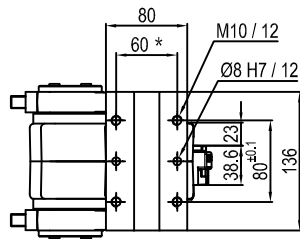
Min./Max. operating pressure: **0,4 / 0,6 MPa**
 Operating temperature: **5° ± 45° C**
 Predeterminate pivot rotation in degrees: **45° - 60° - 90° - 120°**
 Electronic sensor with M12 swivel connector that can be orientated at 0° or 90°
 Supply voltage: 10÷30 V DC
 IP code: **IP 65**

* : TOLERANCE BETWEEN DOWEL HOLES ± 0.02, TO SCREW HOLES ± 0.1

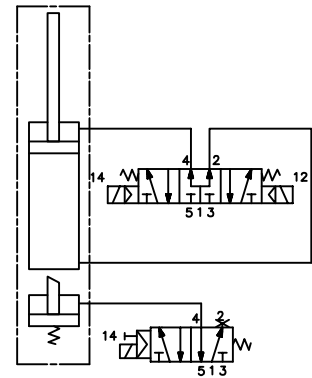
Subject to technical modifications without notice.



Pivot rotation in degrees	A
45°	550
60°	561.5



Passive brake



Size	Holding moment	Max. torque at the rotary table 0,55 MPa	Weight
80	4000 Nm	60 Nm	18 Kg

Min./Max. operating pressure: **0,4 / 0,6 MPa**

Operating temperature: **5° + 45° C**

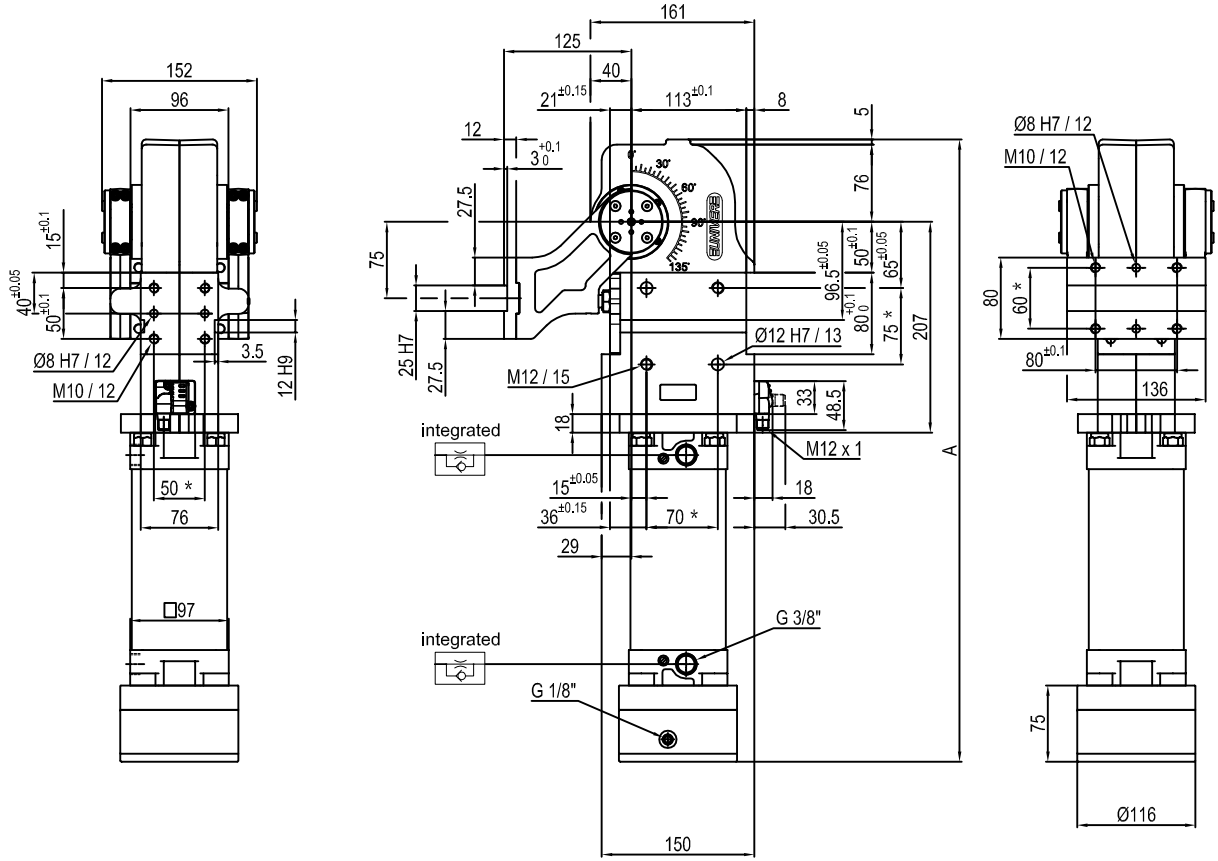
Predeterminate pivot rotation in degrees: **45° - 60°**

Electronic sensor with M12 swivel connector that can be orientated at 0° or 90°

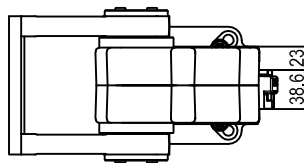
Supply voltage: 10÷30 V DC

IP code: **IP 65**

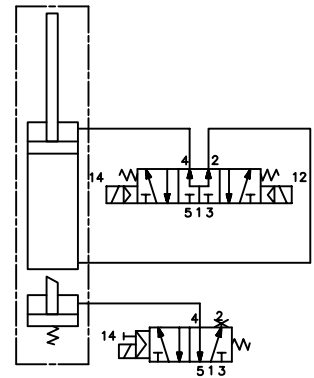
* : TOLERANCE BETWEEN DOWEL HOLES ± 0.02, TO SCREW HOLES ± 0.1



Pivot rotation in degrees	A
45°	550
60°	561.5
90°	586.5
120°	611.5



Passive brake



Size	Holding moment	Max. torque at the rotary table 0,55 MPa	Weight
80	4000 Nm	60 Nm	18 Kg

Min./Max. operating pressure: 0,4 / 0,6 MPa

Operating temperature: 5° + 45° C

Predetermine pivot rotation in degrees: 45° - 60° - 90° - 120°

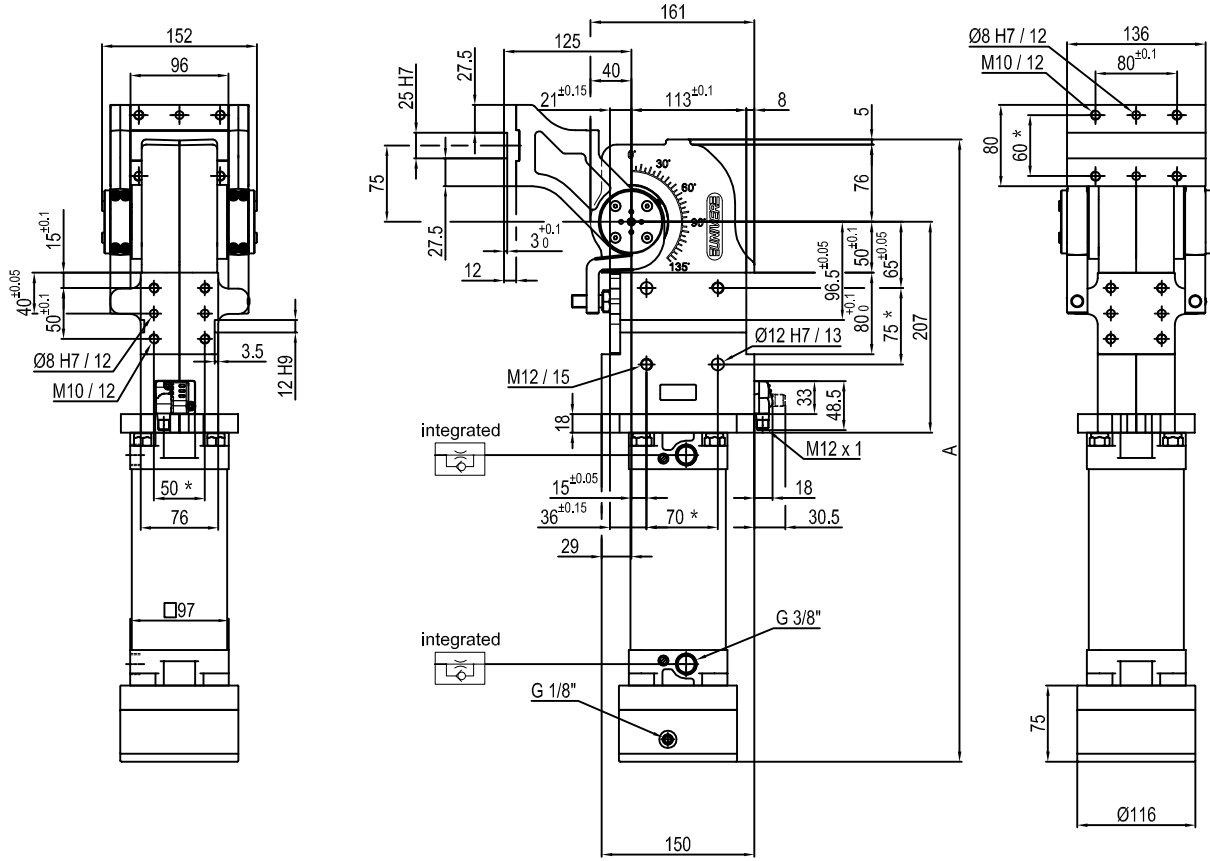
Electronic sensor with M12 swivel connector that can be orientated at 0° or 90°

Supply voltage: 10÷30 V DC

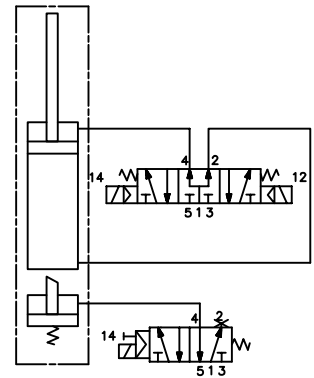
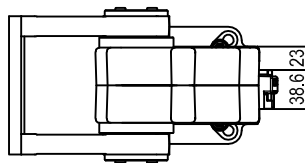
IP code: IP 65

* : TOLERANCE BETWEEN DOWEL HOLES ± 0.02, TO SCREW HOLES ± 0.1

Pneumatic power pivot



Passive brake



Pivot rotation in degrees	A
45°	550
60°	561.5
90°	586.5
120°	611.5

Size	Holding moment	Max. torque at the rotary table 0,55 MPa	Weight
80	4000 Nm	60 Nm	18 Kg

Min./Max. operating pressure: **0,4 / 0,6 MPa**

Operating temperature: **5° + 45° C**

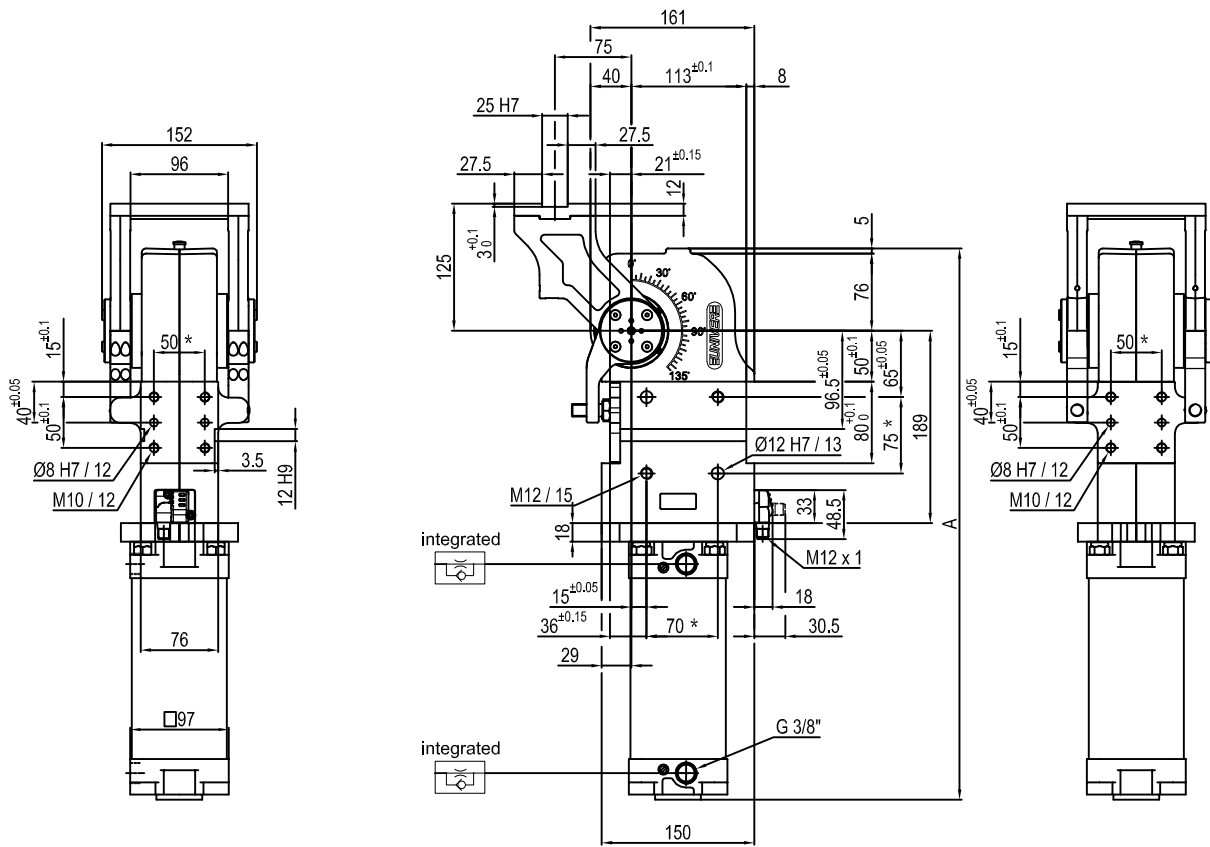
Predetermine pivot rotation in degrees: **45° - 60° - 90° - 120°**

Electronic sensor with M12 swivel connector that can be orientated at 0° or 90°

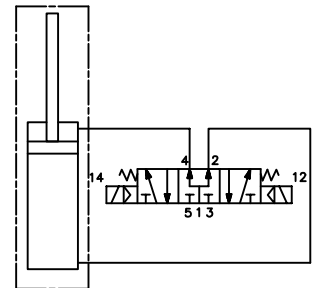
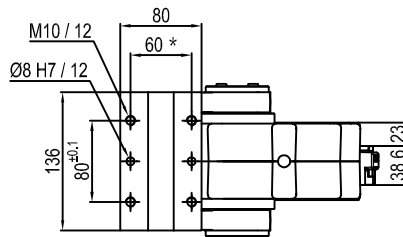
Supply voltage: 10÷30 V DC

IP code: **IP 65**

* : TOLERANCE BETWEEN DOWEL HOLES ± 0.02, TO SCREW HOLES ± 0.1



Pivot rotation in degrees	A
45°	480
60°	491.5
90°	516.5
120°	541.5



Size	Holding moment	Max. torque at the rotary table 0,55 MPa	Weight
80	4000 Nm	60 Nm	15 Kg

Min./Max. operating pressure: **0,4 / 0,6 MPa**

Operating temperature: **5° + 45° C**

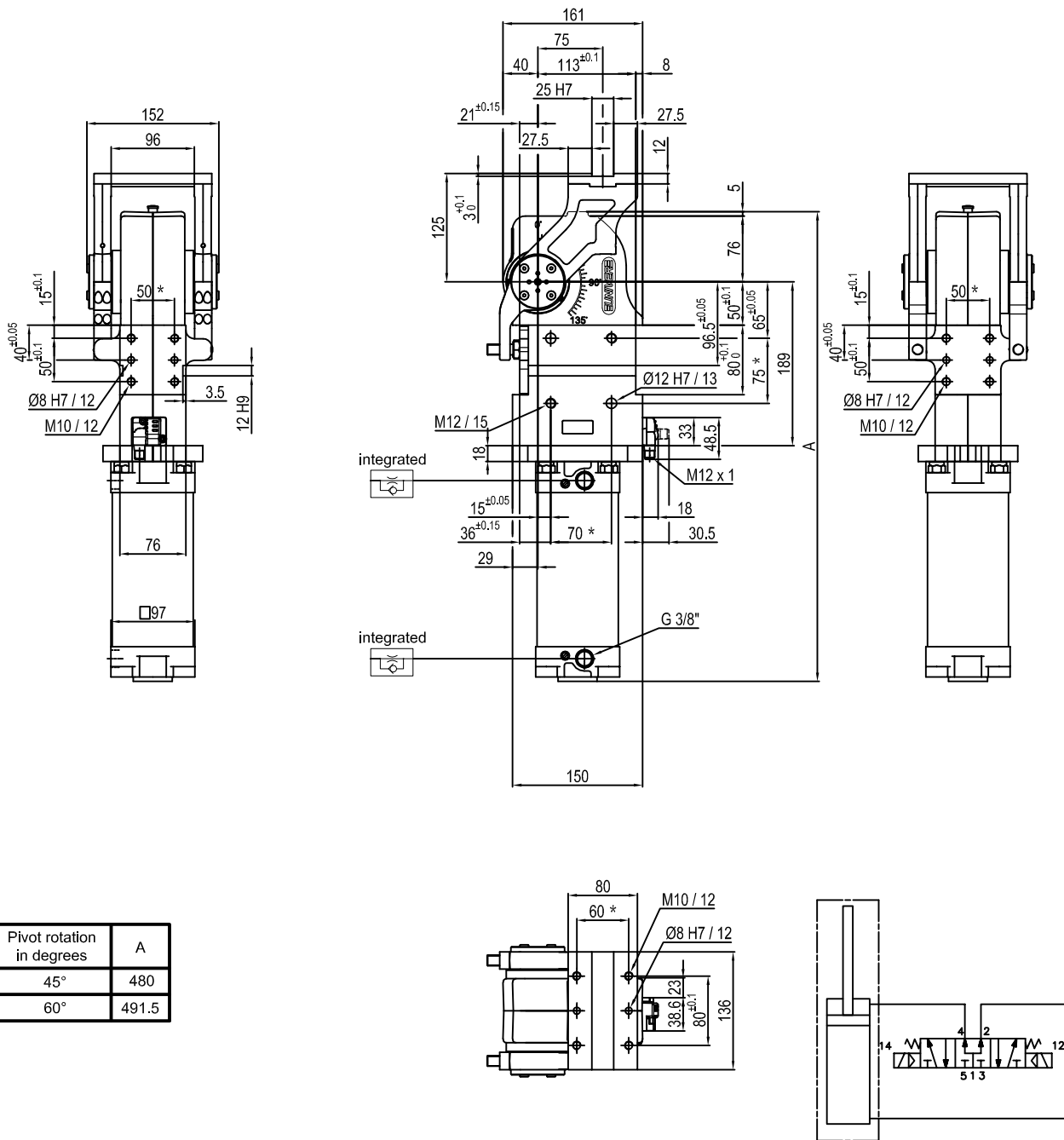
Predeterminate pivot rotation in degrees: **45° - 60° - 90° - 120°**

Electronic sensor with M12 swivel connector that can be orientated at 0° or 90°

Supply voltage: 10÷30 V DC

IP code: **IP 65**

* : TOLERANCE BETWEEN DOWEL HOLES ± 0.02, TO SCREW HOLES ± 0.1

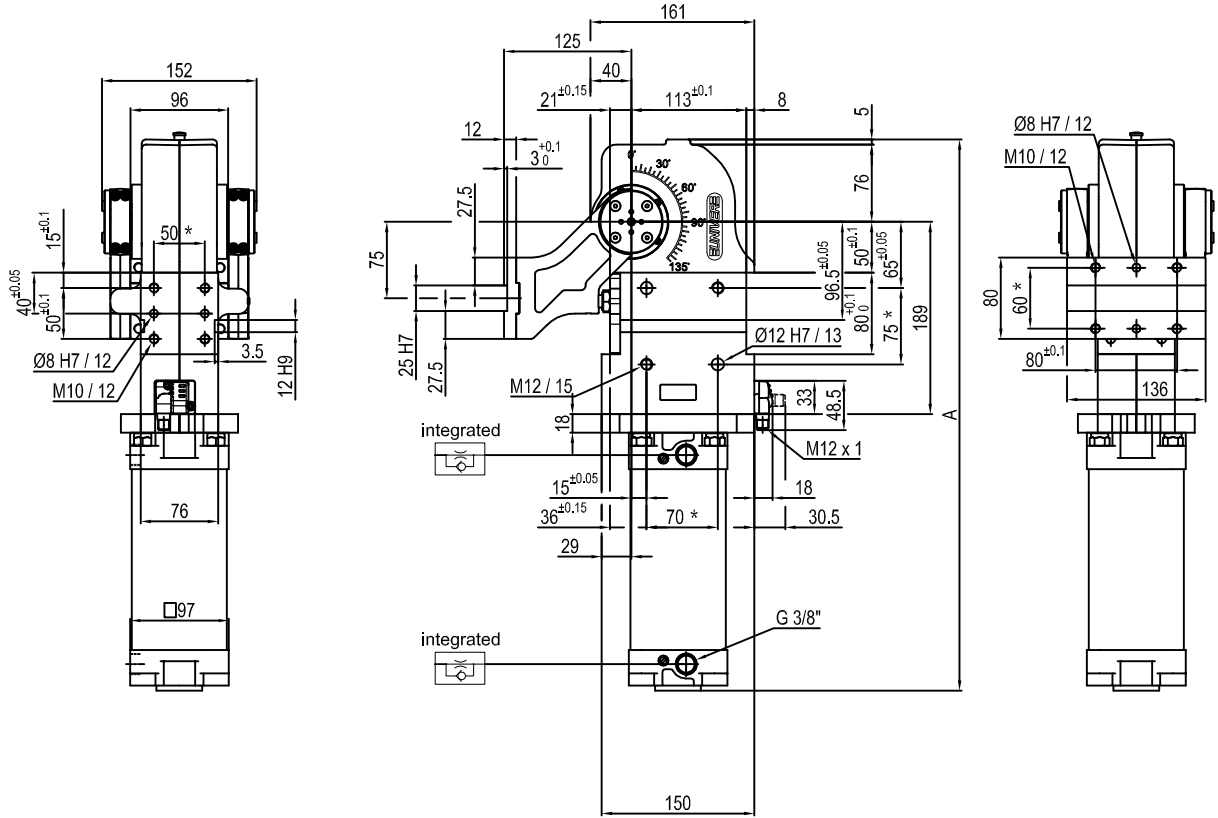


Size	Holding moment	Max. torque at the rotary table 0,55 MPa	Weight
80	4000 Nm	60 Nm	15 Kg

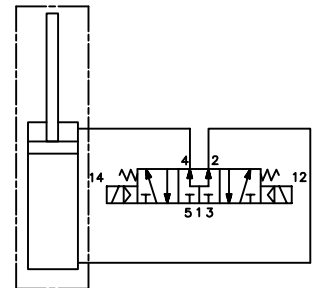
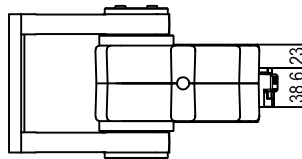
Min./Max. operating pressure: **0,4 / 0,6 MPa**
 Operating temperature: **5° + 45° C**
 Predeterminate pivot rotation in degrees: **45° - 60°**
 Electronic sensor with M12 swivel connector that can be orientated at 0° or 90°
 Supply voltage: 10÷30 V DC
 IP code: **IP 65**

* : TOLERANCE BETWEEN DOWEL HOLES ± 0.02, TO SCREW HOLES ± 0.1

Subject to technical modifications without notice.



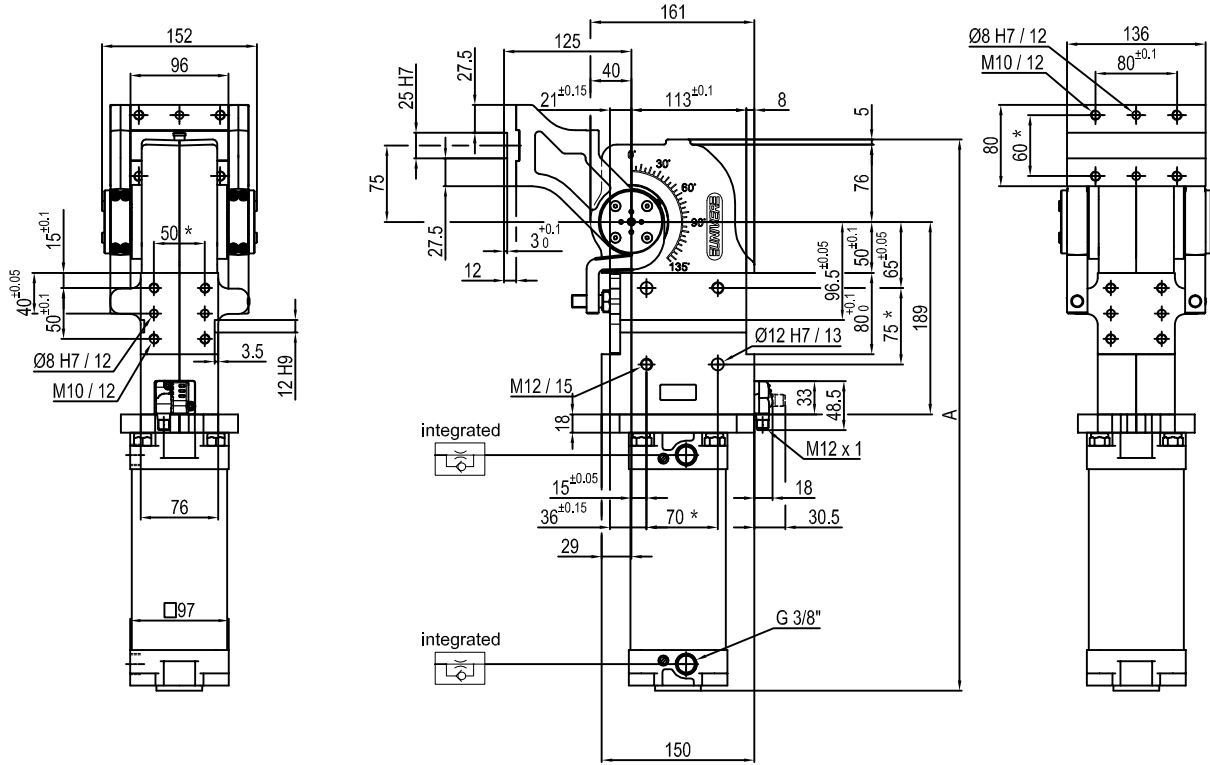
Pivot rotation in degrees	A
45°	480
60°	491.5
90°	516.5
120°	541.5



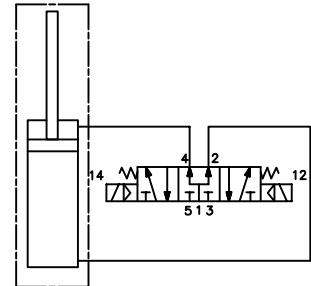
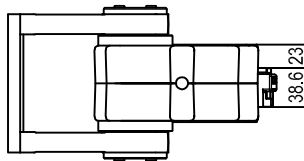
Size	Holding moment	Max. torque at the rotary table 0,55 MPa	Weight
80	4000 Nm	60 Nm	15 Kg

Min./Max. operating pressure: **0,4 / 0,6 MPa**
 Operating temperature: **5° ± 45° C**
 Predeterminate pivot rotation in degrees: **45° - 60° - 90° - 120°**
 Electronic sensor with M12 swivel connector that can be orientated at 0° or 90°
 Supply voltage: 10÷30 V DC
 IP code: **IP 65**

* : TOLERANCE BETWEEN DOWEL HOLES ± 0.02, TO SCREW HOLES ± 0.1



Pivot rotation in degrees	
45°	480
60°	491.5
90°	516.5
120°	541.5



Size	Holding moment	Max. torque at the rotary table 0,55 MPa	Weight
80	4000 Nm	60 Nm	15 Kg

Min./Max. operating pressure: **0,4 / 0,6 MPa**

Operating temperature: **5° ± 45° C**

Predeterminate pivot rotation in degrees: **45° - 60° - 90° - 120°**

Electronic sensor with M12 swivel connector that can be orientated at 0° or 90°

Supply voltage: 10÷30 V DC

IP code: **IP 65**

* : TOLERANCE BETWEEN DOWEL HOLES ± 0.02, TO SCREW HOLES ± 0.1