

# LCL50

Retractable locating pin unit with hand lever, single rod



L	C	L	5	0	0	5	0	E	A	E	R
1	2	3	4				5	6	7	8	

<b>1 Series</b>	<b>2 Version</b>	<b>3 Size</b>
-----------------	------------------	---------------

LC = Retractable locating pin unit

L = With hand lever, single rod

50 = Ø 50 mm

<b>4 Strokes</b>	<b>5 Sensor</b>	<b>6 Rod end style</b>
------------------	-----------------	------------------------

- 015 = 15 mm
- 025 = 25 mm
- 040 = 40 mm
- 050 = 50 mm
- 060 = 60 mm

- N = No sensor (with protection plate)
- E = Electronic sensor with M12 swivel connector

- A = Rod for off-set pins
- B = Rod with profiled end
- C = Rod with cross-profiled end inner Ø 16 mm
- D = Rod for off-set pins with oversized dowel holes
- E = Rod with cross-profiled end inner Ø 10 mm
- F = Rod for side mounting
- H = Rod with flat end, inner Ø 10 mm
- I = Rod with flat end, inner Ø 12 mm
- L = Rod with 12 mm hole compatible with CNOMO LCG
- M = Rod with 20 mm hole compatible with CNOMO LCG

<b>7 Rod orientation</b>	<b>8 Rod scraper</b>
--------------------------	----------------------

E = east, standard



O = west



N = north



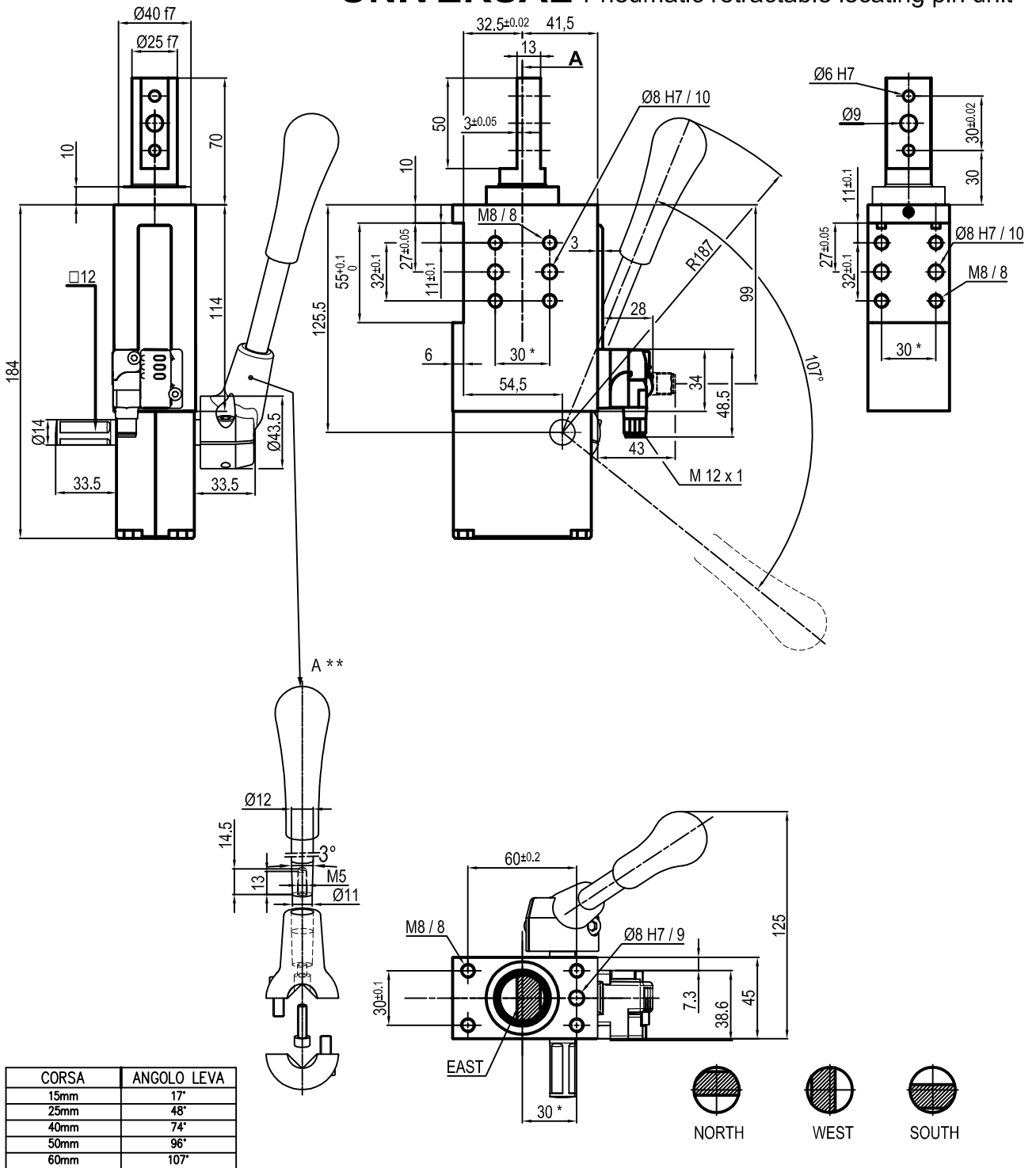
S = south



R = Metallic rod scraper

Only with A and D rod end styles

## UNIVERSAL Pneumatic retractable locating pin unit



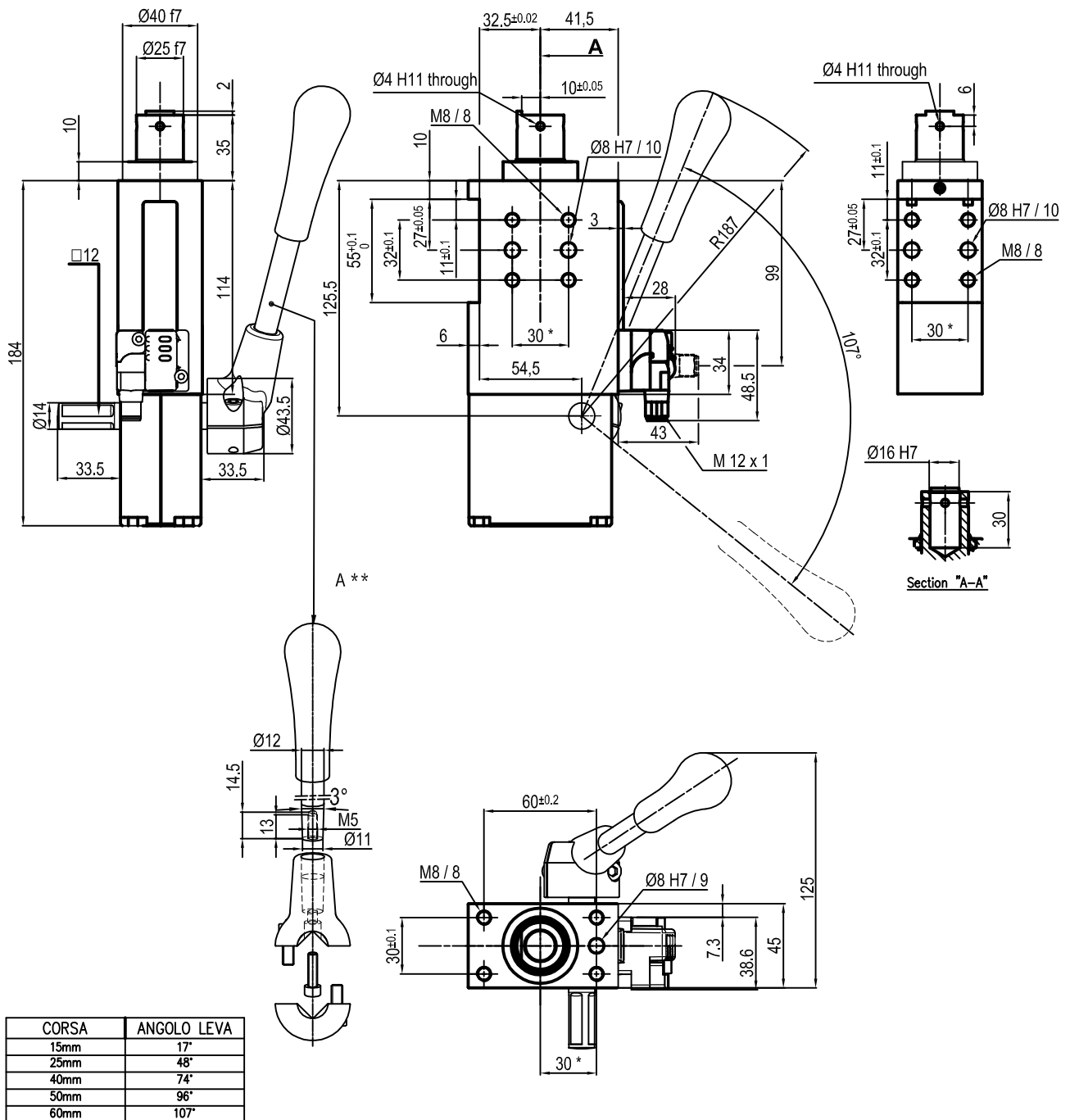
Bore Ø	Max. torque	Max. deflection moment	Weight
50 mm	6 Nm ±0.06°	7.5 Nm ±0.03°	2.5 Kg

Min./max. operating pressure: **0,4 / 0,6 MPa**  
 Operating temperature: **5° + 45° C**  
 Strokes in mm.: **15 - 25 - 40 - 50 - 60**  
 With manual lever  
 Electronic sensor with M12 swivel connector that can be orientated at 0° or 90°  
 Supply voltage: 10÷30 Vdc  
 IP code: **IP 65**  
 Pneumatic ports on both sides

\*: TOLERANCE BETWEEN DOWEL HOLES ± 0.02, TO SCREW HOLES ± 0.1  
 \*\*: DIMENSIONS TO BE RESPECTED IN CASE OTHER MANUAL LEVERS ARE USED

Subject to technical modification without notice.

## UNIVERSAL Pneumatic retractable locating pin unit



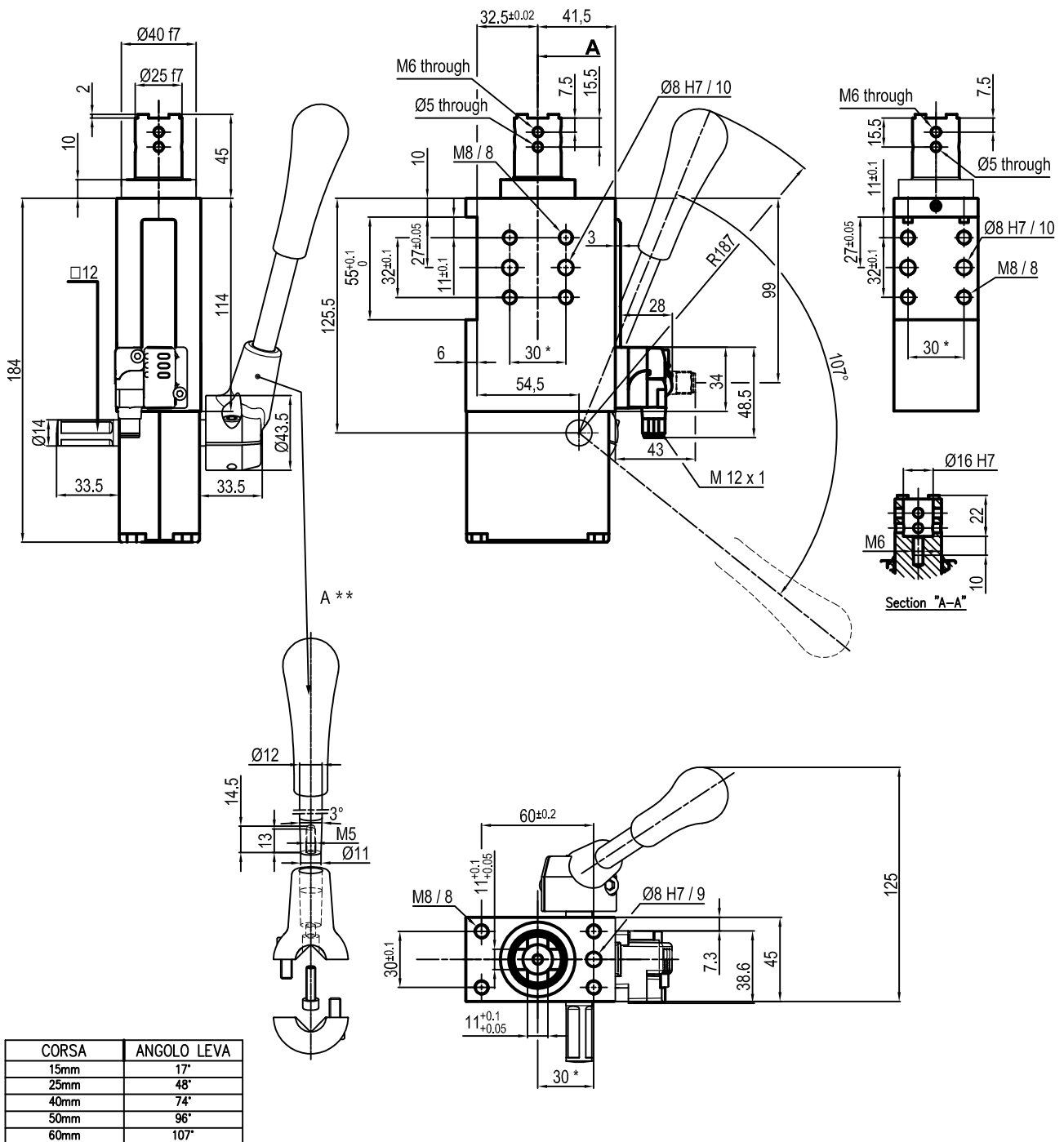
Bore Ø	Max. torque	Max. deflection moment	Weight
50 mm	6 Nm ±0.06°	7.5 Nm ±0.03°	2.5 Kg

Min./max. operating pressure: **0,4 / 0,6 MPa**  
 Operating temperature: **5° + 45° C**  
 Strokes in mm.: **15 - 25 - 40 - 50 - 60**  
 With manual lever  
 Electronic sensor with M12 swivel connector that can be orientated at 0° or 90°  
 Supply voltage: 10÷30 Vdc  
 IP code: **IP 65**  
 Pneumatic ports on both sides

\* : TOLERANCE BETWEEN DOWEL HOLES ± 0.02, TO SCREW HOLES ± 0.1  
 \*\* : DIMENSIONS TO BE RESPECTED IN CASE OTHER MANUAL LEVERS ARE USED

Subject to technical modification without notice.

## UNIVERSAL Pneumatic retractable locating pin unit



Bore Ø	Max. torque	Max. deflection moment	Weight
50 mm	6 Nm ±0.06°	7.5 Nm ±0.03°	2.5 Kg

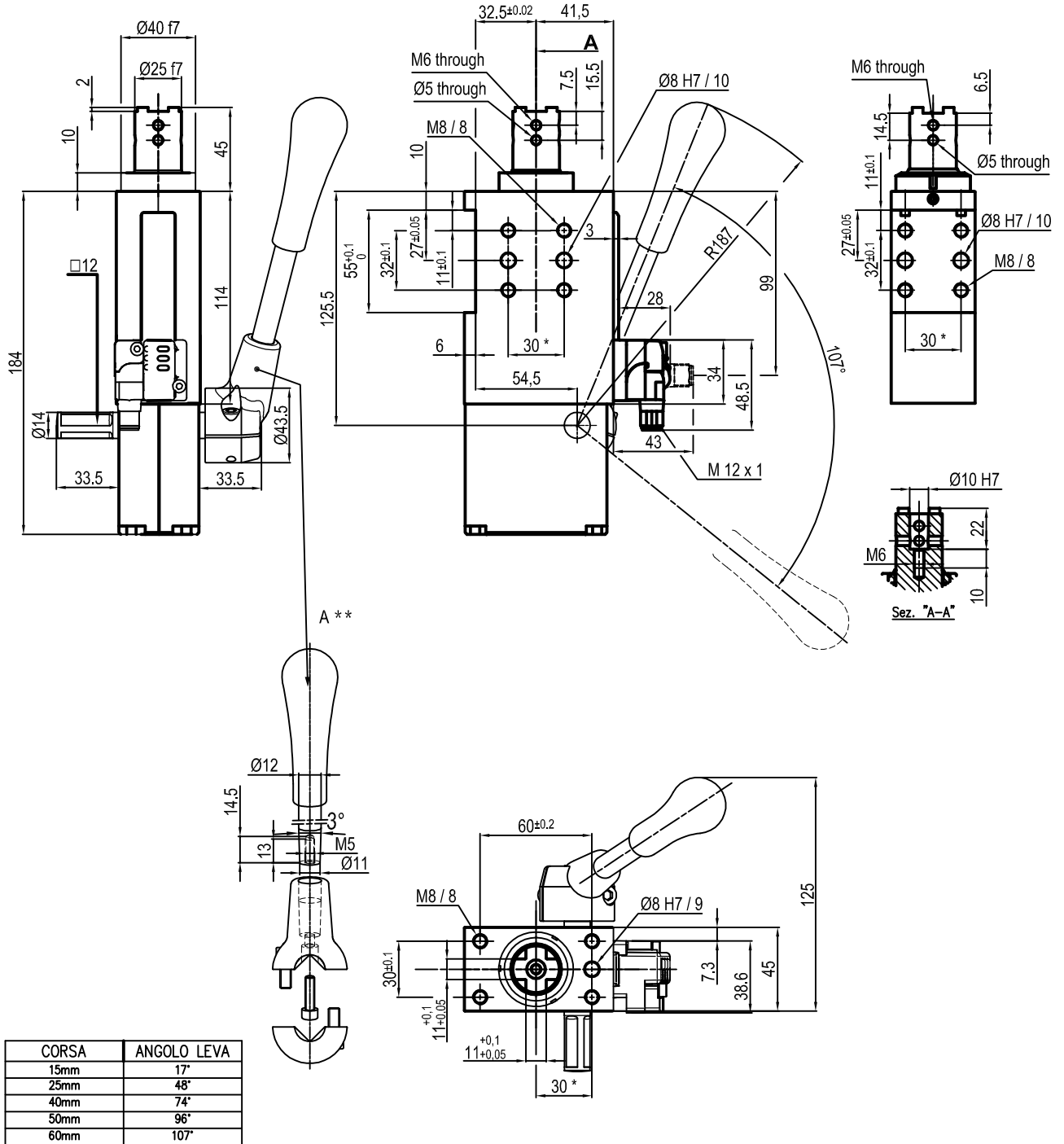
Min./max. operating pressure: **0,4 / 0,6 MPa**  
 Operating temperature: **5° + 45° C**  
 Strokes in mm.: **15 - 25 - 40 - 50 - 60**  
 With manual lever  
 Electronic sensor with M12 swivel connector that can be orientated at 0° or 90°  
 Supply voltage: 10÷30 Vdc  
 IP code: **IP 65**  
 Pneumatic ports on both sides

\* : TOLERANCE BETWEEN DOWEL HOLES ± 0.02, TO SCREW HOLES ± 0.1  
 \*\* : DIMENSIONS TO BE RESPECTED IN CASE OTHER MANUAL LEVERS ARE USED

Subject to technical modification without notice.



## UNIVERSAL Pneumatic retractable locating pin unit rod inner $\varnothing=10$ mm



Bore $\varnothing$	Max. torque	Max. deflection moment	Weight
50 mm	6 Nm $\pm 0.06^\circ$	7.5 Nm $\pm 0.03^\circ$	2.5 Kg

Min./max. operating pressure: **0,4 / 0,6 MPa**

Operating temperature: **5° + 45° C**

Strokes in mm.: **15 - 25 - 40 - 50 - 60**

With manual lever

Electronic sensor with M12 swivel connector that can be orientated at 0° or 90°

Supply voltage: 10÷30 Vdc

IP code: **IP 65**

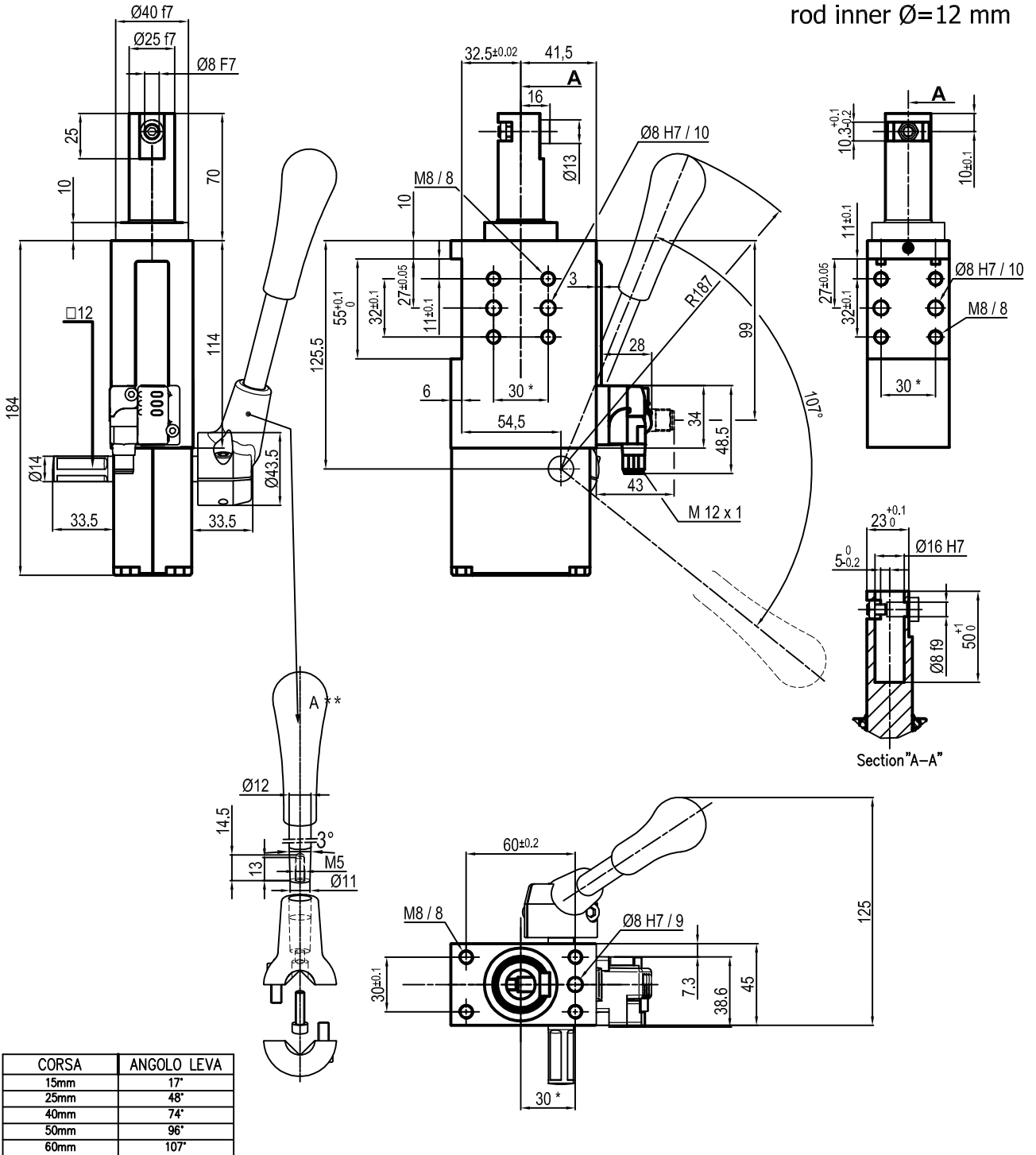
Pneumatic ports on both sides

\* : TOLERANCE BETWEEN DOWEL HOLES  $\pm 0.02$ , TO SCREW HOLES  $\pm 0.1$

\*\* : DIMENSIONS TO BE RESPECTED IN CASE OTHER MANUAL LEVERS ARE USED

Subject to technical modification without notice.

## UNIVERSAL Pneumatic retractable locating pin unit rod inner Ø=12 mm



Bore Ø	Max. torque	Max. deflection moment	Weight
50 mm	6 Nm ±0.06°	7.5 Nm ±0.03°	2.5 Kg

Min./max. operating pressure: **0,4 / 0,6 MPa**

Operating temperature: **5° + 45° C**

Strokes in mm.: **15 - 25 - 40 - 50 - 60**

With manual lever

Electronic sensor with M12 swivel connector that can be orientated at 0° or 90°

Supply voltage: **10±30 Vdc**

IP code: **IP 65**

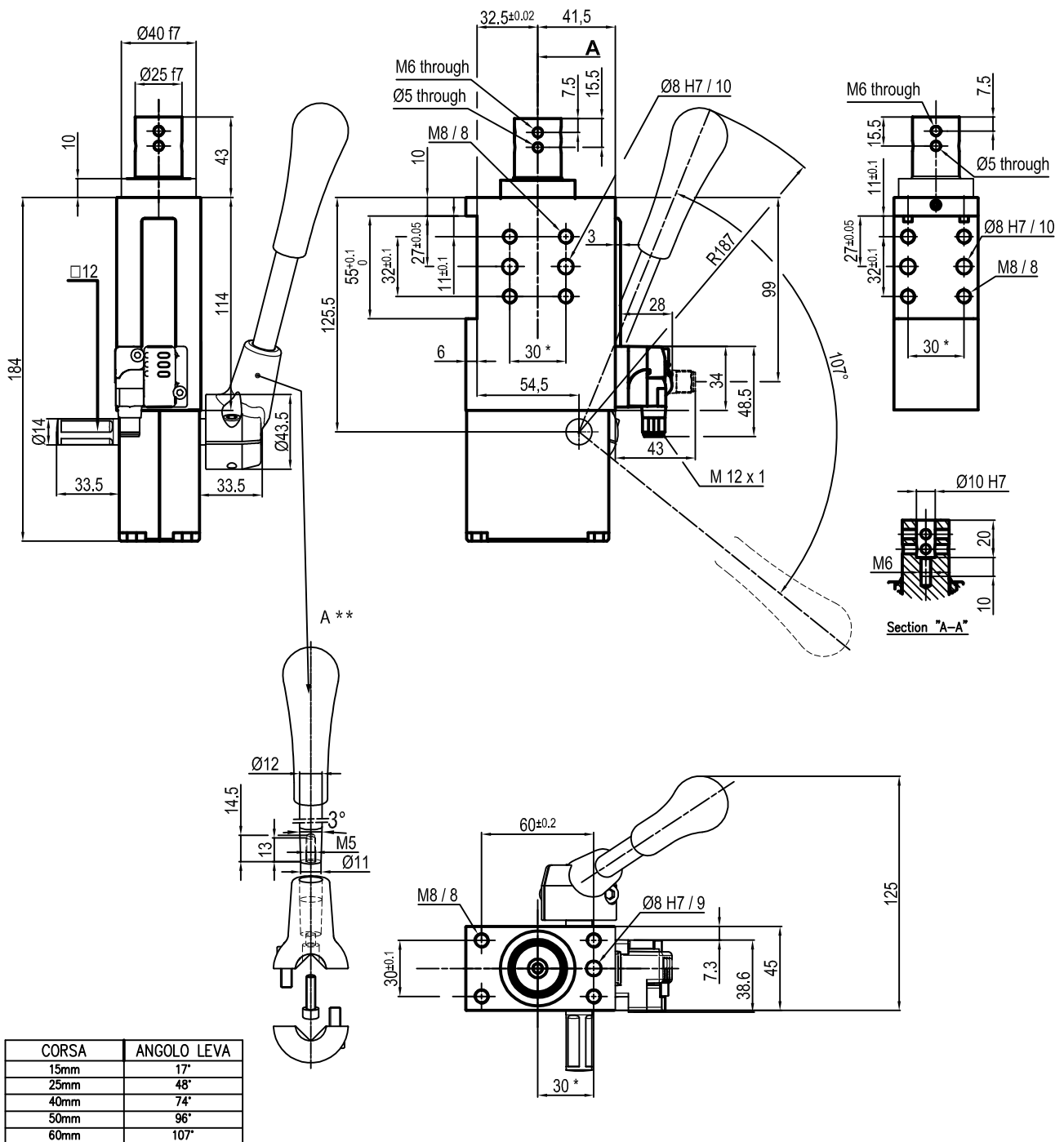
Pneumatic ports on both sides

\* : TOLERANCE BETWEEN DOWEL HOLES ± 0.02, TO SCREW HOLES ± 0.1

\*\* : DIMENSIONS TO BE RESPECTED IN CASE OTHER MANUAL LEVERS ARE USED

Subject to technical modification without notice.

## UNIVERSAL Pneumatic retractable locating pin unit rod inner $\varnothing=10$ mm



Bore $\varnothing$	Max. torque	Max. deflection moment	Weight
50 mm	6 Nm $\pm 0.06^\circ$	7.5 Nm $\pm 0.03^\circ$	2.5 Kg

Min./max. operating pressure: **0,4 / 0,6 MPa**  
 Operating temperature: **5° + 45° C**  
 Strokes in mm.: **15 - 25 - 40 - 50 - 60**  
 With manual lever  
 Electronic sensor with M12 swivel connector that can be orientated at 0° or 90°  
 Supply voltage: 10÷30 Vdc  
 IP code: **IP 65**  
 Pneumatic ports on both sides

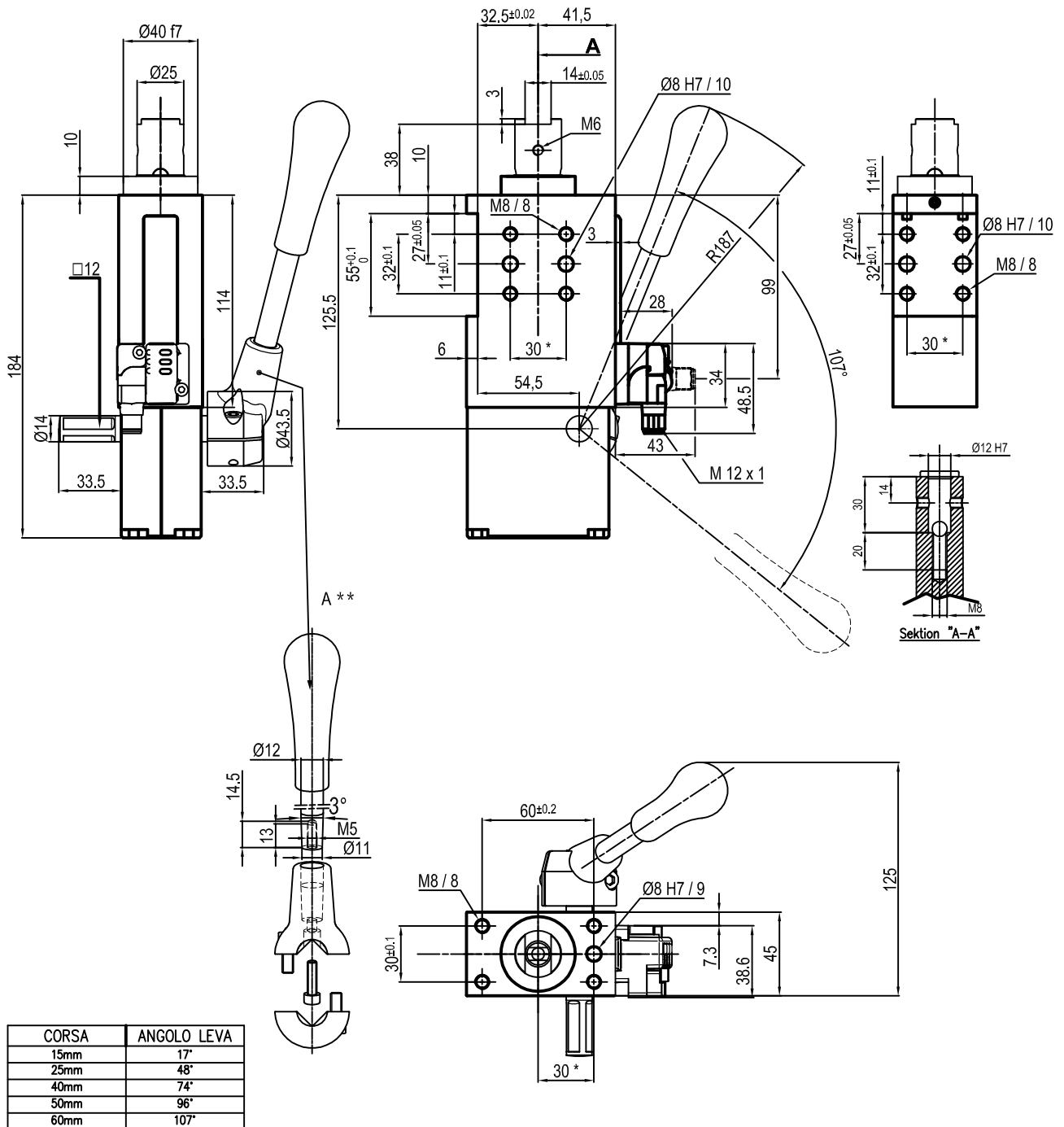
\* : TOLERANCE BETWEEN DOWEL HOLES  $\pm 0.02$ , TO SCREW HOLES  $\pm 0.1$   
 \*\* : DIMENSIONS TO BE RESPECTED IN CASE OTHER MANUAL LEVERS ARE USED

Subject to technical modification without notice.





## UNIVERSAL Pneumatic retractable locating pin unit



Bore Ø	Max. torque	Max. deflection moment	Weight
50 mm	6 Nm ±0.06°	7.5 Nm ±0.03°	2.5 Kg

Min./max. operating pressure: **0,4 / 0,6 MPa**

Operating temperature: **5° + 45° C**

Strokes in mm.: **15 - 25 - 40 - 50 - 60**

With manual lever

Electronic sensor with M12 swivel connector that can be orientated at 0° or 90°

Supply voltage: **10÷30 Vdc**

IP code: **IP 65**

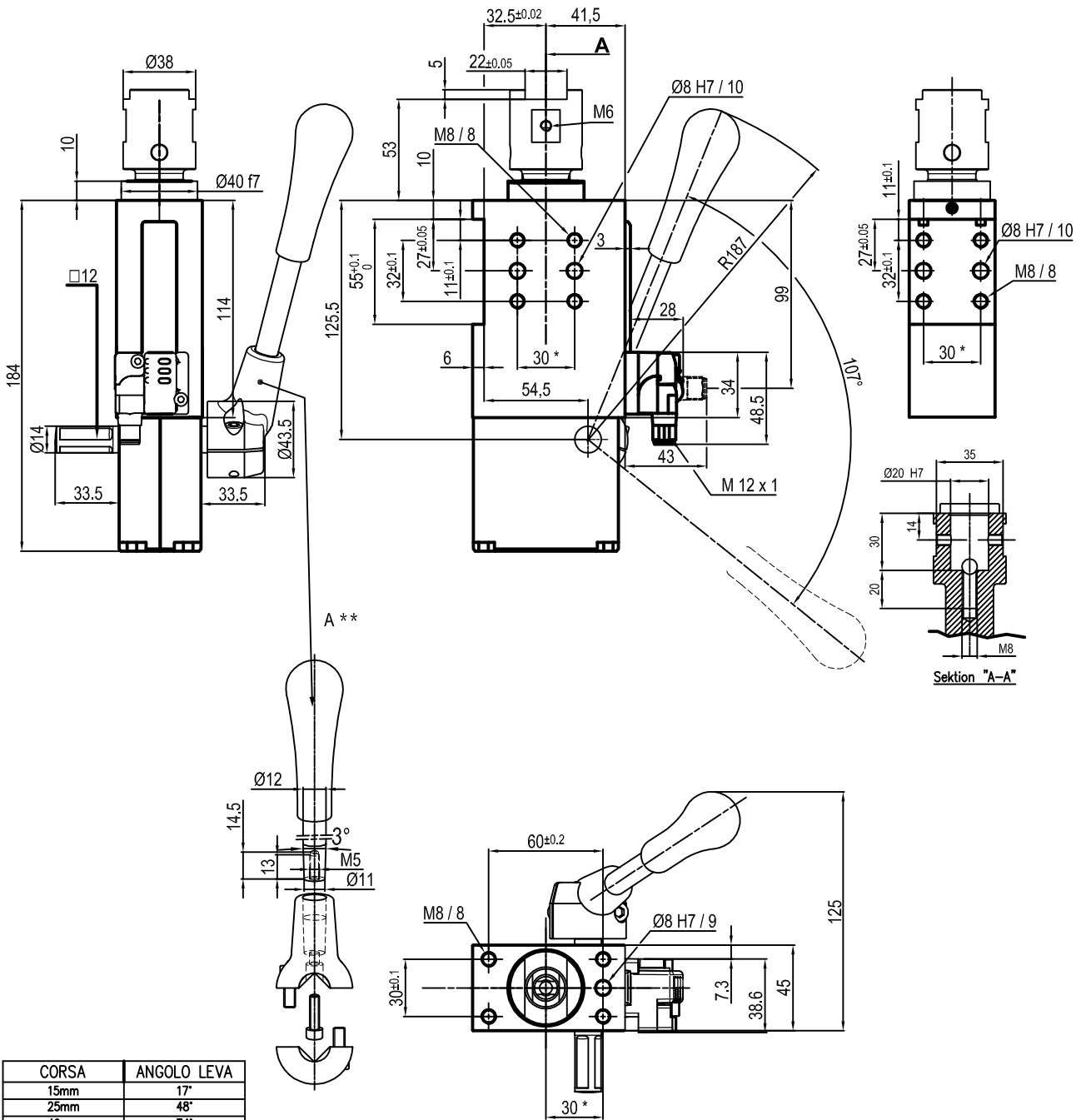
Pneumatic ports on both sides

\* : TOLERANCE BETWEEN DOWEL HOLES ± 0.02, TO SCREW HOLES ± 0.1

\*\* : DIMENSIONS TO BE RESPECTED IN CASE OTHER MANUAL LEVERS ARE USED

Subject to technical modification without notice.

## UNIVERSAL Pneumatic retractable locating pin unit



CORSA	ANGOLO LEVA
15mm	17°
25mm	48°
40mm	74°
50mm	96°
60mm	107°

Bore Ø	Max. torque	Max. deflection moment	Weight
50 mm	6 Nm ±0.06°	7.5 Nm ±0.03°	2.5 Kg

Min./max. operating pressure: **0,4 / 0,6 MPa**  
 Operating temperature: **5° + 45° C**  
 Strokes in mm.: **15 - 25 - 40 - 50 - 60**  
 With manual lever  
 Electronic sensor with M12 swivel connector that can be orientated at 0° or 90°  
 Supply voltage: 10÷30 Vdc  
 IP code: **IP 65**  
 Pneumatic ports on both sides

\* : TOLERANCE BETWEEN DOWEL HOLES ± 0.02, TO SCREW HOLES ± 0.1  
 \*\* : DIMENSIONS TO BE RESPECTED IN CASE OTHER MANUAL LEVERS ARE USED

Subject to technical modification without notice.