

LCM50

Pneumatic retractable locating pin unit with hand lever, single rod



L	C	M	5	0	0	5	0	E	A	E	R
1	2	3	4				5	6	7	8	

1 Series	2 Version	3 Size
-----------------	------------------	---------------

LC = Retractable locating pin unit **P** = Pneumatic with hand lever, single rod **50** = Ø 50 mm


4 Strokes	5 Sensor	6 Rod end style
------------------	-----------------	------------------------


015 = 15 mm
025 = 25 mm
040 = 40 mm
050 = 50 mm
060 = 60 mm


D = Pneumatic sensor with double air supply
N = No sensor (with protection plate)
E = Electronic sensor with M12 swivel connector


A = Rod for off-set pins
B = Rod with profiled end
C = Rod with cross-profiled end inner Ø 16 mm
D = Rod for off-set pins with oversized dowel holes
E = Rod with cross-profiled end with inner Ø 10 mm
F = Rod for side mounting
H = Rod with flat end, inner Ø 10 mm
I = Rod with flat end, inner Ø 12 mm
L = Rod with 12 mm hole compatible with CNOMO LCG
M = Rod with 20 mm hole compatible with CNOMO LCG

7 Rod orientation	8 Rod scraper
--------------------------	----------------------

E = east, standard  **R** = Metallic rod scraper

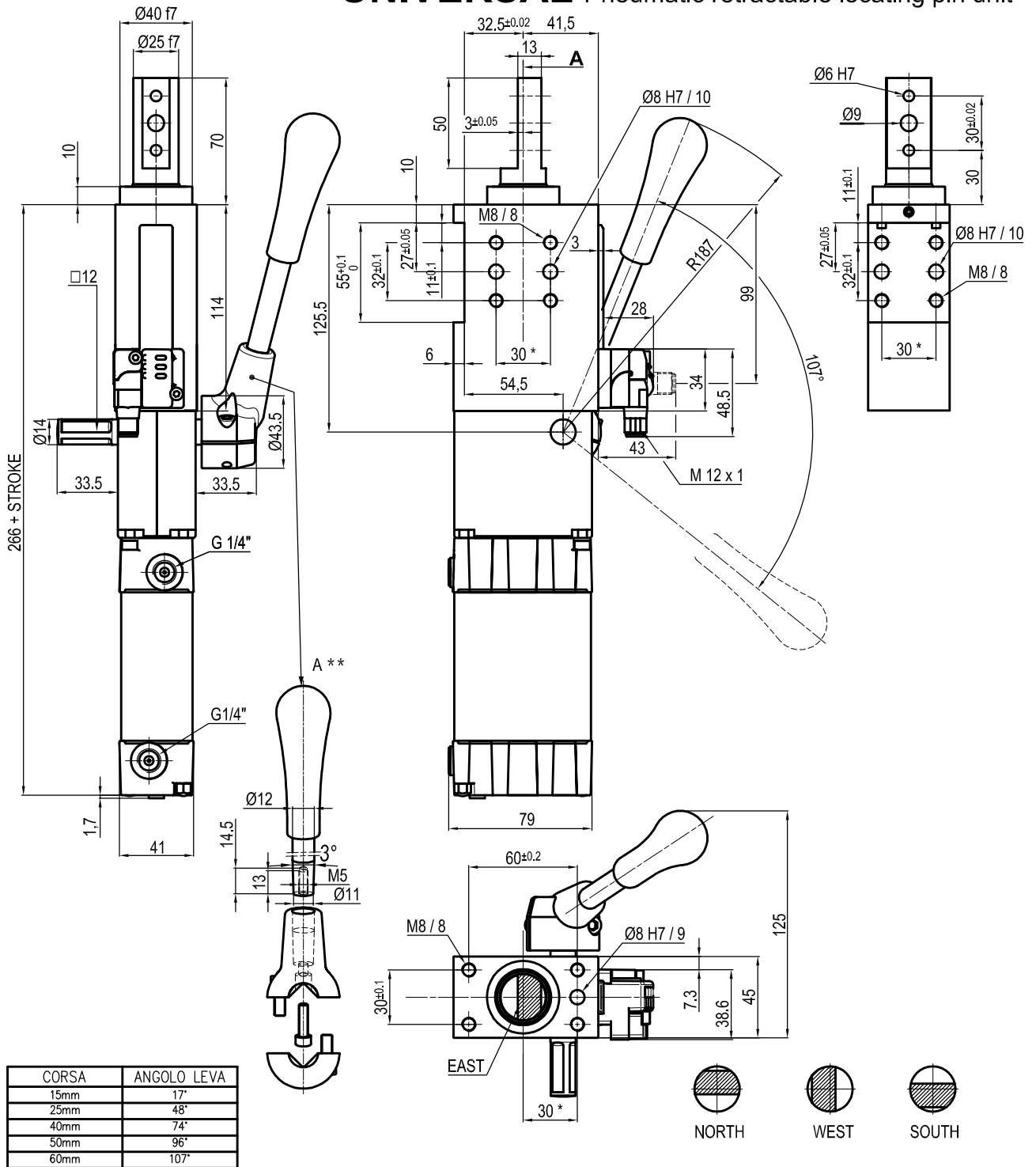
O = west 

N = north 

S = south 

Only with A and D rod end styles

UNIVERSAL Pneumatic retractable locating pin unit



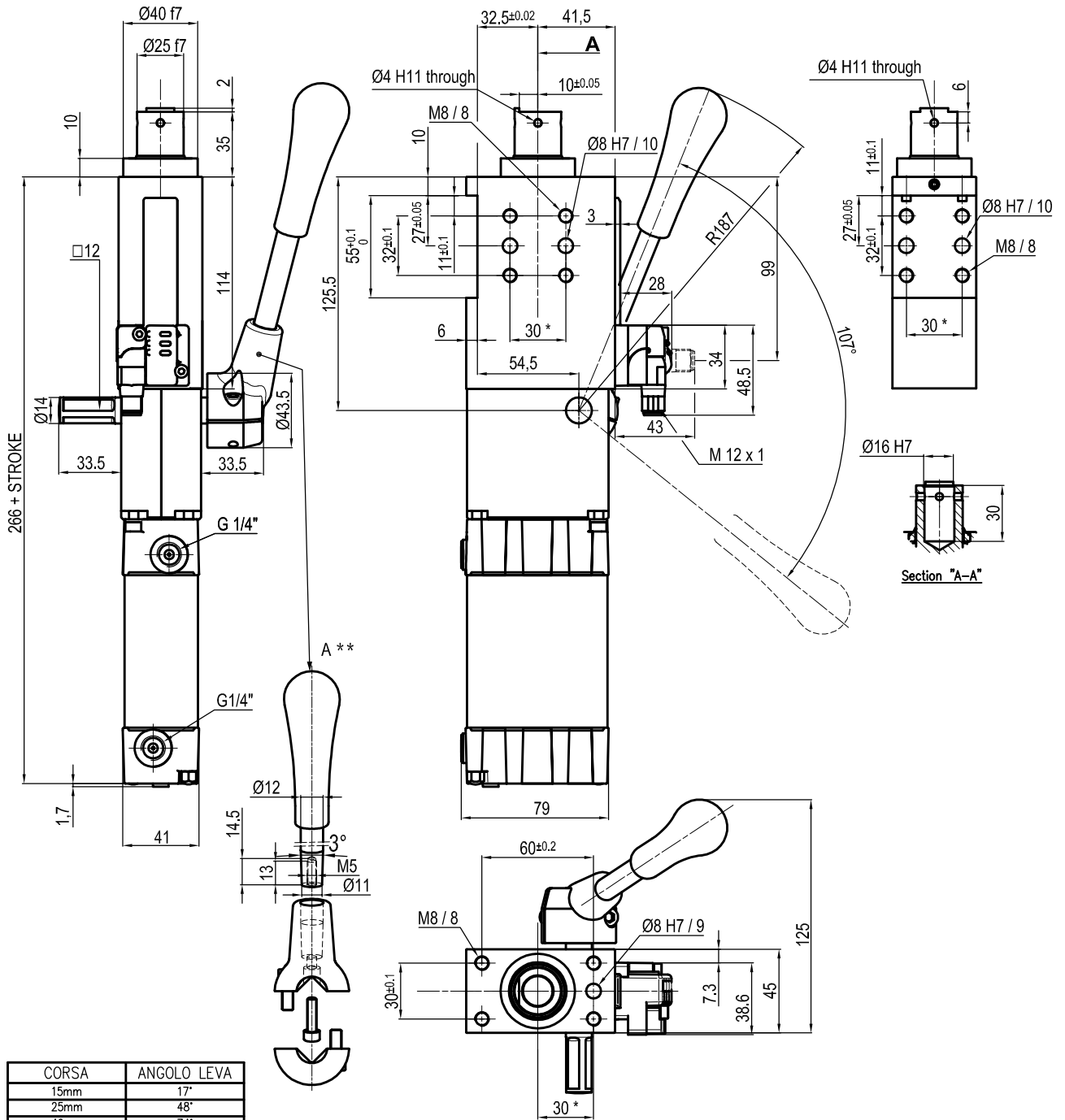
Bore Ø	Max. torque	Max. deflection moment	Weight
50 mm	6 Nm ±0.06°	7.5 Nm ±0.03°	3.4 Kg

Min./max. operating pressure: **0,4 / 0,6 MPa**
 Operating temperature: **5° + 45° C**
 Strokes in mm.: **15 - 25 - 40 - 50 - 60**
 With manual lever
 Electronic sensor with M12 swivel connector that can be orientated at 0° or 90°
 Supply voltage: 10÷30 Vdc
 IP code: **IP 65**
 Pneumatic ports on both sides

*: TOLERANCE BETWEEN DOWEL HOLES ± 0.02, TO SCREW HOLES ± 0.1
 **: DIMENSIONS TO BE RESPECTED IN CASE OTHER MANUAL LEVERS ARE USED

Subject to technical modification without notice.

UNIVERSAL Pneumatic retractable locating pin unit



CORSA	ANGOLO LEVA
15mm	17°
25mm	48°
40mm	74°
50mm	96°
60mm	107°

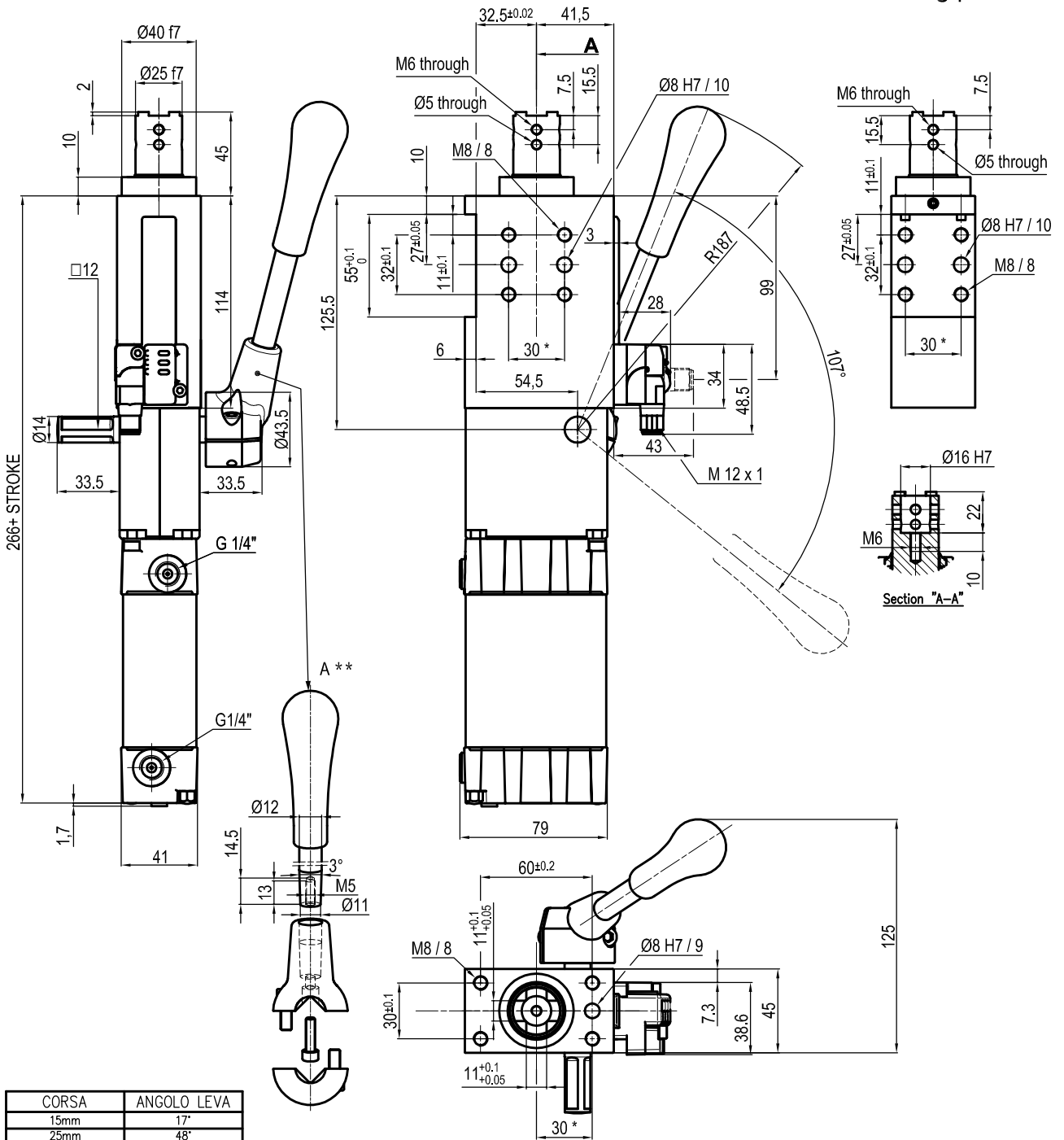
Bore Ø	Max. torque	Max. deflection moment	Weight
50 mm	6 Nm ±0.06°	7.5 Nm ±0.03°	3.4 Kg

Min./max. operating pressure: **0,4 / 0,6 MPa**
 Operating temperature: **5° + 45° C**
 Strokes in mm.: **15 - 25 - 40 - 50 - 60**
 With manual lever
 Electronic sensor with M12 swivel connector that can be orientated at 0° or 90°
 Supply voltage: 10÷30 Vdc
 IP code: **IP 65**
 Pneumatic ports on both sides

*: TOLERANCE BETWEEN DOWEL HOLES ± 0.02, TO SCREW HOLES ± 0.1
 **: DIMENSIONS TO BE RESPECTED IN CASE OTHER MANUAL LEVERS ARE USED

Subject to technical modification without notice.

UNIVERSAL Pneumatic retractable locating pin unit



Min./max. operating pressure: **0,4 / 0,6 MPa**

Operating temperature: **5° + 45° C**

Strokes in mm.: **15 - 25 - 40 - 50 - 60**

With manual lever

Electronic sensor with M12 swivel connector that can be orientated at 0° or 90°

Supply voltage: **10÷30 Vdc**

IP code: **IP 65**

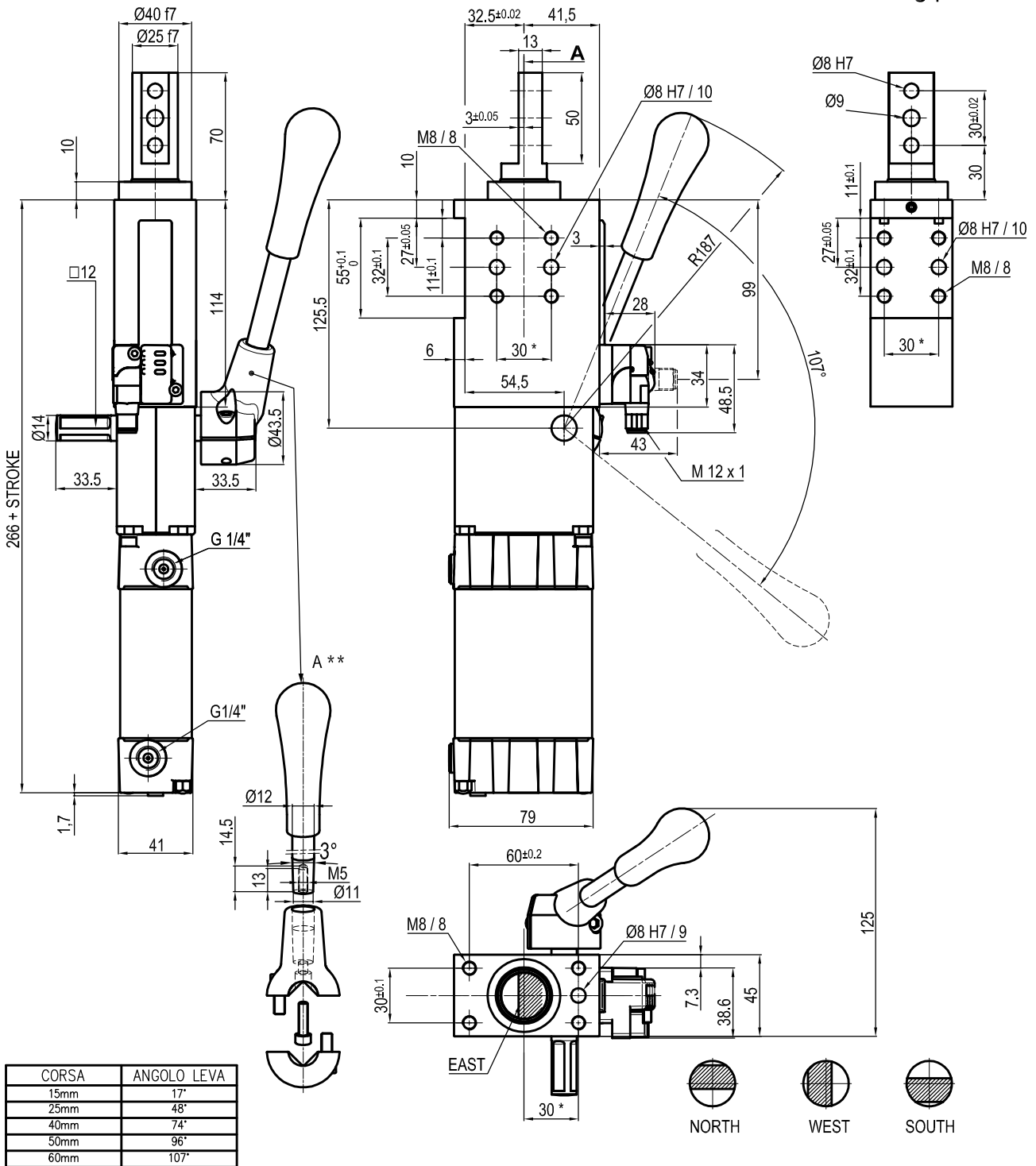
Pneumatic ports on both sides

* : TOLERANCE BETWEEN DOWEL HOLES ± 0.02, TO SCREW HOLES ± 0.1

** : DIMENSIONS TO BE RESPECTED IN CASE OTHER MANUAL LEVERS ARE USED

Subject to technical modification without notice.

UNIVERSAL Pneumatic retractable locating pin unit



Min./max. operating pressure: **0,4 / 0,6 MPa**

Operating temperature: **5° + 45° C**

Strokes in mm.: **15 - 25 - 40 - 50 - 60**

With manual lever

Electronic sensor with M12 swivel connector that can be orientated at 0° or 90°

Supply voltage: **10±30 Vdc**

IP code: **IP 65**

Pneumatic ports on both sides

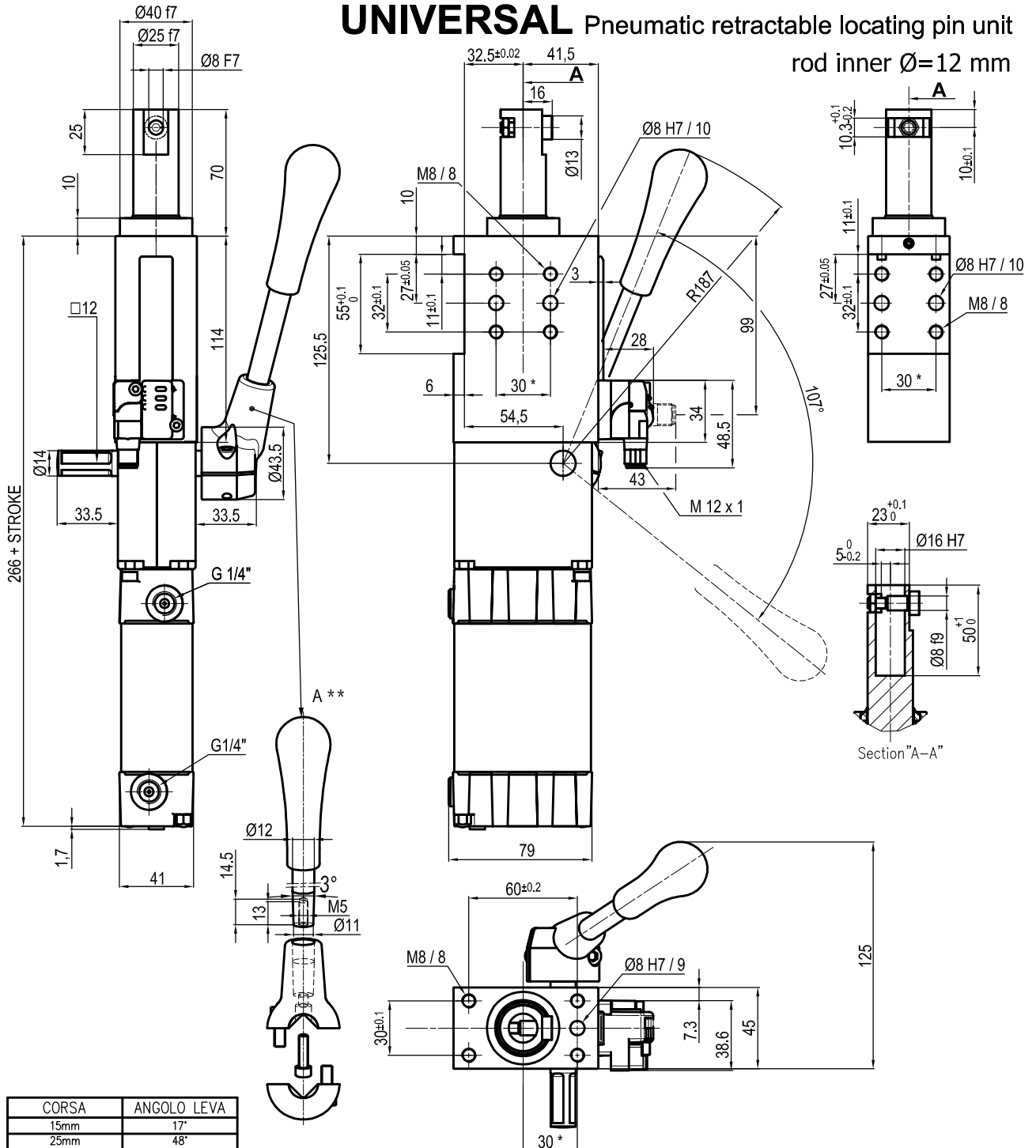
* : TOLERANCE BETWEEN DOWEL HOLES ± 0.02, TO SCREW HOLES ± 0.1

** : DIMENSIONS TO BE RESPECTED IN CASE OTHER MANUAL LEVERS ARE USED

Subject to technical modification without notice.

UNIVERSAL Pneumatic retractable locating pin unit

rod inner $\varnothing=12$ mm



CORSA	ANGOLO LEVA
15mm	17°
25mm	48°
40mm	74°
50mm	96°
60mm	107°

Bore \varnothing	Max. torque	Max. deflection moment	Weight
50 mm	6 Nm $\pm 0.06^\circ$	7.5 Nm $\pm 0.03^\circ$	3.4 Kg

Min./max. operating pressure: **0,4 / 0,6 MPa**

Operating temperature: **5° + 45° C**

Strokes in mm.: **15 - 25 - 40 - 50 - 60**

With manual lever

Electronic sensor with M12 swivel connector that can be orientated at 0° or 90°

Supply voltage: **10÷30 Vdc**

IP code: **IP 65**

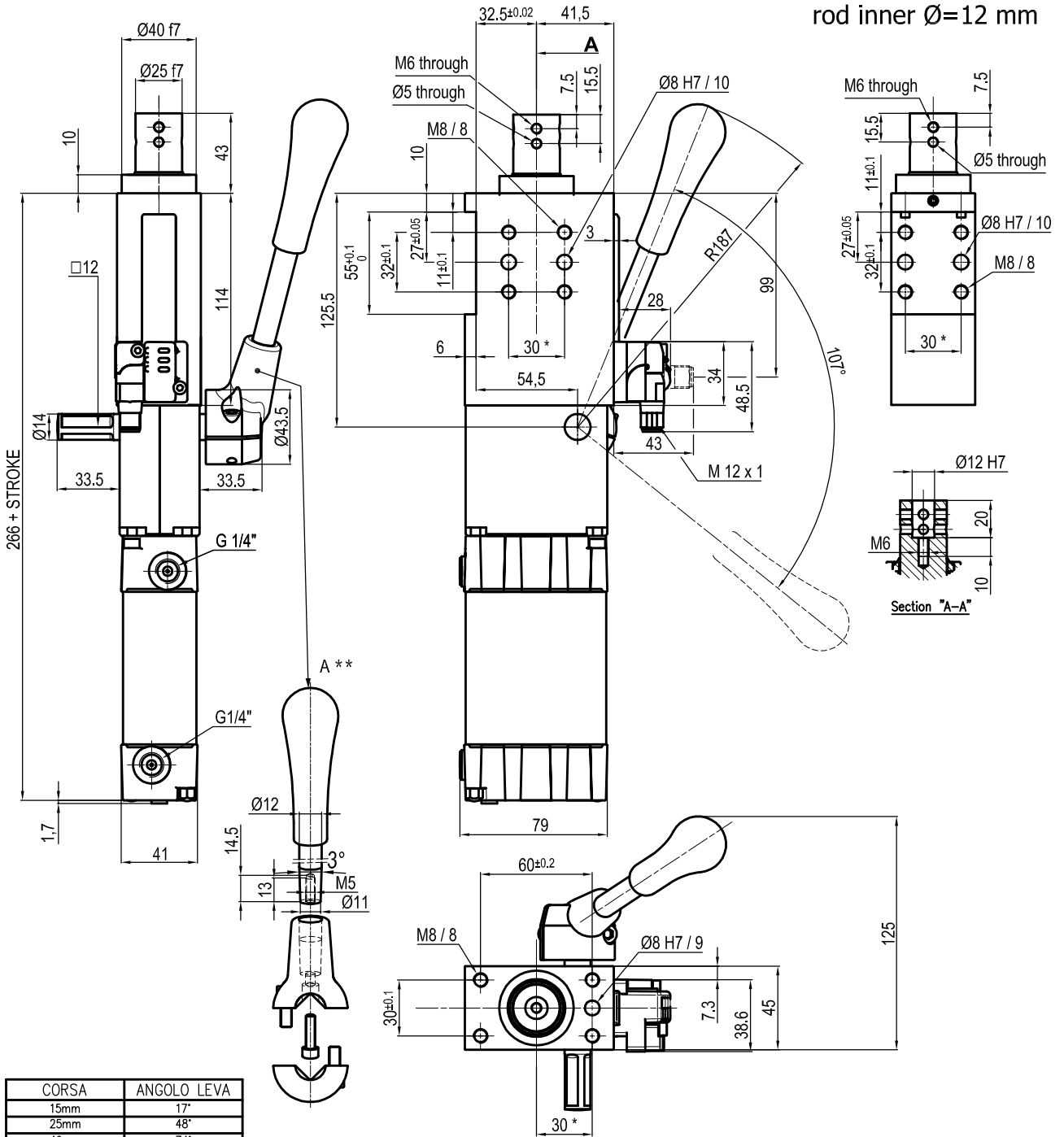
Pneumatic ports on both sides

* : TOLERANCE BETWEEN DOWEL HOLES ± 0.02 , TO SCREW HOLES ± 0.1

** : DIMENSIONS TO BE RESPECTED IN CASE OTHER MANUAL LEVERS ARE USED

Subject to technical modification without notice.

UNIVERSAL Pneumatic retractable locating pin unit rod inner Ø=12 mm



CORSA	ANGOLO LEVA
15mm	17°
25mm	48°
40mm	74°
50mm	96°
60mm	107°

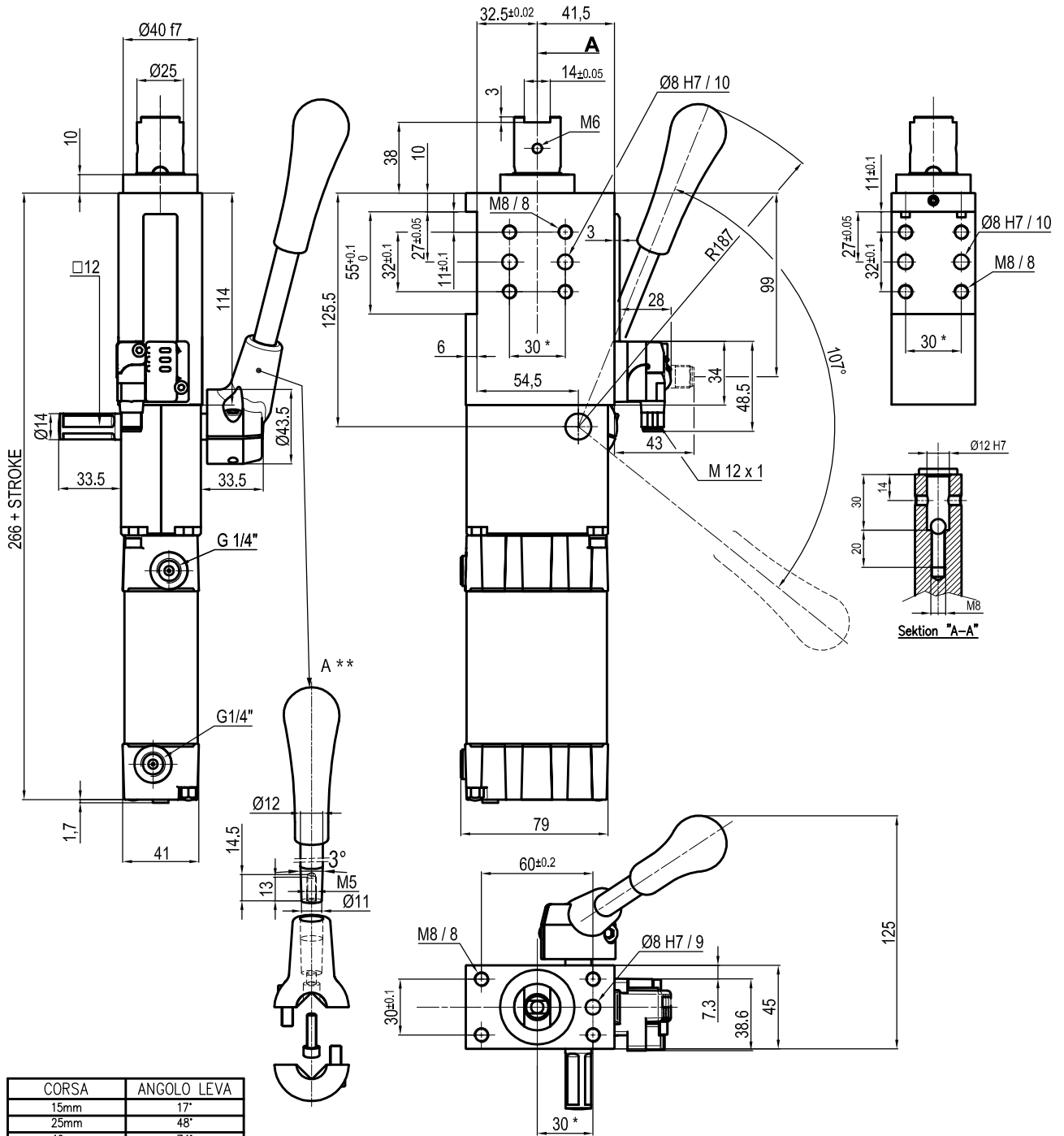
Bore Ø	Max. torque	Max. deflection moment	Weight
50 mm	6 Nm ±0.06°	7.5 Nm ±0.03°	3.4 Kg

Min./max. operating pressure: **0,4 / 0,6 MPa**
 Operating temperature: **5° + 45° C**
 Strokes in mm.: **15 - 25 - 40 - 50 - 60**
 With manual lever
 Electronic sensor with M12 swivel connector that can be orientated at 0° or 90°
 Supply voltage: 10÷30 Vdc
 IP code: **IP 65**
 Pneumatic ports on both sides

* : TOLERANCE BETWEEN DOWEL HOLES ± 0.02, TO SCREW HOLES ± 0.1
 ** : DIMENSIONS TO BE RESPECTED IN CASE OTHER MANUAL LEVERS ARE USED

Subject to technical modification without notice.

UNIVERSAL Pneumatic retractable locating pin unit



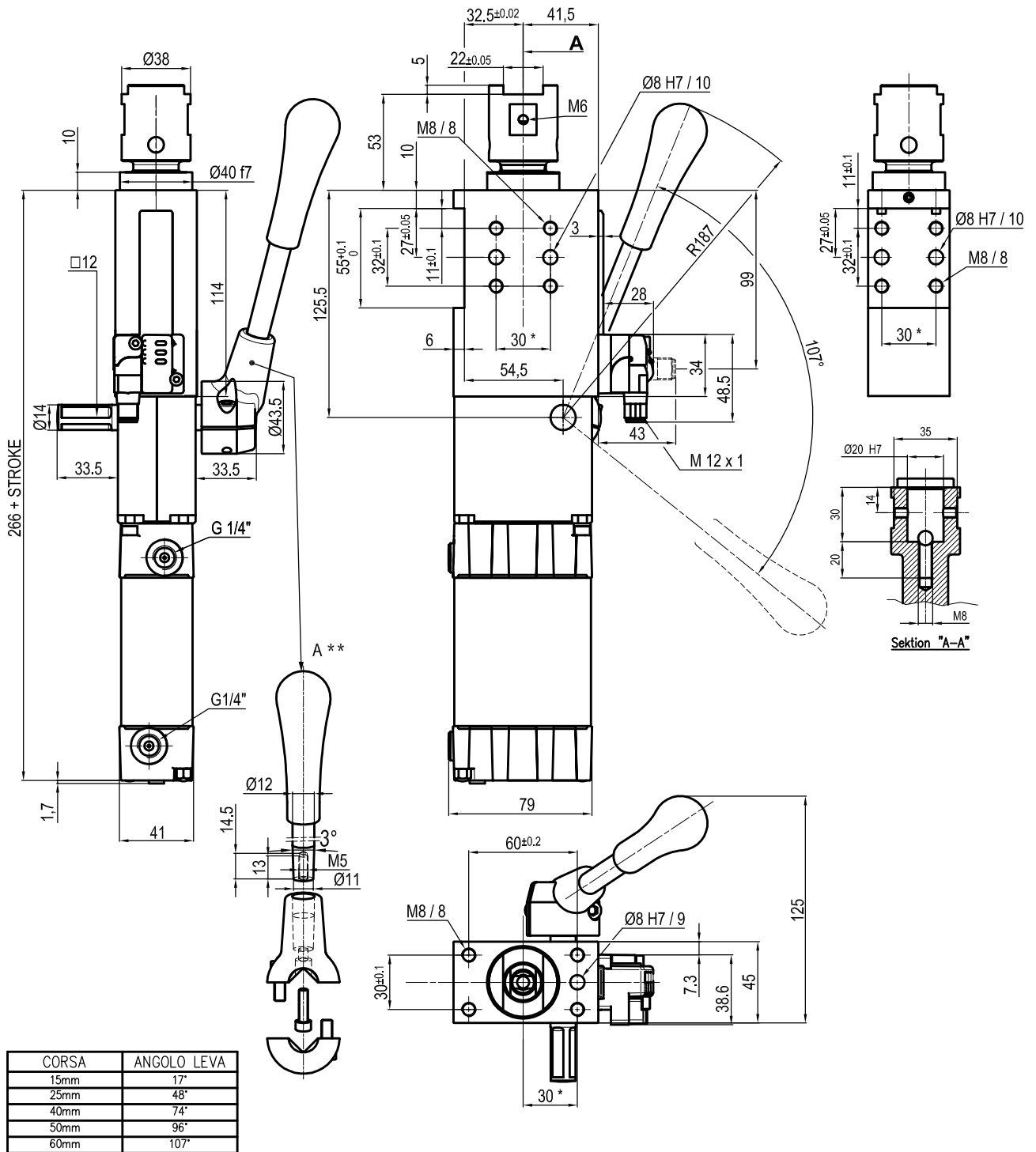
Bore Ø	Max. torque	Max. deflection moment	Weight
50 mm	6 Nm ±0.06°	7.5 Nm ±0.03°	3.4 Kg

Min./max. operating pressure: **0,4 / 0,6 MPa**
 Operating temperature: **5° + 45° C**
 Strokes in mm.: **15 - 25 - 40 - 50 - 60**
 With manual lever
 Electronic sensor with M12 swivel connector that can be orientated at 0° or 90°
 Supply voltage: 10÷30 Vdc
 IP code: **IP 65**
 Pneumatic ports on both sides

* : TOLERANCE BETWEEN DOWEL HOLES ± 0.02, TO SCREW HOLES ± 0.1
 ** : DIMENSIONS TO BE RESPECTED IN CASE OTHER MANUAL LEVERS ARE USED

Subject to technical modification without notice.

UNIVERSAL Pneumatic retractable locating pin unit



Min./max. operating pressure: **0,4 / 0,6 MPa**

Operating temperature: **5° + 45° C**

Strokes in mm.: **15 - 25 - 40 - 50 - 60**

With manual lever

Electronic sensor with M12 swivel connector that can be orientated at 0° or 90°

Supply voltage: 10÷30 Vdc

IP code: **IP 65**

Pneumatic ports on both sides

* : TOLERANCE BETWEEN DOWEL HOLES ± 0.02, TO SCREW HOLES ± 0.1

** : DIMENSIONS TO BE RESPECTED IN CASE OTHER MANUAL LEVERS ARE USED

Subject to technical modification without notice.