

LAE140

Unità di bloccaggio elettriche



L	A	E	1	4	0	V	C	3	1
1		2			3	4	5		

1 Serie	2 Taglia	3 Posizione pressore
----------------	-----------------	-----------------------------

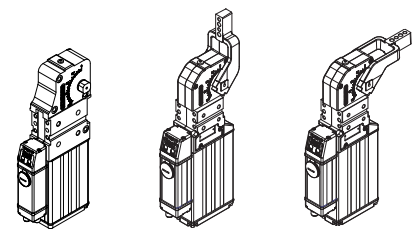
LAE = Unità di bloccaggio elettriche

140 = 140 Nm
Fissaggi intercambiabili con
unità di bloccaggio pneumatica,
Ø40 mm

N = Senza
pressore

O = 180°

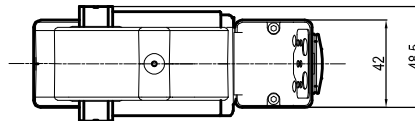
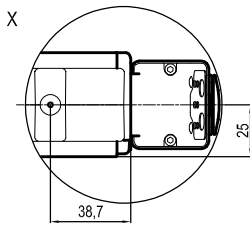
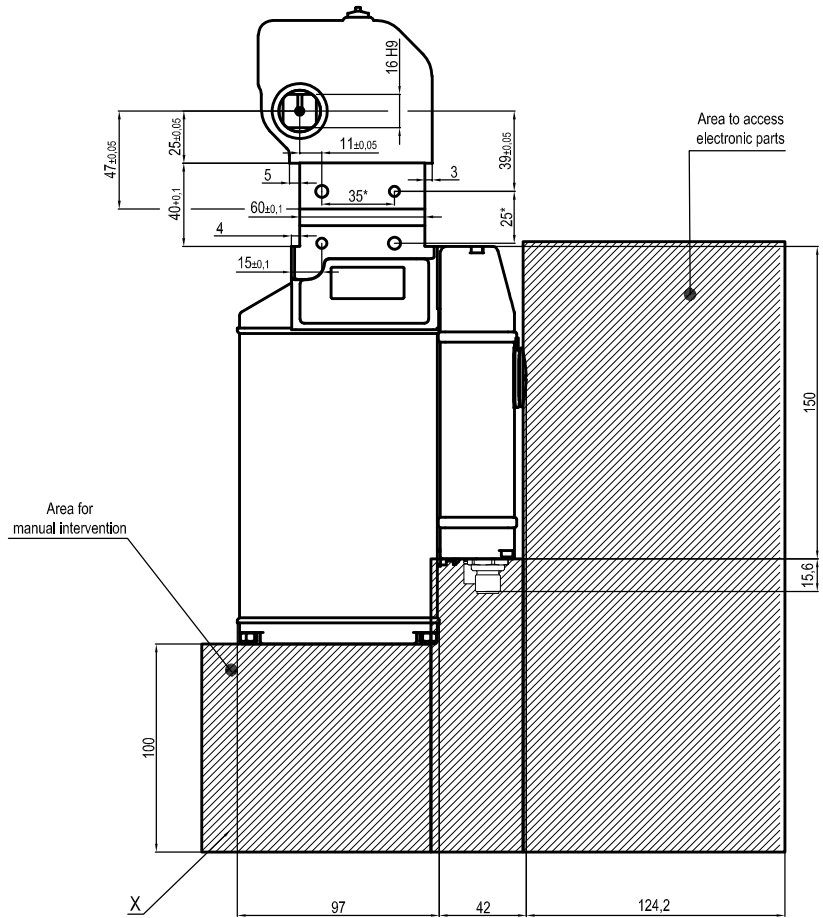
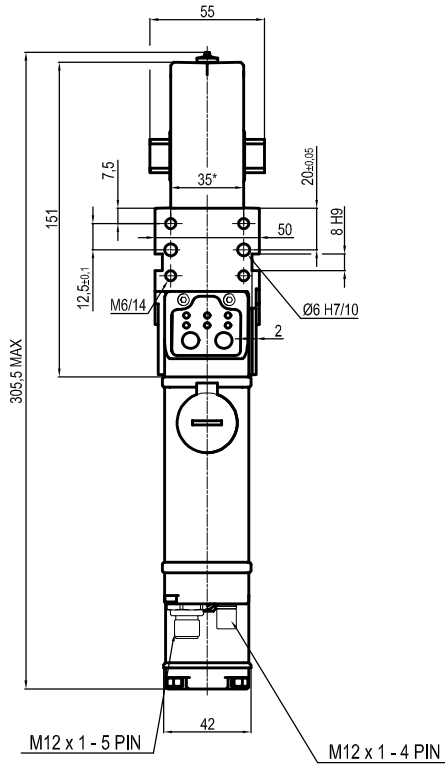
V = 90°



4 Tipologia di pressore	5 Unità di controllo
--------------------------------	-----------------------------

C = Centrale, 15 mm offset
D = Destro, 15 mm offset
S = Sinistro, 15 mm offset
N = Senza pressore

31 = 1 connettore M12 4 poli T CODE
+1 connettore M12 5 poli A CODE

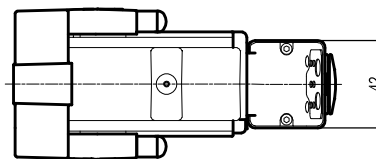
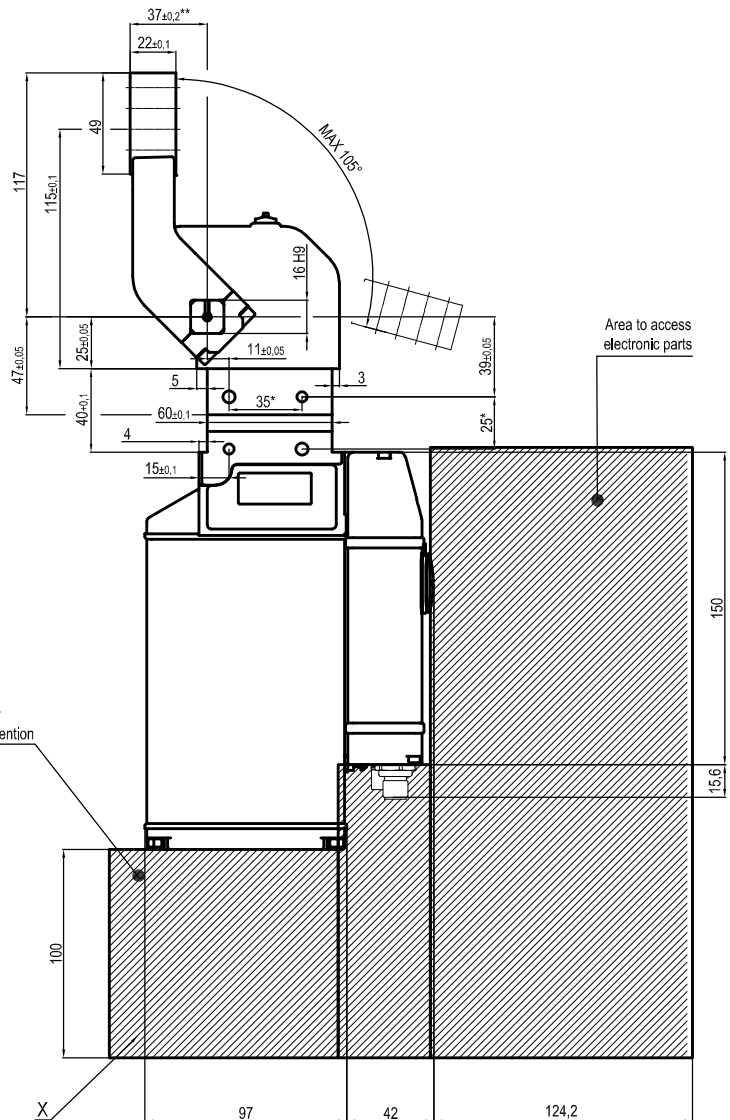
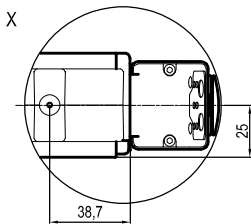
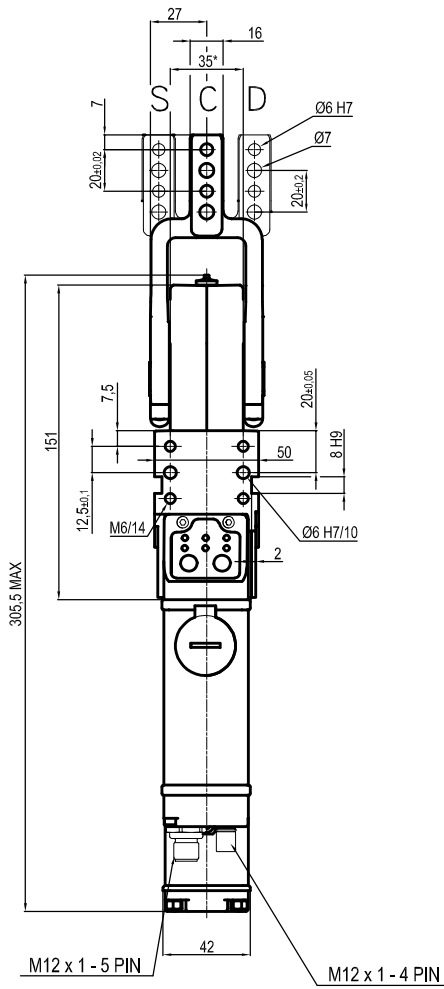


Size	Clamping moment	Closing time**	Weight
140	140 Nm	1.15 sec x 90°	2.5 Kg

Operating temperature : $5^{\circ} + 40^{\circ} \text{ C}$
 Opening angle : -
 IP code : IP 65

* : TOLERANCE BETWEEN DOWELS ± 0.02 , TO SCREW HOLES ± 0.1
 ** : FOR MORE DETAILS SEE TECHNICAL SPECIFICATIONS

UNIVERSAL Electric clamp



Size	Clamping moment	Closing time***	Weight (Whitout Arm)
140	140 Nm	1.15 sec x 90°	2.5 Kg

Operating temperature : 5° + 40° C
 Opening angle : 105° - 90° - 75° - 60° - 45° - 30° - 15°
 Horizontal arm mount position
 IP code : IP 65

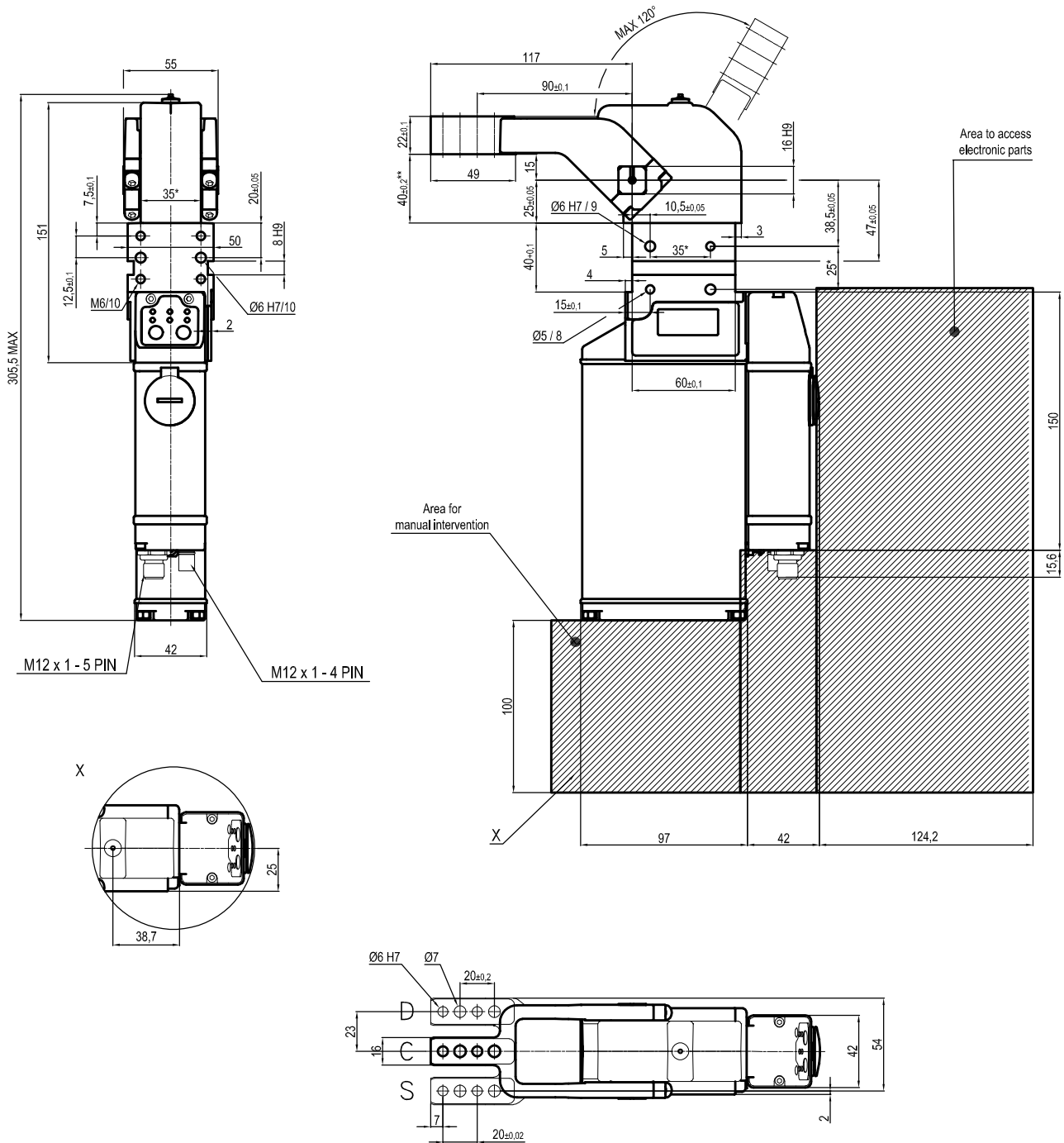
* : TOLERANCE BETWEEN DOWELS ± 0.02, TO SCREW HOLES ± 0.1

** : TOLERANCE AT 80mm FROM PIVOT POINT

*** : FOR MORE DETAILS SEE TECHNICAL SPECIFICATIONS

Subject to technical modifications without notice

UNIVERSAL Electric clamp



Size	Clamping moment	Closing time***	Weight (Whitout arm)
140	140 Nm	1.15 sec x 90°	2.5 Kg

Operating temperature : 5° + 40° C
 Opening angle : 120° - 105° - 90° - 75° - 60° - 45° - 30° - 15°
 Vertical arm mount position
 IP code : IP 65

* : TOLERANCE BETWEEN DOWELS \pm 0.02, TO SCREW HOLES \pm 0.1

** : TOLERANCE AT 80mm FROM PIVOT POINT

*** : FOR MORE DETAILS SEE TECHNICAL SPECIFICATIONS

Subject to technical modifications without notice