

1

CHARACTERISTICS

| | |
|---------------------|---|
| Ambient temperature | -5 ÷ +60 °C |
| Fluid | filtered air, with or without lubrication |
| Working pressure | 1 ÷ 10 bar |
| Body | aluminium alloy |
| Shafts | chromium-plated steel (JLS) hardened and chromium-plated steel (JLV) |
| Piston | aluminium alloy |
| Piston rod | chromium-plated stainless steel AISI 303 (Ø12-16-20) chromium-plated steel C45 (Ø25-32-40-50-63) |
| Guide bearing | bearings (JLS) ball bushing (JLV) |
| Piston seal | NBR |
| Cushion seals | NBR |
| Magnet | standard supplied |
| Flange | steel |



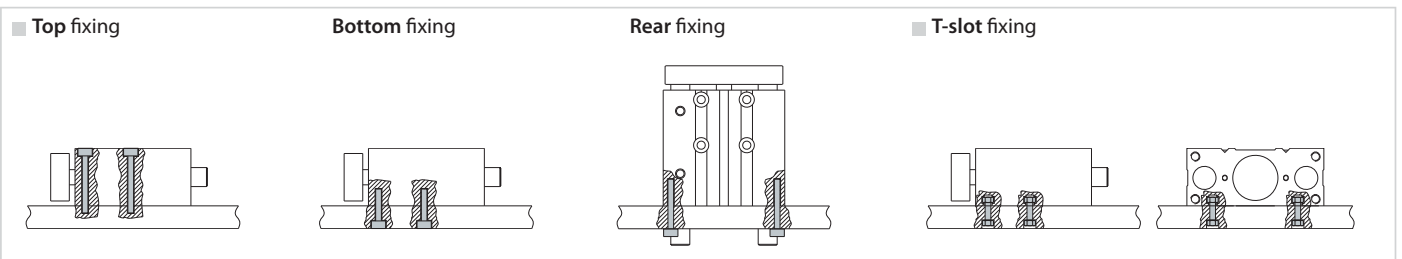
CODIFICATION KEY

| | | | | | | | | | |
|---|---|---|---|---|---|---|---|---|---|
| J | L | S | 0 | 1 | 2 | 0 | 0 | 3 | 0 |
| 1 | 2 | 3 | 4 | | | | | | |

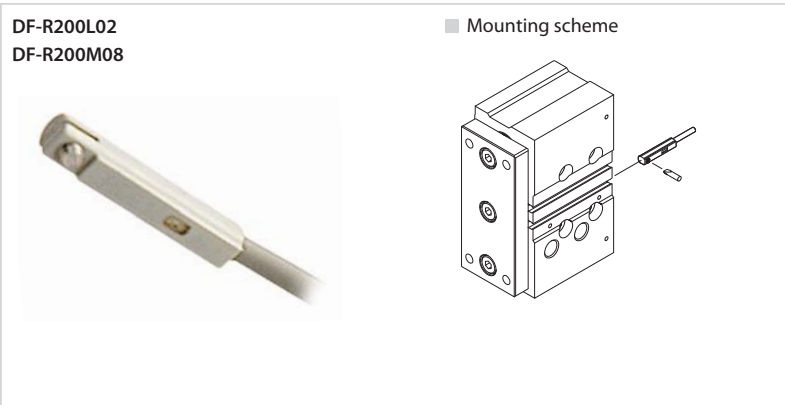
| | | |
|--|--|--|
| 1 Series JL = Guided Compact Cylinders | 2 Guide bearing S = Bearings V = Ball bushing | 3 Bore (mm) 012 = Ø12 032 = Ø32 016 = Ø16 040 = Ø40 020 = Ø20 050 = Ø50 025 = Ø25 063 = Ø63 |
|--|--|--|

| 4 Stroke (mm) | <table border="1"> <tr> <th colspan="2"></th> <th colspan="10">Strokes (mm)</th> </tr> <tr> <th>Ø</th> <th></th> <th>10</th><th>20</th><th>25</th><th>30</th><th>40</th><th>50</th><th>75</th><th>100</th><th>125</th><th>150</th><th>175</th><th>200</th> </tr> <tr> <td>12</td> <td></td> <td colspan="2">█</td> <td></td> <td colspan="2">█</td> <td></td> <td colspan="2">█</td> <td></td> <td colspan="2">█</td> <td></td> </tr> <tr> <td>16</td> <td></td> <td colspan="2">█</td> <td></td> <td colspan="2">█</td> <td></td> <td colspan="2">█</td> <td></td> <td colspan="2">█</td> <td></td> </tr> <tr> <td>20</td> <td></td> <td></td> <td>█</td> <td></td> <td colspan="2">█</td> <td></td> <td colspan="2">█</td> <td></td> <td colspan="2">█</td> <td></td> </tr> <tr> <td>25</td> <td></td> <td></td> <td>█</td> <td></td> <td colspan="2">█</td> <td></td> <td colspan="2">█</td> <td></td> <td colspan="2">█</td> <td></td> </tr> <tr> <td>32</td> <td></td> <td></td> <td></td> <td colspan="2">█</td> <td></td> <td colspan="2">█</td> <td></td> <td colspan="2">█</td> <td></td> <td></td> </tr> <tr> <td>40</td> <td></td> <td></td> <td></td> <td>█</td> <td></td> <td colspan="2">█</td> <td></td> <td colspan="2">█</td> <td></td> <td></td> <td></td> </tr> <tr> <td>50</td> <td></td> <td></td> <td></td> <td></td> <td>█</td> <td></td> <td colspan="2">█</td> <td></td> <td colspan="2">█</td> <td></td> <td></td> </tr> <tr> <td>63</td> <td></td> <td></td> <td></td> <td></td> <td></td> <td>█</td> <td></td> <td colspan="2">█</td> <td></td> <td colspan="2">█</td> <td></td> </tr> </table> | | | Strokes (mm) | | | | | | | | | | Ø | | 10 | 20 | 25 | 30 | 40 | 50 | 75 | 100 | 125 | 150 | 175 | 200 | 12 | | █ | | | █ | | | █ | | | █ | | | 16 | | █ | | | █ | | | █ | | | █ | | | 20 | | | █ | | █ | | | █ | | | █ | | | 25 | | | █ | | █ | | | █ | | | █ | | | 32 | | | | █ | | | █ | | | █ | | | | 40 | | | | █ | | █ | | | █ | | | | | 50 | | | | | █ | | █ | | | █ | | | | 63 | | | | | | █ | | █ | | | █ | | |
|----------------------|---|--------------|----|--------------|----|----|----|----|-----|-----|-----|-----|-----|---|--|----|----|----|----|----|----|----|-----|-----|-----|-----|-----|----|--|---|--|--|---|--|--|---|--|--|---|--|--|----|--|---|--|--|---|--|--|---|--|--|---|--|--|----|--|--|---|--|---|--|--|---|--|--|---|--|--|----|--|--|---|--|---|--|--|---|--|--|---|--|--|----|--|--|--|---|--|--|---|--|--|---|--|--|--|----|--|--|--|---|--|---|--|--|---|--|--|--|--|----|--|--|--|--|---|--|---|--|--|---|--|--|--|----|--|--|--|--|--|---|--|---|--|--|---|--|--|
| | | Strokes (mm) | | | | | | | | | | | | | | | | | | | | | | | | | | | | | | | | | | | | | | | | | | | | | | | | | | | | | | | | | | | | | | | | | | | | | | | | | | | | | | | | | | | | | | | | | | | | | | | | | | | | | | | | | | | | | | | | | | | | | | | | | | | | | | | | | | | | | | | | | |
| Ø | | 10 | 20 | 25 | 30 | 40 | 50 | 75 | 100 | 125 | 150 | 175 | 200 | | | | | | | | | | | | | | | | | | | | | | | | | | | | | | | | | | | | | | | | | | | | | | | | | | | | | | | | | | | | | | | | | | | | | | | | | | | | | | | | | | | | | | | | | | | | | | | | | | | | | | | | | | | | | | | | | | | | | | | | | | | | | | |
| 12 | | █ | | | █ | | | █ | | | █ | | | | | | | | | | | | | | | | | | | | | | | | | | | | | | | | | | | | | | | | | | | | | | | | | | | | | | | | | | | | | | | | | | | | | | | | | | | | | | | | | | | | | | | | | | | | | | | | | | | | | | | | | | | | | | | | | | | | | | | | | | | | | | | | |
| 16 | | █ | | | █ | | | █ | | | █ | | | | | | | | | | | | | | | | | | | | | | | | | | | | | | | | | | | | | | | | | | | | | | | | | | | | | | | | | | | | | | | | | | | | | | | | | | | | | | | | | | | | | | | | | | | | | | | | | | | | | | | | | | | | | | | | | | | | | | | | | | | | | | | | |
| 20 | | | █ | | █ | | | █ | | | █ | | | | | | | | | | | | | | | | | | | | | | | | | | | | | | | | | | | | | | | | | | | | | | | | | | | | | | | | | | | | | | | | | | | | | | | | | | | | | | | | | | | | | | | | | | | | | | | | | | | | | | | | | | | | | | | | | | | | | | | | | | | | | | | | |
| 25 | | | █ | | █ | | | █ | | | █ | | | | | | | | | | | | | | | | | | | | | | | | | | | | | | | | | | | | | | | | | | | | | | | | | | | | | | | | | | | | | | | | | | | | | | | | | | | | | | | | | | | | | | | | | | | | | | | | | | | | | | | | | | | | | | | | | | | | | | | | | | | | | | | | |
| 32 | | | | █ | | | █ | | | █ | | | | | | | | | | | | | | | | | | | | | | | | | | | | | | | | | | | | | | | | | | | | | | | | | | | | | | | | | | | | | | | | | | | | | | | | | | | | | | | | | | | | | | | | | | | | | | | | | | | | | | | | | | | | | | | | | | | | | | | | | | | | | | | | | |
| 40 | | | | █ | | █ | | | █ | | | | | | | | | | | | | | | | | | | | | | | | | | | | | | | | | | | | | | | | | | | | | | | | | | | | | | | | | | | | | | | | | | | | | | | | | | | | | | | | | | | | | | | | | | | | | | | | | | | | | | | | | | | | | | | | | | | | | | | | | | | | | | | | | | |
| 50 | | | | | █ | | █ | | | █ | | | | | | | | | | | | | | | | | | | | | | | | | | | | | | | | | | | | | | | | | | | | | | | | | | | | | | | | | | | | | | | | | | | | | | | | | | | | | | | | | | | | | | | | | | | | | | | | | | | | | | | | | | | | | | | | | | | | | | | | | | | | | | | | | |
| 63 | | | | | | █ | | █ | | | █ | | | | | | | | | | | | | | | | | | | | | | | | | | | | | | | | | | | | | | | | | | | | | | | | | | | | | | | | | | | | | | | | | | | | | | | | | | | | | | | | | | | | | | | | | | | | | | | | | | | | | | | | | | | | | | | | | | | | | | | | | | | | | | | | |

Fixing schemes



DF-R magnetic sensor



Upon request

