

LAGP063

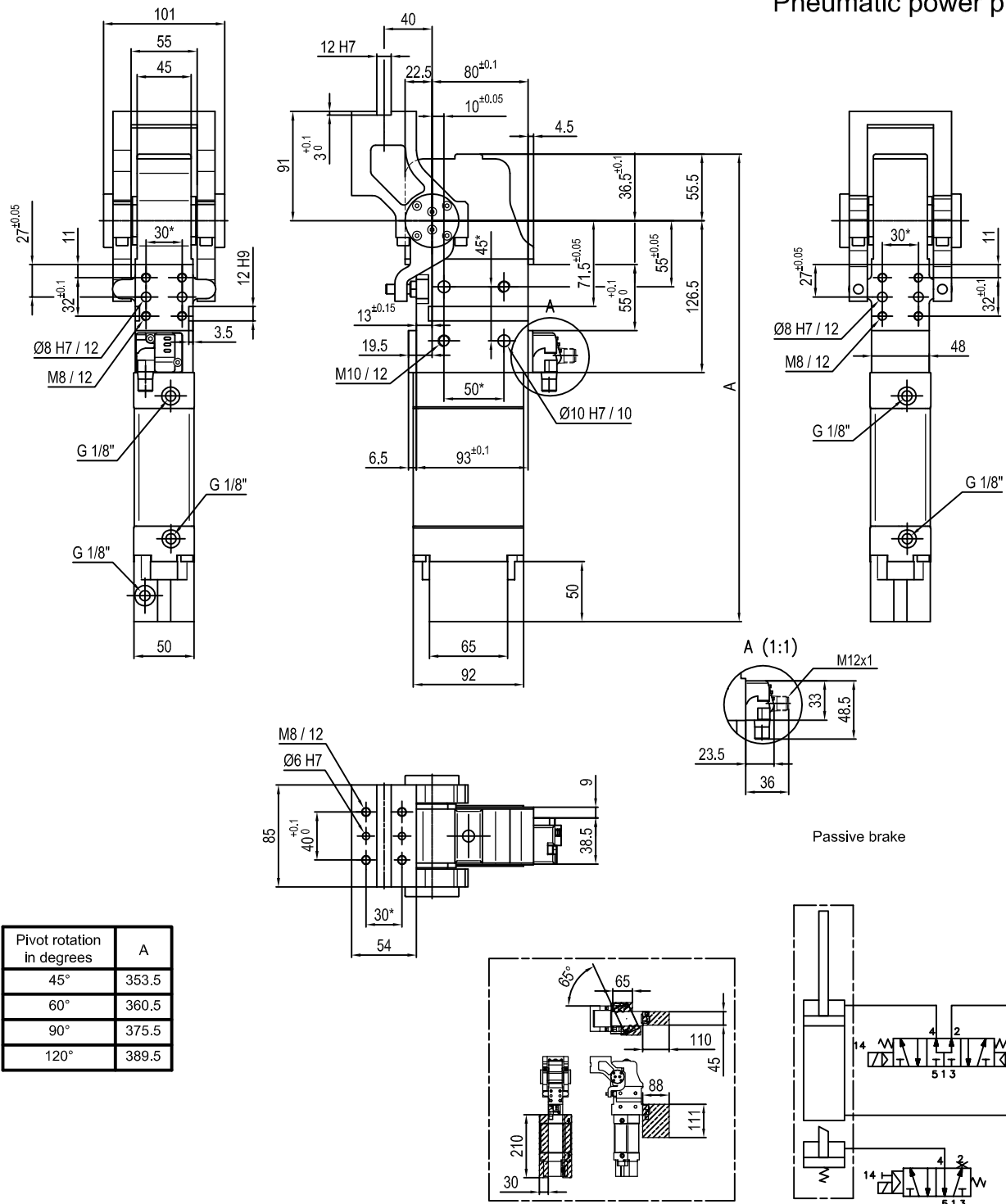
Pneumatic power pivot



L	A	G	P	0	6	3	V	U	0	9	0	B
1	2	3			4	5	6		7			

1 Series LAG = Power pivot with predeterminate pivot rotation angles	2 Version P = Pneumatic-standard	3 Size 063 = Ø 63 mm cylinder
4 Table position V = Vertical 180° O = Horizontal 90° Z = Vertical, mirror of V position Max opening angle 120° P = Horizontal, mirror of O position Max opening angle 60°	5 Sensor U = Electronic sensor with M12 swivel connector	6 Pivot rotation angles 120 = 120° 090 = 90° 060 = 60° 045 = 45°
7 Brake system B = With brake		

Pneumatic power pivot



Pivot rotation in degrees	A
45°	353.5
60°	360.5
90°	375.5
120°	389.5

Size	Holding moment	Max. torque at the rotary table 0,55 MPa	Weight
63	1750 Nm	11 Nm	5,2 Kg

Min./Max. operating pressure: **0,4 / 0,6 MPa**

Operating temperature: **5° + 45° C**

Predeterminate pivot rotation in degrees: **45° - 60° - 90° - 120°**

Electronic sensor with M12 swivel connector that can be orientated at 0° or 90°

Supply voltage: 10÷30 V DC

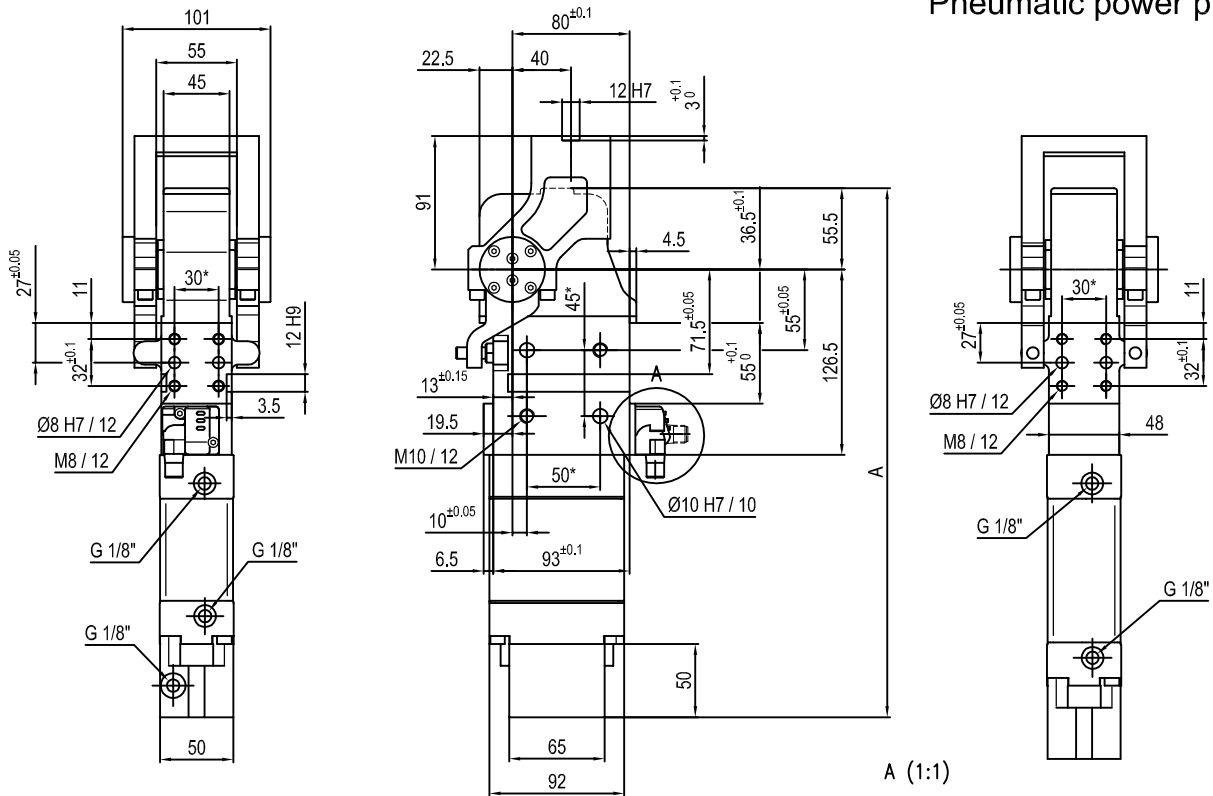
IP code: **IP 65**

Pneumatic ports on both sides

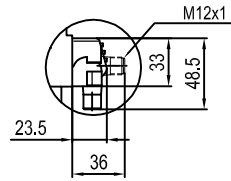
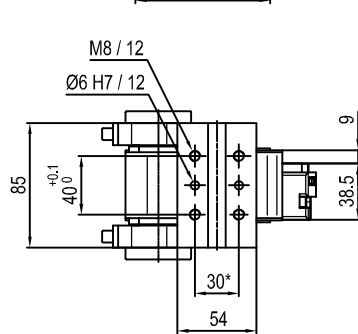
* : TOLERANCE BETWEEN DOWEL HOLES ± 0.02, TO SCREW HOLES ± 0.1

Subject to technical modifications without notice.

Pneumatic power pivot

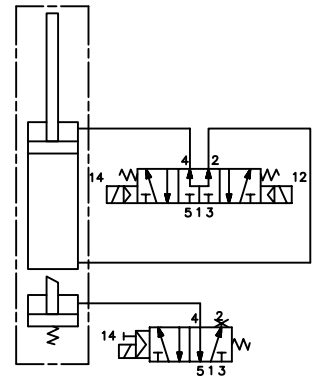
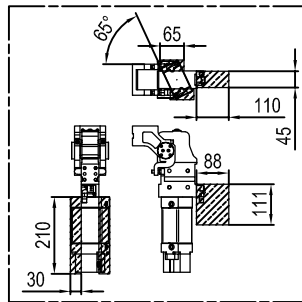


A (1:1)



Passive brake

Pivot rotation in degrees	A
45°	353.5
60°	360.5



Size	Holding moment	Max. torque at the rotary table 0,55 MPa	Weight
63	1750 Nm	11 Nm	5,2 Kg

Min./Max. operating pressure: **0,4 / 0,6 MPa**

Operating temperature: **5° + 45° C**

Predeterminate pivot rotation in degrees: **45° - 60°**

Electronic sensor with M12 swivel connector that can be orientated at 0° or 90°

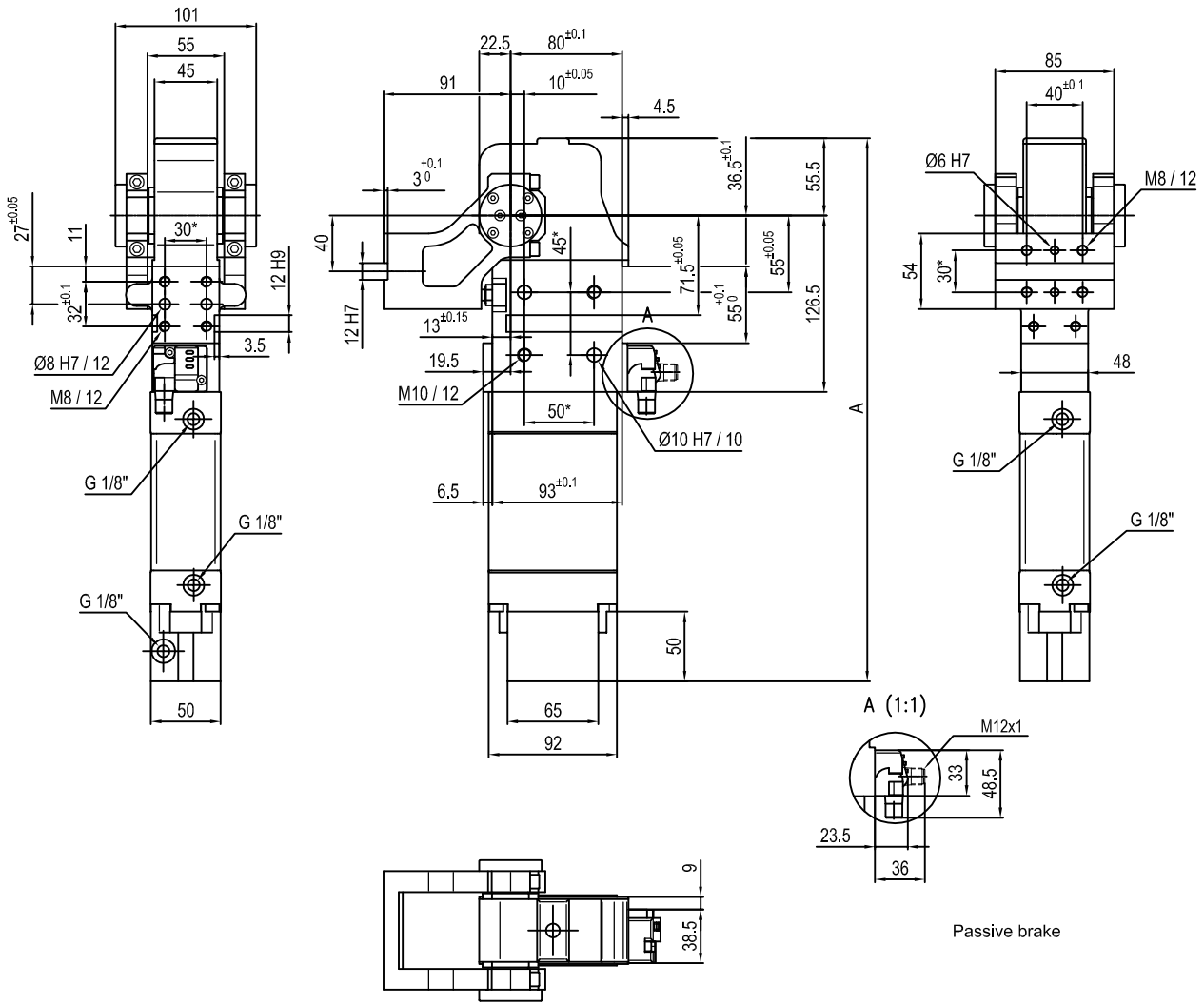
Supply voltage: 10-30 V DC

IP code: **IP 65**

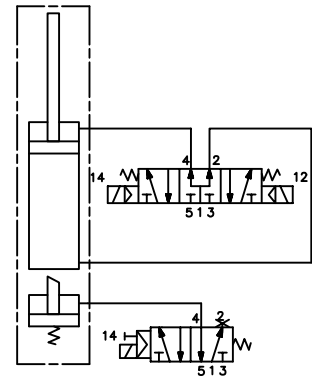
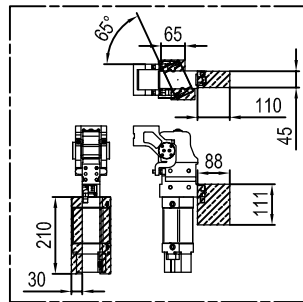
Pneumatic ports on both sides

* : TOLERANCE BETWEEN DOWEL HOLES ± 0.02, TO SCREW HOLES ± 0.1

Pneumatic power pivot



Pivot rotation in degrees	A
45°	353.5
60°	360.5
90°	375.5
120°	389.5



Size	Holding moment	Max. torque at the rotary table 0,55 MPa	Weight
63	1750 Nm	11 Nm	5,2 Kg

Min./Max. operating pressure: **0,4 / 0,6 MPa**

Operating temperature: **5° + 45° C**

Predeterminate pivot rotation in degrees: **45° - 60° - 90° - 120°**

Electronic sensor with M12 swivel connector that can be orientated at 0° or 90°

Supply voltage: 10÷30 V DC

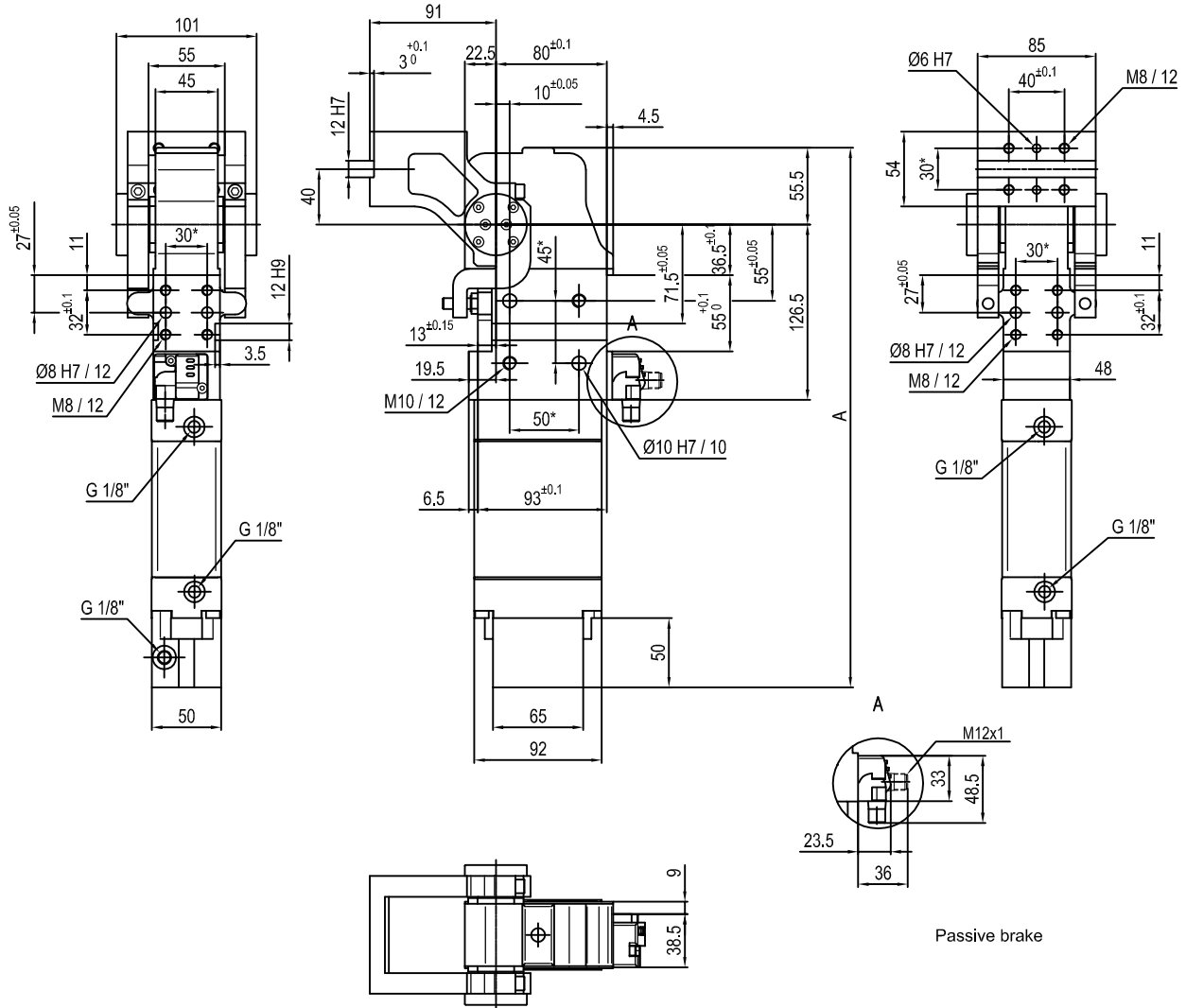
IP code: **IP 65**

Pneumatic ports on both sides

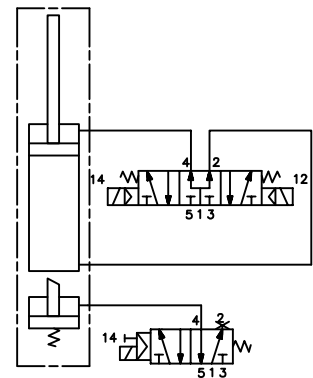
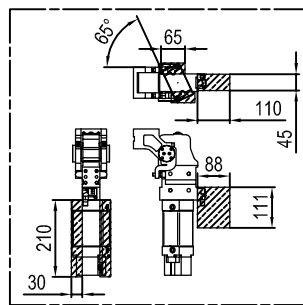
* : TOLERANCE BETWEEN DOWEL HOLES ± 0.02, TO SCREW HOLES ± 0.1

Subject to technical modifications without notice.

Pneumatic power pivot



Pivot rotation in degrees	A
45°	353.5
60°	360.5
90°	375.5
120°	389.5



Passive brake

Size	Holding moment	Max. torque at the rotary table 0,55 MPa	Weight
63	1750 Nm	11 Nm	5,2 Kg

Min./Max. operating pressure: **0,4 / 0,6 MPa**

Operating temperature: **5° + 45° C**

Predeterminate pivot rotation in degrees: **45° - 60° - 90° - 120°**

Electronic sensor with M12 swivel connector that can be orientated at 0° or 90°

Supply voltage: 10÷30 V DC

IP code: **IP 65**

Pneumatic ports on both sides

* : TOLERANCE BETWEEN DOWEL HOLES ± 0.02, TO SCREW HOLES ± 0.1