

LCO50

Pneumatic retractable locating pin units
with manual lever,
double rod



L	C	O	5	0	0	5	0	E	A	R
1	2	3	4		5	6	7			

1 Series	2 Version	3 Size
-----------------	------------------	---------------

LC = Retractable locating pin unit

O = Pneumatic with manual lever,
double rod

50 = Ø 50 mm

4 Strokes	5 Sensor	6 Rod end style
------------------	-----------------	------------------------

015 = 15 mm
025 = 25 mm
040 = 40 mm
050 = 50 mm
060 = 60 mm

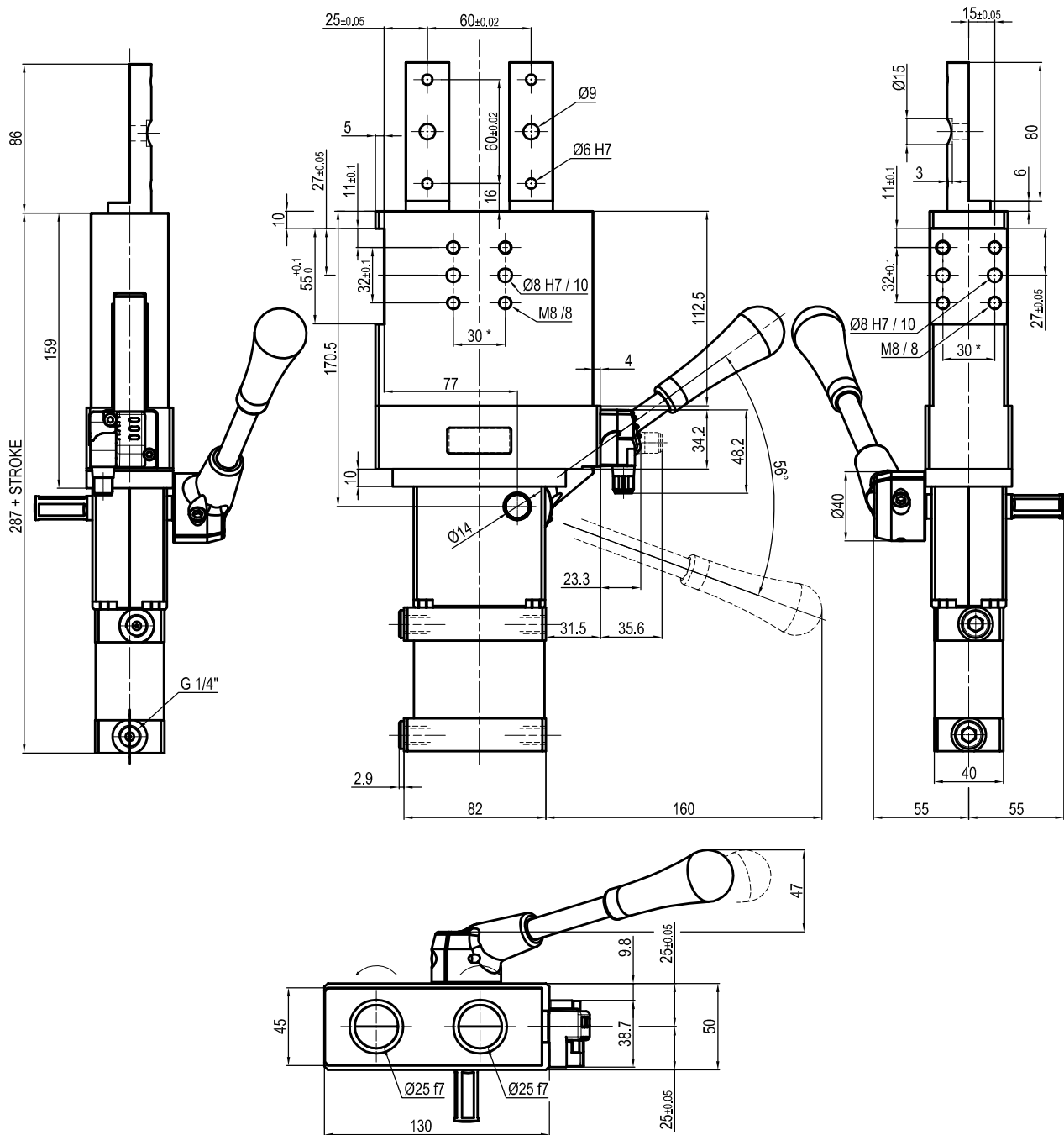
E = Electronic sensor with M12
swivel connector
N = No sensor
(with protection plate)

A = Rod for off -set pins

7 Rod scraper

R = Metallic rod scraper

UNIVERSAL Pneumatic retractable locating pin unit 2 rods, with manual lever



Bore Ø	Max. torque	Max. deflection moment	Weight
50 mm	20 Nm ±0.1°	20 Nm ±0.03°	6.2 Kg

Min./max. operating pressure: **0,4 / 0,6 MPa**
 Operating temperature: **5° + 45° C**
 Strokes in mm.: **15 - 25 - 40 - 50 - 60**
 With manual lever
 Electronic sensor with M12 swivel connector that can be orientated at 0° or 90°
 Supply voltage: 10±30 Vdc
 IP code: **IP 65**
 Pneumatic ports on both sides

* : TOLERANCE BETWEEN DOWEL HOLES ± 0.02, TO SCREW HOLES ± 0.1

Subject to technical modification without notice.