

LCX50

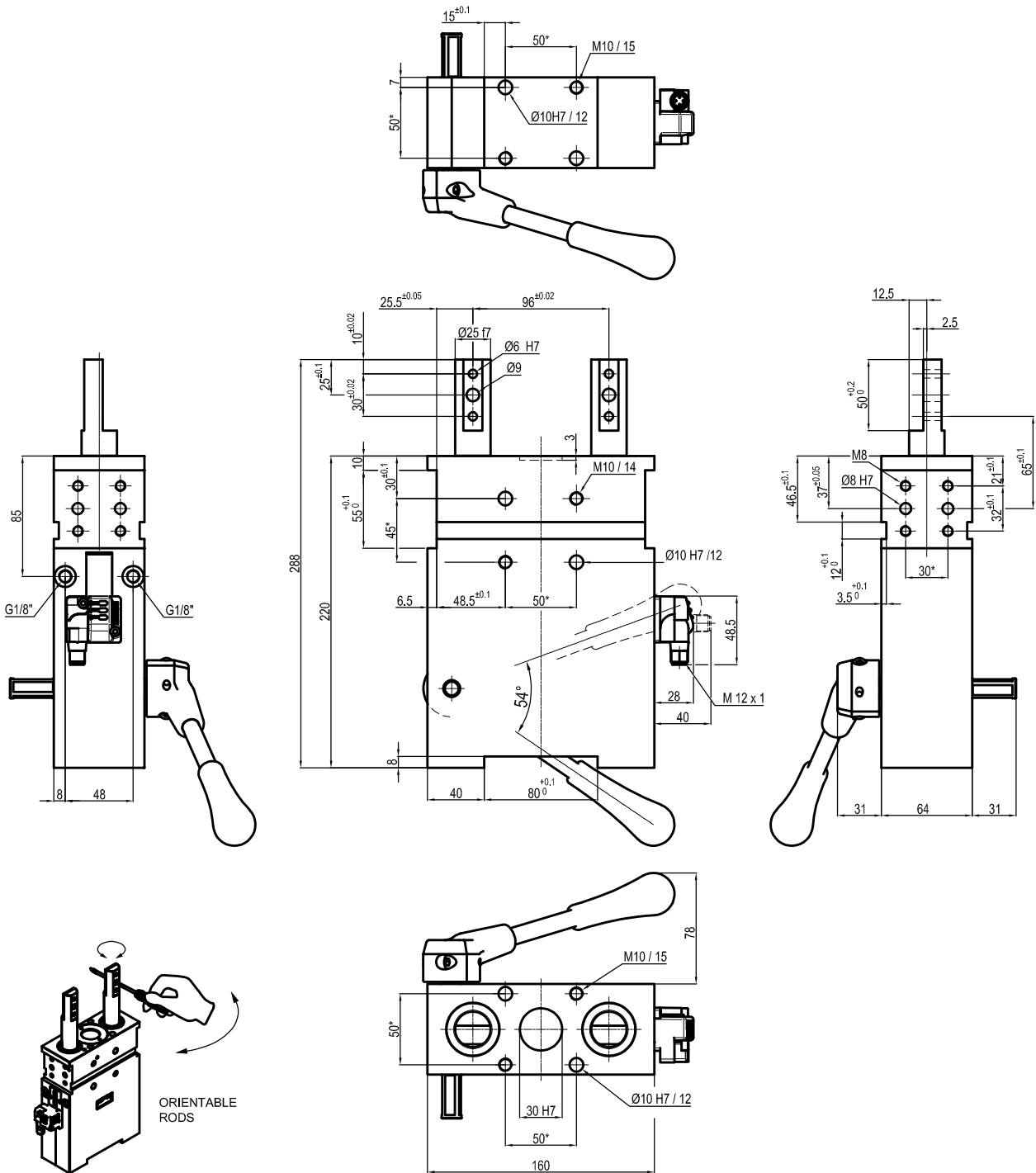
Irreversible pneumatic retractable locating pin unit with hand lever, double orientable rod



L	C	X	5	0	0	4	0	E	A	R
1	2	3	4		5	6	7			

1 Series LC = Retractable locating pin unit	2 Version X = Irreversible pneumatic with hand lever, double orientable rod	3 Size 50 = Ø 50 mm
4 Strokes 040 = 40 mm	5 Sensor N = No sensor (with protection plate) E = Electronic sensor with M12 swivel connector	6 Rod end style A = Rod for off-set pins G = Rod for off-set pins (rod plane matching body middle axis)
7 Rod scraper R = Metallic rod scraper		

Retractable locating pin unit with toggle mechanism two rods and handlever



Min./max. operating pressure: 0,4 / 0,6 MPa
 Operating temperature: 5° + 45° C
 Strokes in mm.: 40 mm

Bore Ø	Pull force at 0,5 MPa	Push force at 0,5 MPa	Weight
50 mm	6500 N	7150 N	7.3 Kg

Electronic 24 Vdc sensor with M12 swivel connector that can be orientated at 0° or 90°
 Supply voltage: 10*30 Vdc

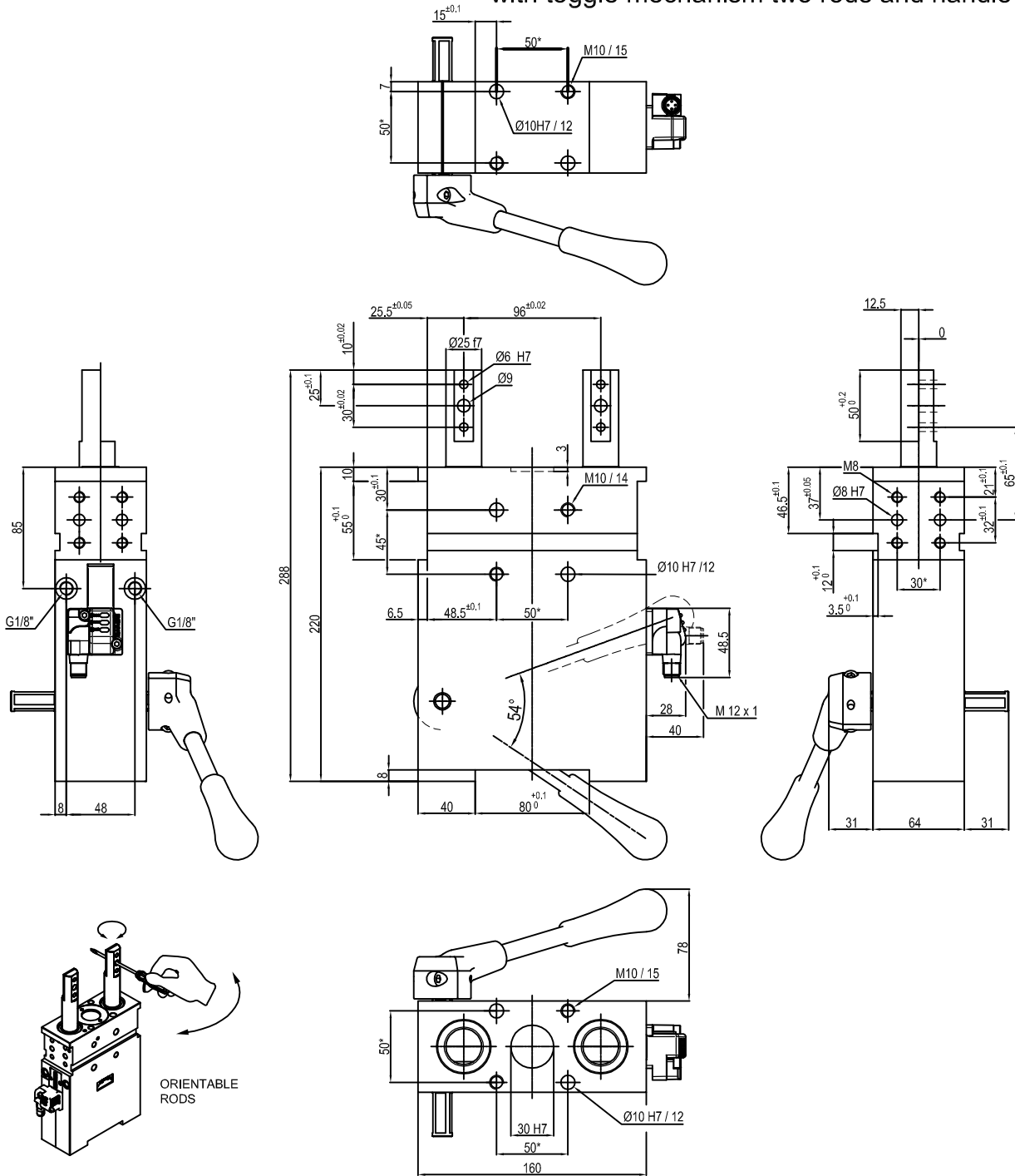
IP code: IP 65
 Pneumatic ports on both sides

Max. side load: 400 N
 Max. deflection: 0,1 mm, whit 40 mm stroke at max load
 Max. offset: 200 mm from middle point

* : TOLERANCE BETWEEN DOWEL HOLES ± 0.02, TO SCREW HOLES ± 0.1

Subject to technical modification without notice.

UNIVERSAL Retractable locating pin unit with toggle mechanism two rods and handlever



Min./max. operating pressure: 0,4 / 0,6 MPa
 Operating temperature: 5° + 45° C
 Strokes in mm.: 40 mm

Electronic 24 Vdc sensor with M12 swivel connector that can be oriented at 0° or 90°
 Supply voltage: 10+30 Vdc

IP code: IP 65
 Pneumatic ports on both sides

Max. side load: 400 N
 Max. deflection: 0,1 mm, whit 40 mm stroke at max load
 Max. offset: 200 mm from middle point

Bore Ø	Pull force at 0,5 MPa	Push force at 0,5 MPa	Weight
50 mm	6500 N	7150 N	7.3 Kg

* : TOLERANCE BETWEEN DOWEL HOLES ± 0.02, TO SCREW HOLES ± 0.1

Subject to technical modification without notice.