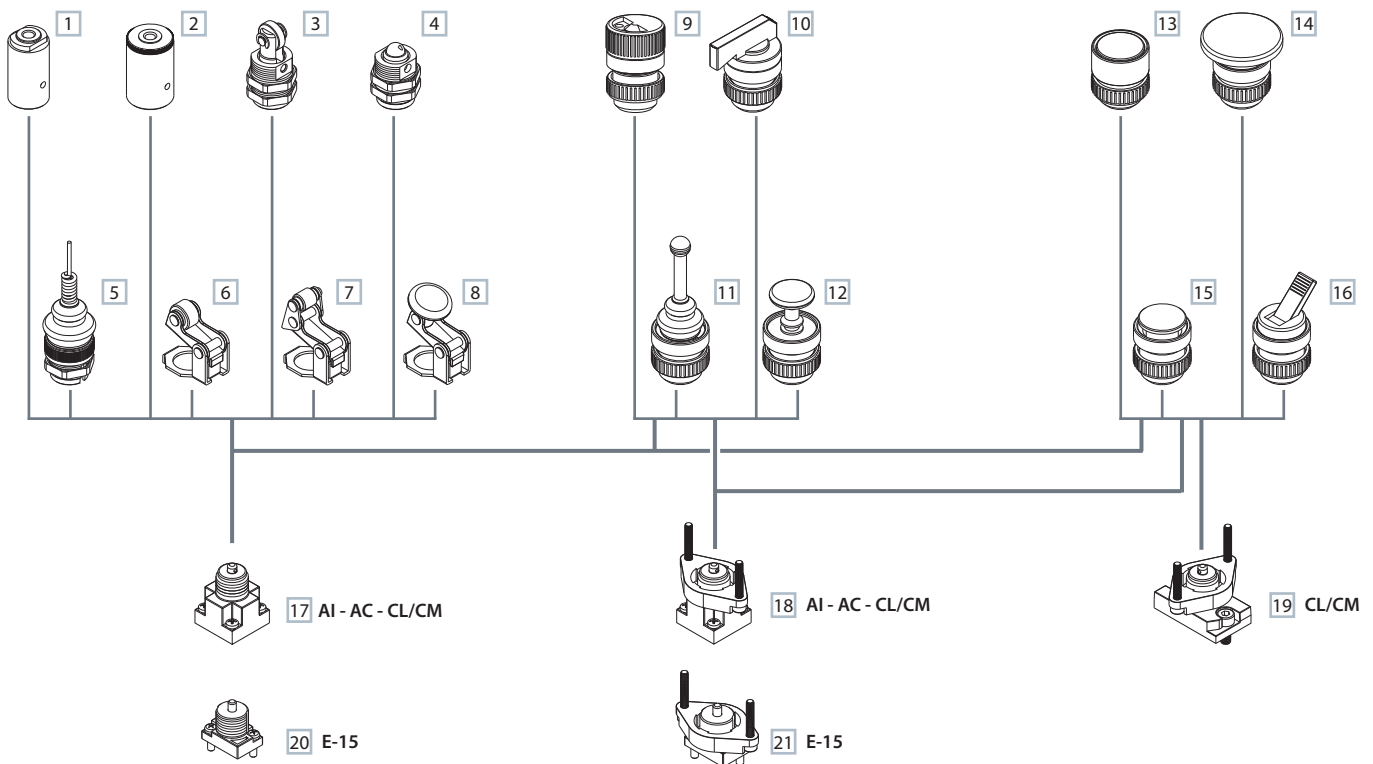


BUTTONS



Modular system actuators/buttons



PNEUMATIC / MECHANICAL ACTUATORS

- 1 Pneumatic actuator
- 2 Amplified pneumatic actuator
- 3 Roller operator 1 position
- 4 Ball-push operator 1 position
- 5 Operator with omni-directional antenna 1 position
- 6 Roller lever operator 1 position
- 7 Articulated roller lever operator 1 position
- 8 Key operator 1 position

MANUAL ACTUATORS

- 9 Rotating selector
- 10 Rotating lever selector
- 11 Omni-directional operator
- 12 Push-pull operator
- 13 Recessed button
- 14 Head button
- 15 Button
- 16 Lever operator

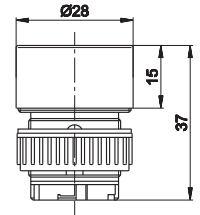
OVERRIDE

- 17 Threaded indirect operation
- 18 Indirect operation for panel mounting
- 19 Direct operation for panel mounting
- 20 Direct operation with tappet
- 21 Direct operation with tappet for panel mounting

Recessed button



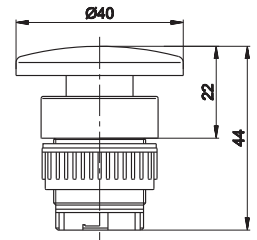
Symbol	Colour	Force ^(a) N	Weight Kg	Part no.
1 POSITION				
	black ■	16	0,031	AI-3511
	red ■	16	0,031	AI-3512
	green ■	16	0,031	AI-3513
FOR PANEL MOUNTING 1 POSITION (b)				
	black ■	16	0,031	AI-3511Q
	red ■	16	0,031	AI-3512Q
	green ■	16	0,031	AI-3513Q



Head button



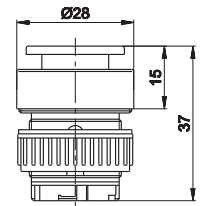
Symbol	Colour	Force ^(a) N	Weight Kg	Part
1 POSITION				
	red ■	16	0,022	AI-3514
	black ■	16	0,022	AI-3516
FOR PANEL MOUNTING 1 POSITION (b)				
	red ■	16	0,022	AI-3514Q
	black ■	16	0,022	AI-3516Q
2 POSITIONS				
	red ■	16	0,022	AI-3514D
	black ■	16	0,022	AI-3516D
FOR PANEL MOUNTING 2 POSITIONS (b)				
	red ■	16	0,022	AI-3514QD
	black ■	16	0,022	AI-3516QD



Button



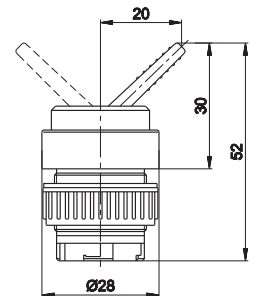
Symbol	Colour	Force ^(a) N	Weight Kg	Part no.
1 POSITION				
	green ■	12,5	0,025	AI-3515
	red ■	12,5	0,025	AI-3517
	black ■	12,5	0,025	AI-3519
FOR PANEL MOUNTING 1 POSITION (b)				
	green ■	12,5	0,025	AI-3515Q
	red ■	12,5	0,025	AI-3517Q
	black ■	12,5	0,025	AI-3519Q



Lever operator



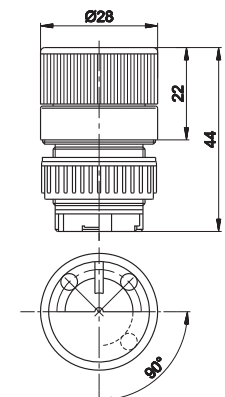
Symbol	Colour	Force ^(a) N	Weight Kg	Part no.
2 POSITIONS				
	black ■	6	0,022	AI-3524
FOR PANEL MOUNTINGS 2 POSITIONS (b)				
	black ■	6	0,022	AI-3524Q



Accident prevention rotating selector



Symbol	Colour	Force ^(a) N	Weight Kg	Part no.
WITH INDICATOR LAMP 1 POSITION				
	black ■	12,5	0,025	AI-3521
FOR PANEL MOUNTING WITH INDICATOR LAMP 1 POSITION (b)				
	black ■	12,5	0,025	AI-3521Q
WITH INDICATOR LAMP 2 POSITIONS				
	black ■	12,5	0,025	AI-3520
FOR PANEL MOUNTING WITH INDICATOR LAMP 2 POSITIONS (b)				
	black ■	12,5	0,025	AI-3520Q

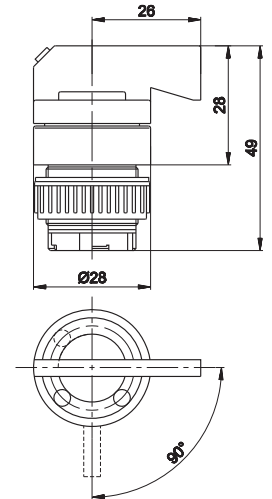


(a) = force at 6 bar with actuators assembled on AI-35.. standard limit switch
 (b) = to be used with valves preset with flange for panel mounting

Rotating lever selector



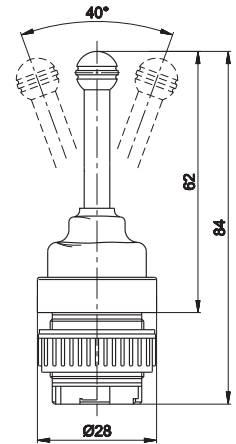
Symbol	Colour	Force (a) N	Weight Kg	Part no.
WITH INDICATOR LAMP 1 POSITION				
	black ■	12,5	0,025	AI-3523
FOR PANEL MOUNTING WITH INDICATOR LAMP 1 POSITION (b)				
	black ■	12,5	0,025	AI-3523Q
WITH INDICATOR LAMP 2 POSITIONS				
	black ■	12,5	0,025	AI-3522
FOR PANEL MOUNTING WITH INDICATOR LAMP 2 POSITIONS (b)				
	black ■	12,5	0,025	AI-3522Q



Omni-directional operator



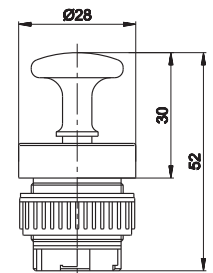
Symbol	Colour	Force (a) N	Weight Kg	Part no.
WITH CENTRE RETURN 1 POSITION				
	■	7	0,029	AI-3525
FOR PANEL MOUNTING WITH CENTRE RETURN 1 POSITION (b)				
	■	7	0,029	AI-3525Q



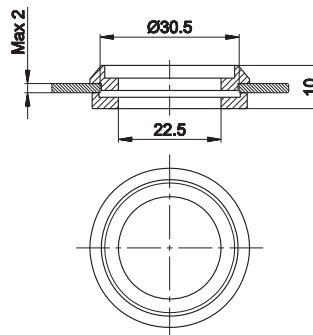
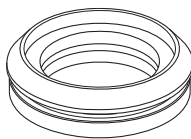
Push-pull operator



Symbol	Colour	Force (a) N	Weight Kg	Part no.
2 POSITIONS				
	black ■	16	0,029	AI-3526
FOR PANEL MOUNTING 2 POSITIONS (b)				
	black ■	16	0,029	AI-3526Q



AI-3529



reducer for Ø 30,5 to Ø 22,5, to be used with AI-35..Q limit switches (for details refer to next page)

(a) = force at 6 bar with actuators assembled on AI-35..

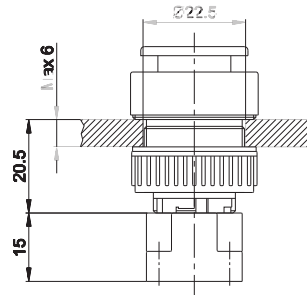
(b) = to be used with valves preset with flange for panel mounting

Reducer

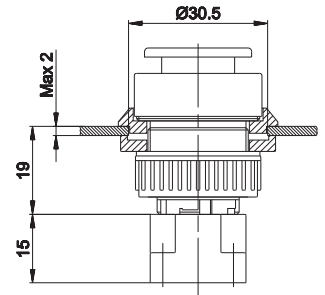


Manual actuators for screw mounting (ring nut)

Panel mounting for $\varnothing 22,5$ bore sizes

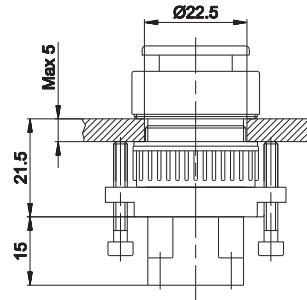


Panel mounting for $\varnothing 30,5$ bore sizes



Manual actuators for panel mounting (ring nut+screws)

Panel mounting for $\varnothing 22,5$ bore sizes

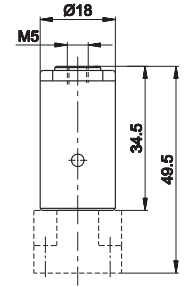


Panel mounting for $\varnothing 30,5$ bore sizes, just for manual actuators with screw

Pneumatic operator



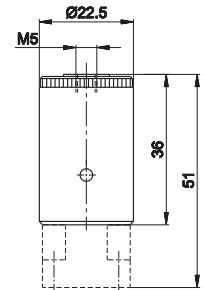
Symbol	Control pressure bar	Operating pressure bar	Weight Kg	Part no.
	1,9÷2,7	1÷9	0,020	AI-3550



Amplified pneumatic operator



Symbol	Control pressure bar	Operating pressure bar	Weight Kg	Part no.
	0,6÷0,9	1÷9	0,030	AI-3551



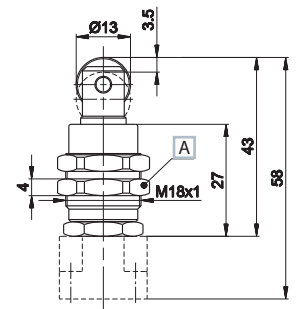
Roller operator



Wrench 20

Symbol	Force (a) N	Weight Kg	Part no.
	-	0,031	AI-3560

WITH DUST PROTECTION



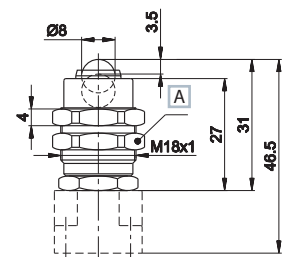
Ball-push operator



Wrench 20

Symbol	Force (a) N	Weight Kg	Part no.
	26	0,023	AI-3562

WITH DUST PROTECTION



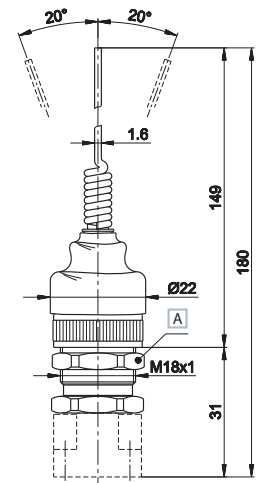
Operator with omni-directional antenna



Wrench 20

Symbol	Force (a) N	Weight Kg	Part no.
	3,3	0,034	AI-3563

1 POSITION WITH CENTRE RETURN



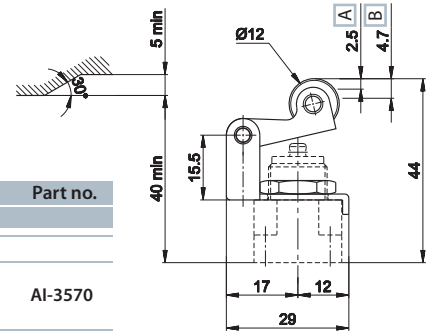
(a) = force at 6 bar with actuators assembled on AI-35..standard limit switch

Roller lever operator



A Max opening
B Total stroke

Symbol	Force (a) N	Weight Kg	Part no.
1 POSITION			
	10	0,021	AI-3570

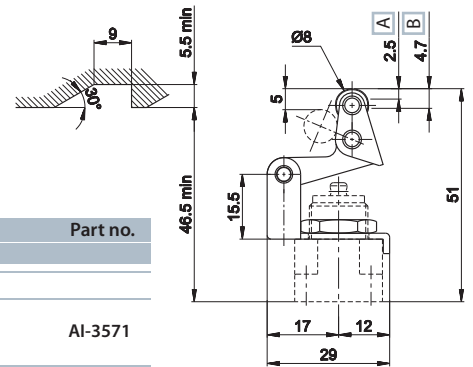


Articulated roller operator



A Max opening
B Total stroke

Symbol	Force (a) N	Weight Kg	Part no.
1 POSITION			
	10	0,021	AI-3571

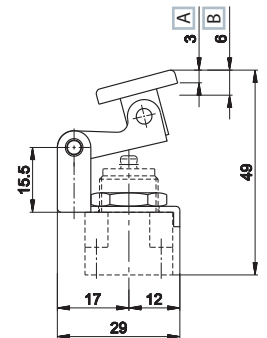


Key operator



A Max opening
B Total stroke

Symbol	Force (a) N	Weight Kg	Part no.
1 POSITION			
	10	0,021	AI-3572



(a) = force at 6 bar with actuators assembled on AI-35..