

LAGP170

Unità rotante pneumatica



L	A	G	P	1	7	0	V	E	0	9	0	B	C	
1	2	3	4	5	6	7	8	9						

1 Serie

LAG = Unità rotante con angoli di rotazione determinanti

2 Versione

P = Pneumatica standard

3 Taglia

170 = Cilindro Ø 125 mm

4 Posizione tavola

V = Verticale 180°
O = Orizzontale 90°
Z = Verticale, speculare alla posizione V massima apertura angolare 120°
P = Orizzontale, speculare alla posizione O massima apertura angolare 60°

5 Sensore di posizione

E = Sensore elettronico con connettore M12 orientabile
A = Sensore elettronico con connettore M12 orientabile + sensore elettronico per rilevamento condizione freno

6 Angoli di rotazione

120 = 120°
090 = 90°
060 = 60°
045 = 45°

7 Blocco di stazionamento

B = Con blocco di stazionamento
W = Senza blocco di stazionamento

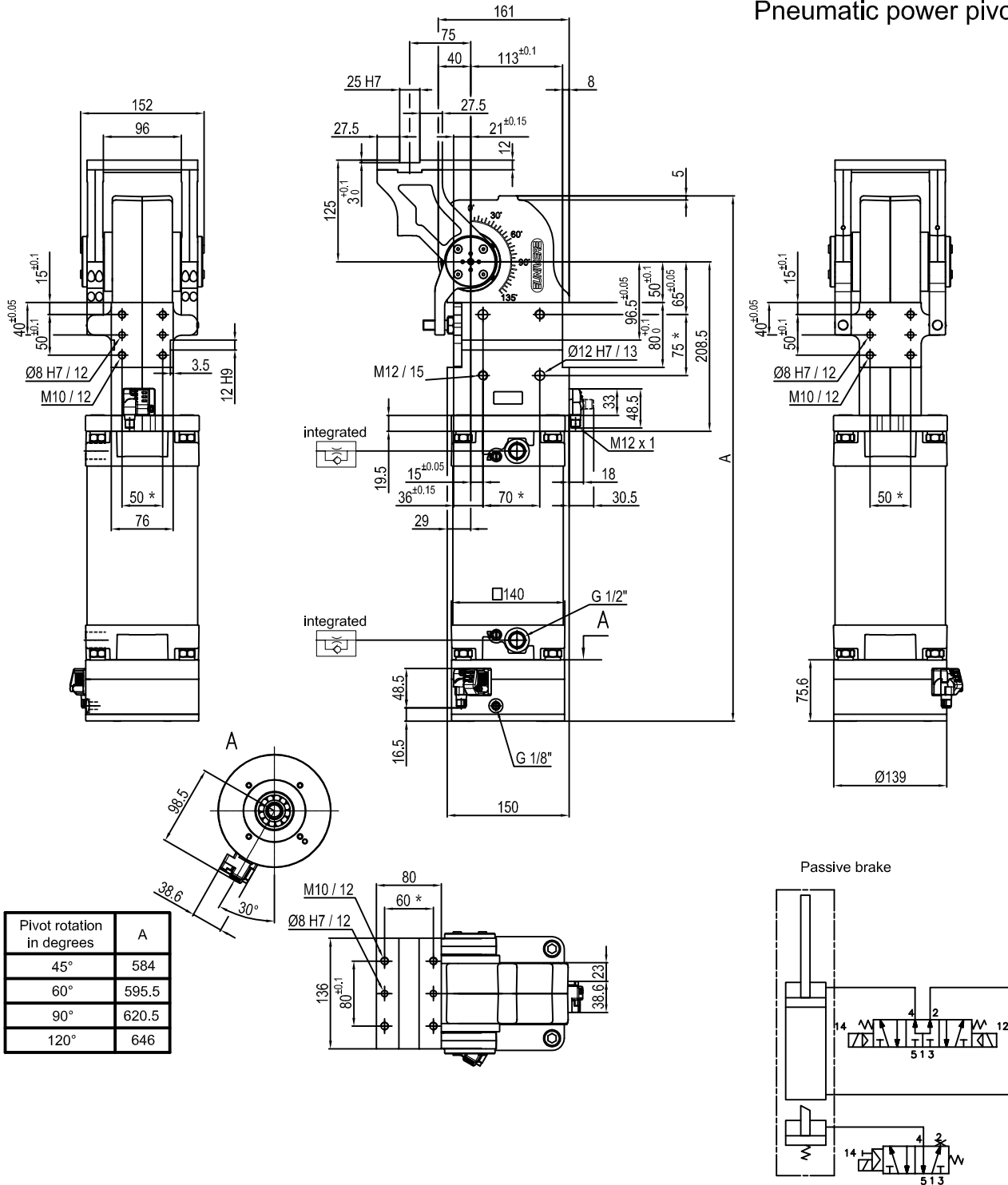
8 Valvola

C = Valvola integrata per ottimizzazione tempo ciclo

9 Connessioni

_ = Se non specificato lato sinistro (parte sinistra del sensore)
D = Lato destro (parte destra del sensore)
F = Frontale (di fronte al sensore)
P = Posteriore (stesso lato del sensore)

Pneumatic power pivot

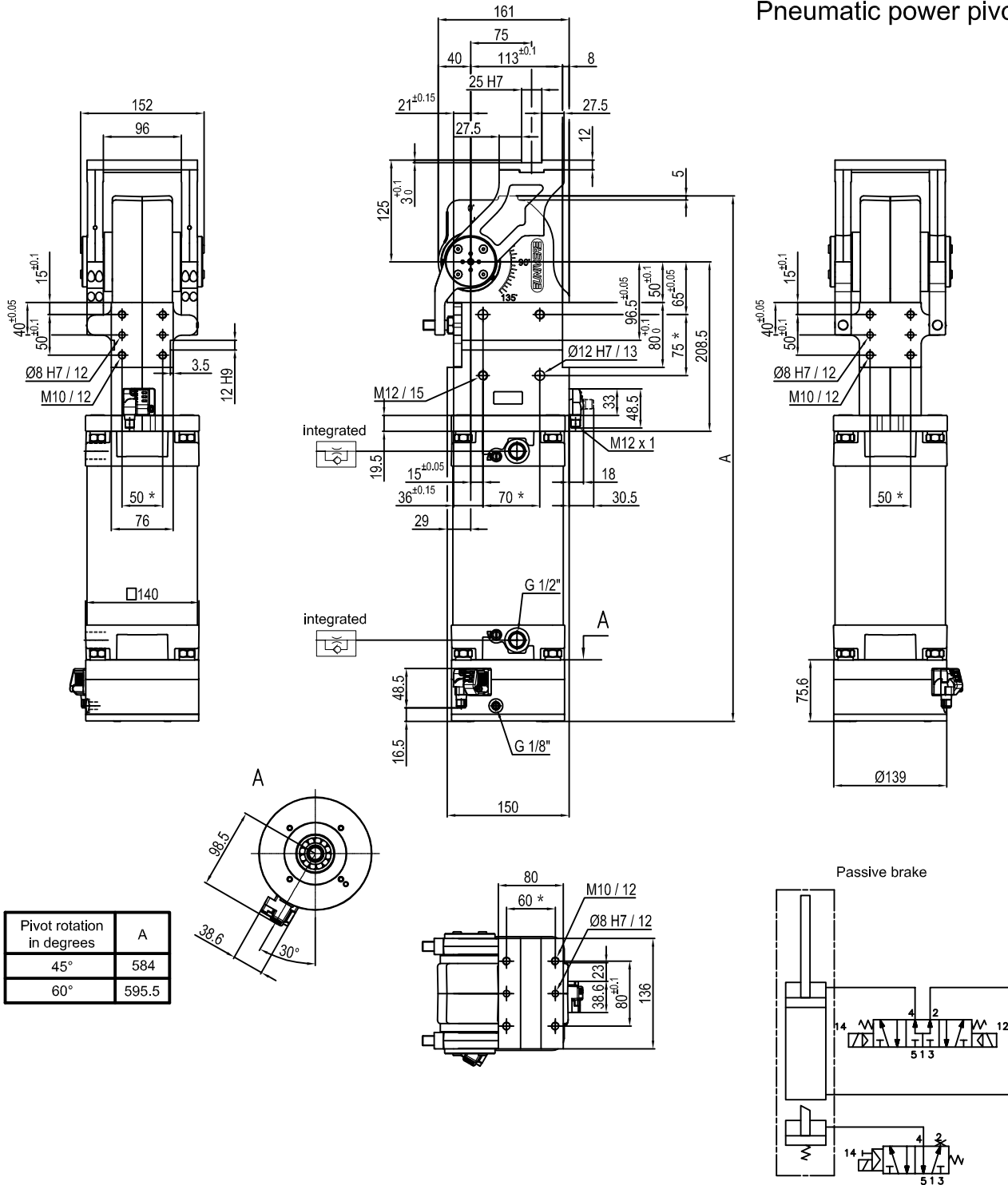


* : TOLERANCE BETWEEN DOWEL HOLES ± 0.02, TO SCREW HOLES ± 0.1

Subject to technical modifications without notice.

Min./Max. operating pressure: **0,4 / 0,6 MPa**
 Operating temperature: **5° + 45° C**
 Predetermine pivot rotation in degrees: **45° - 60° - 90° - 120°**
 Electronic sensor with M12 swivel connector that can be orientated at 0° or 90°
 Supply voltage: 10÷30 V DC
 IP code: **IP 65**

Pneumatic power pivot



Pivot rotation in degrees	A
45°	584
60°	595.5

Size	Holding moment	Max. torque at the rotary table 0,55 MPa	Weight
170	4000 Nm	170 Nm	22.6 Kg

Min./Max. operating pressure: **0,4 / 0,6 MPa**

Operating temperature: **5° + 45° C**

Predetermine pivot rotation in degrees: **45° - 60°**

Electronic sensor with M12 swivel connector that can be orientated at 0° or 90°

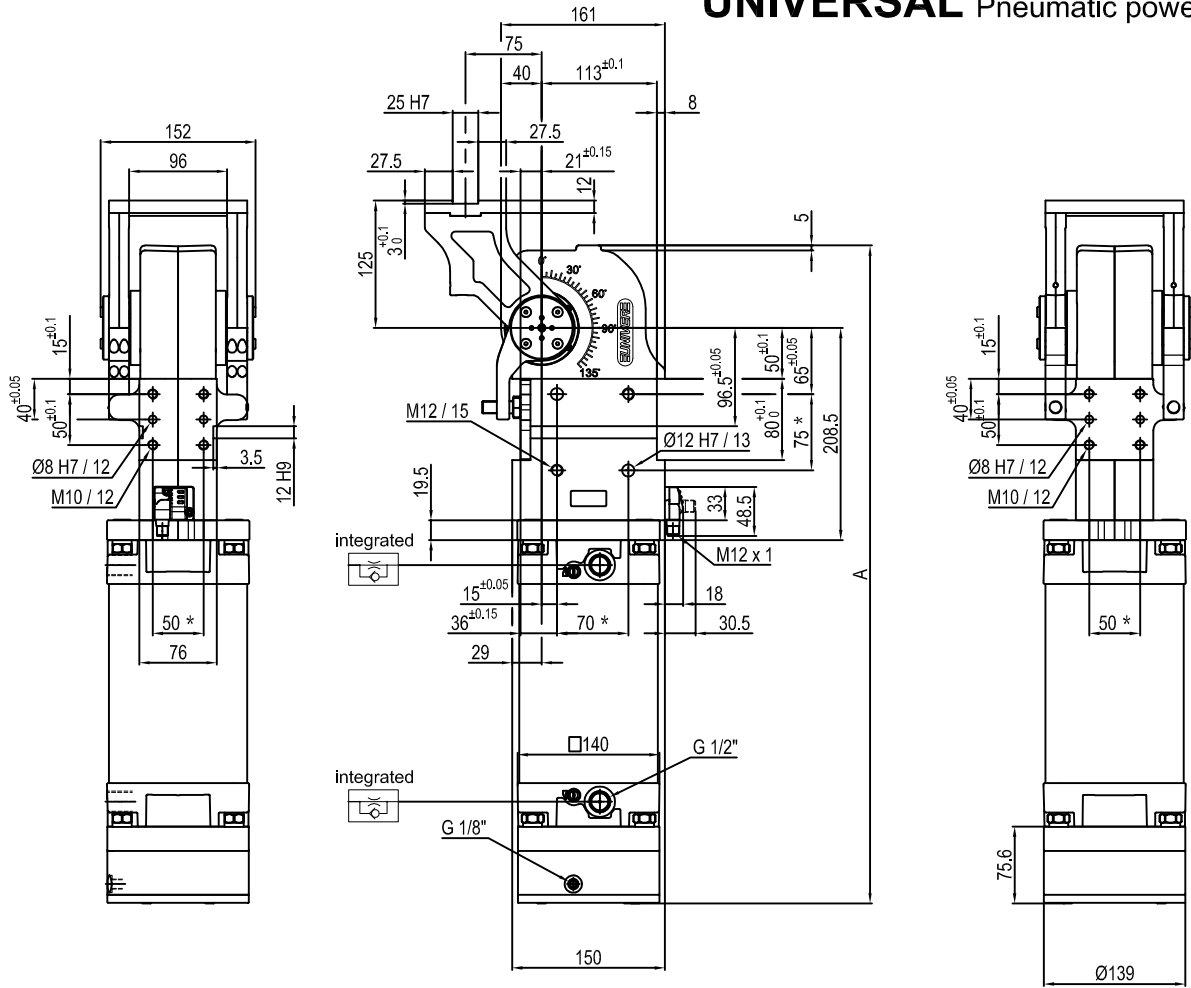
Supply voltage: 10+30 V DC

IP code: **IP 65**

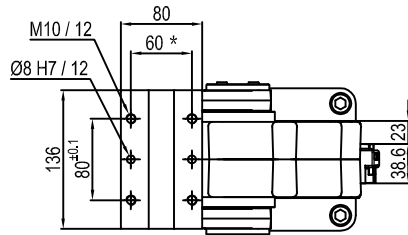
* : TOLERANCE BETWEEN DOWEL HOLES ± 0.02, TO SCREW HOLES ± 0.1

Subject to technical modifications without notice.

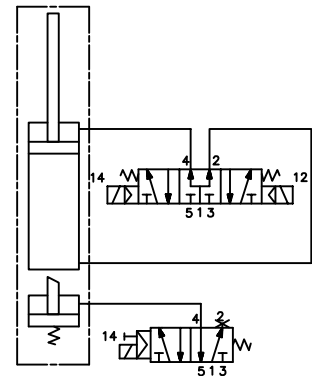
UNIVERSAL Pneumatic power pivot



Pivot rotation in degrees	A
45°	584
60°	595.5
90°	620.5
120°	646



Passive brake



Size	Holding moment	Max. torque at the rotary table 0,55 MPa	Weight
170	4000 Nm	170 Nm	22.3 Kg

Min./Max. operating pressure: 0,4 / 0,6 MPa

Operating temperature: 5° + 45° C

Predeterminate pivot rotation in degrees: 45° - 60° - 90° - 120°

Electronic sensor with M12 swivel connector that can be orientated at 0° or 90°

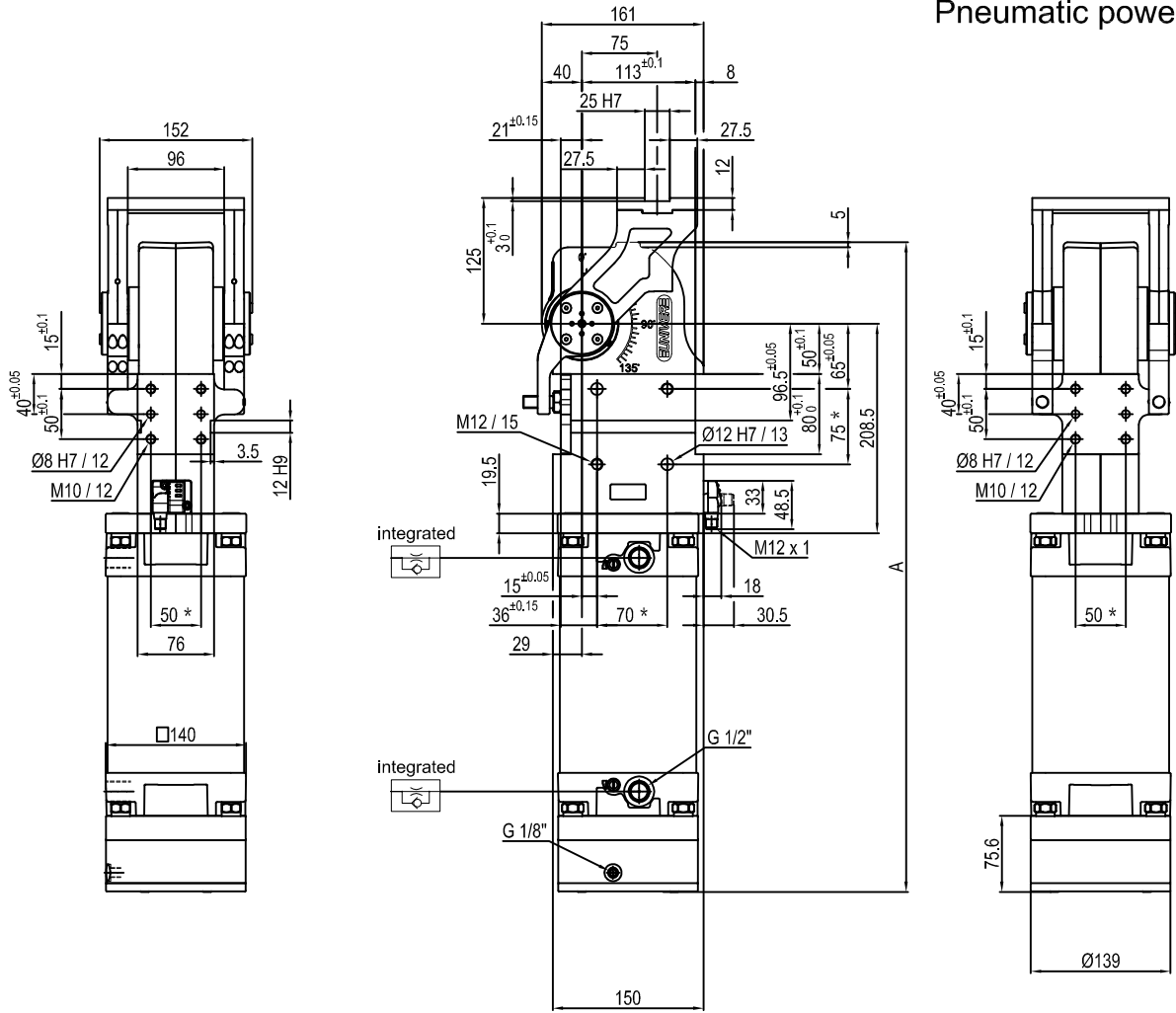
Supply voltage: 10+30 V DC

IP code: IP 65

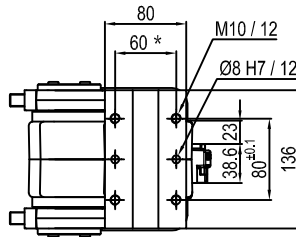
* : TOLERANCE BETWEEN DOWEL HOLES ± 0.02, TO SCREW HOLES ± 0.1

Subject to technical modifications without notice.

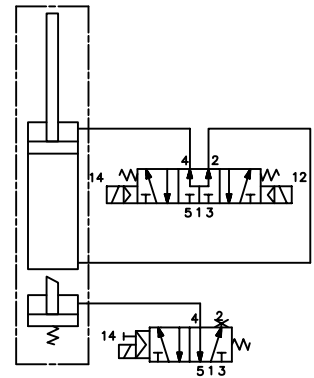
Pneumatic power pivot



Pivot rotation in degrees	A
45°	584
60°	595.5



Passive brake



Size	Holding moment	Max. torque at the rotary table 0,55 MPa	Weight
170	4000 Nm	170 Nm	22.3 Kg

Min./Max. operating pressure: 0,4 / 0,6 MPa

Operating temperature: 5° + 45° C

Predetermine pivot rotation in degrees: 45° - 60°

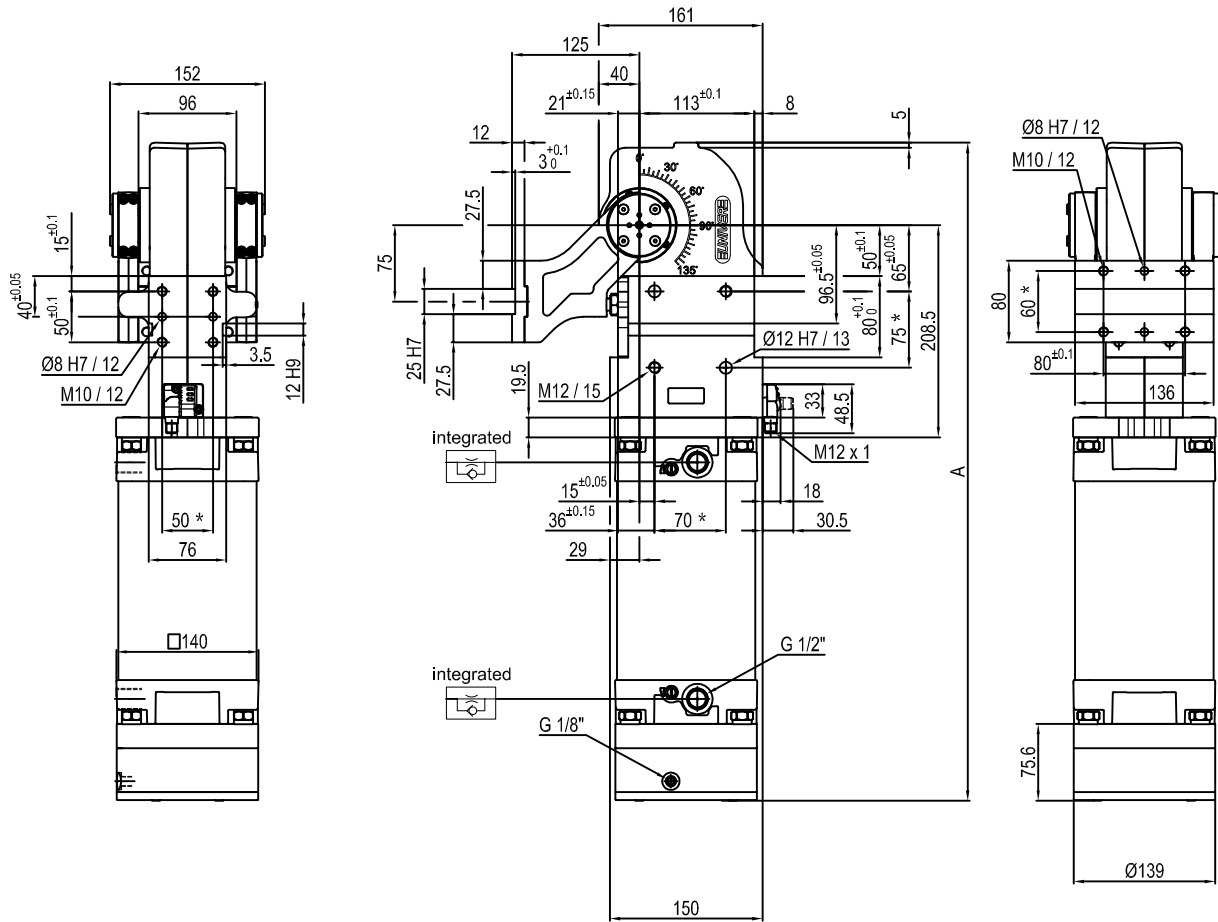
Electronic sensor with M12 swivel connector that can be orientated at 0° or 90°

Supply voltage: 10÷30 V DC

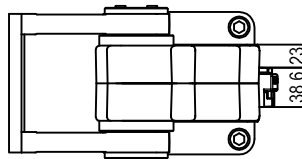
IP code: IP 65

* : TOLERANCE BETWEEN DOWEL HOLES ± 0.02, TO SCREW HOLES ± 0.1

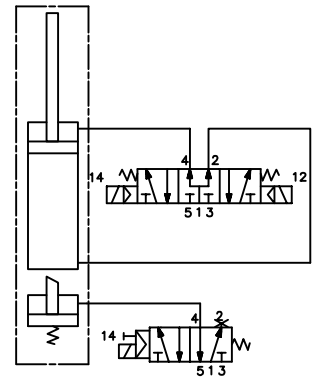
Subject to technical modifications without notice.



Pivot rotation in degrees	A
45°	584
60°	595.5
90°	620.5
120°	646



Passive brake

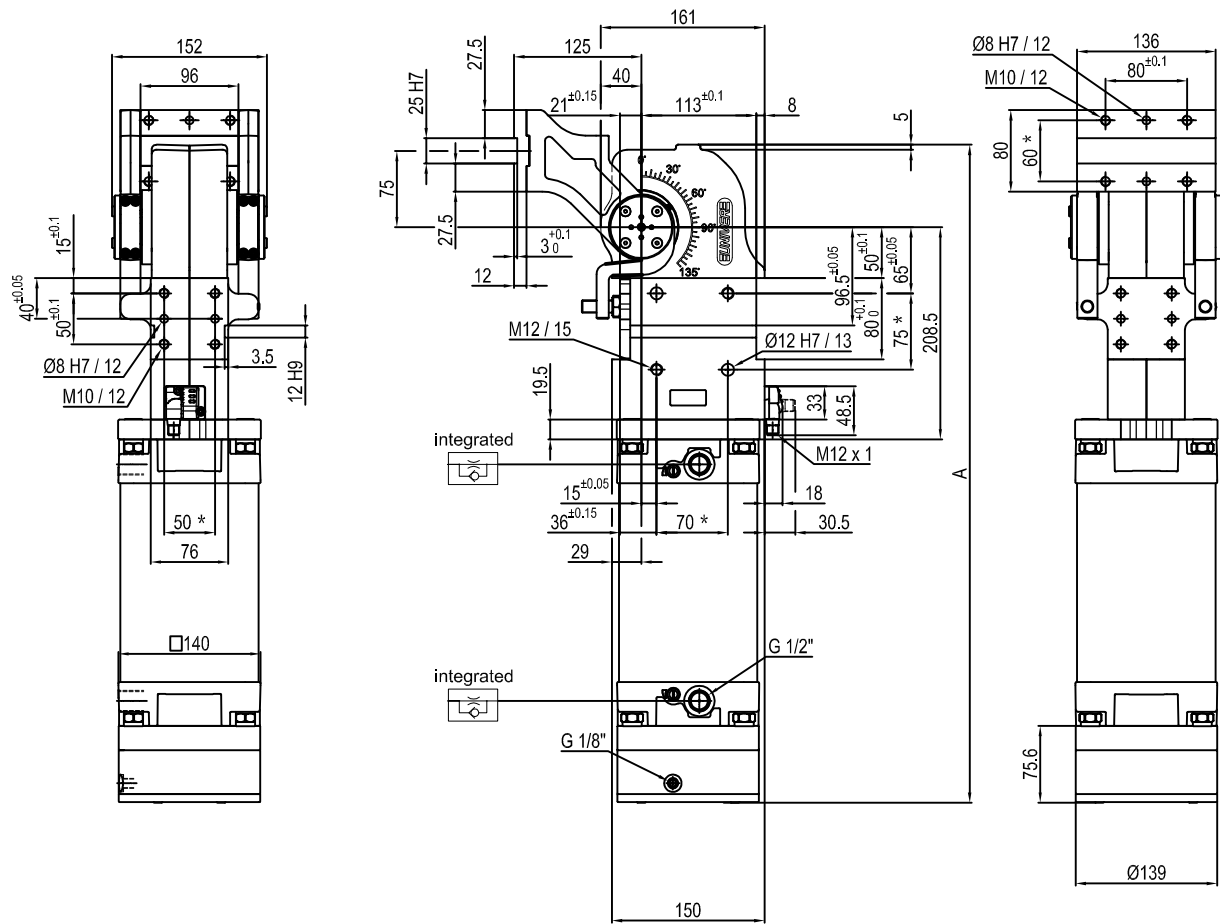


Size	Holding moment	Max. torque at the rotary table 0,55 MPa	Weight
170	4000 Nm	170 Nm	22.3 Kg

Min./Max. operating pressure: **0,4 / 0,6 MPa**
 Operating temperature: **5° + 45° C**
 Predeterminate pivot rotation in degrees: **45° - 60° - 90° - 120°**
 Electronic sensor with M12 swivel connector that can be orientated at 0° or 90°
 Supply voltage: 10÷30 V DC
 IP code: **IP 65**

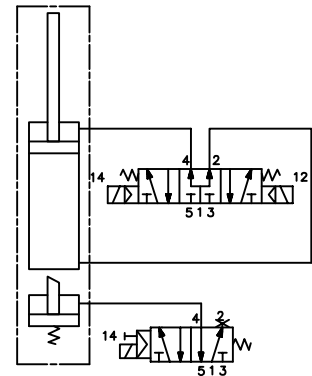
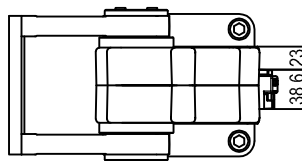
* : TOLERANCE BETWEEN DOWEL HOLES ± 0.02, TO SCREW HOLES ± 0.1

Pneumatic power pivot



Passive brake

Pivot rotation in degrees	A
45°	584
60°	595.5
90°	620.5
120°	646



Size	Holding moment	Max. torque at the rotary table 0,55 MPa	Weight
170	4000 Nm	170 Nm	22.3 Kg

Min./Max. operating pressure: **0,4 / 0,6 MPa**

Operating temperature: **5° + 45° C**

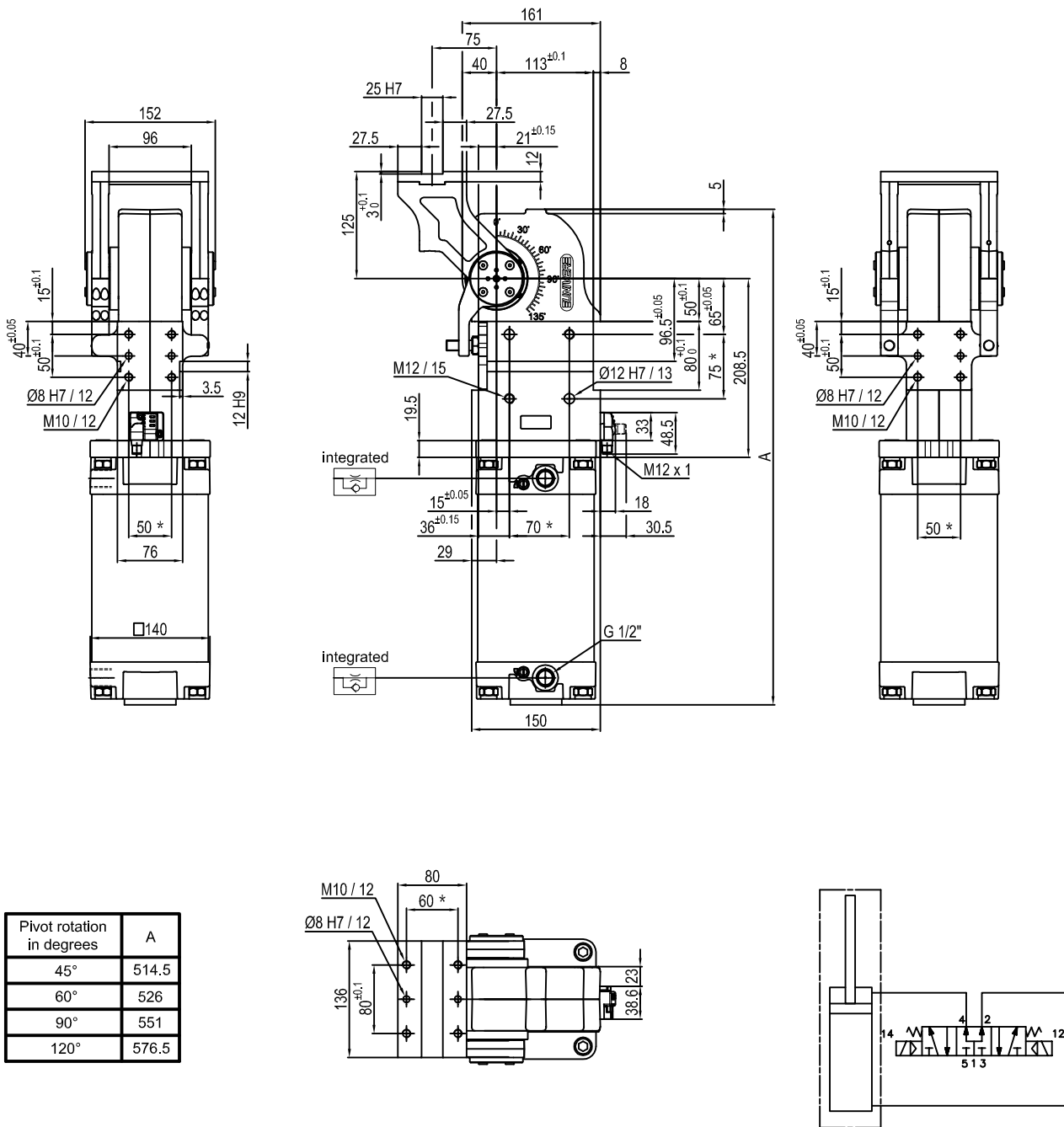
Predetermine pivot rotation in degrees: **45° - 60° - 90° - 120°**

Electronic sensor with M12 swivel connector that can be orientated at 0° or 90°

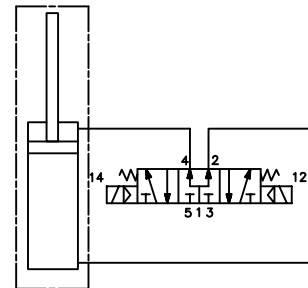
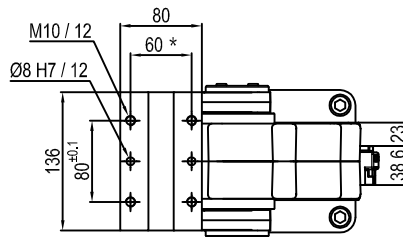
Supply voltage: 10÷30 V DC

IP code: **IP 65**

* : TOLERANCE BETWEEN DOWEL HOLES ± 0.02, TO SCREW HOLES ± 0.1



Pivot rotation in degrees	A
45°	514.5
60°	526
90°	551
120°	576.5



Size	Holding moment	Max. torque at the rotary table 0,55 MPa	Weight
170	4000 Nm	170 Nm	21.3 Kg

Min./Max. operating pressure: **0,4 / 0,6 MPa**

Operating temperature: **5° + 45° C**

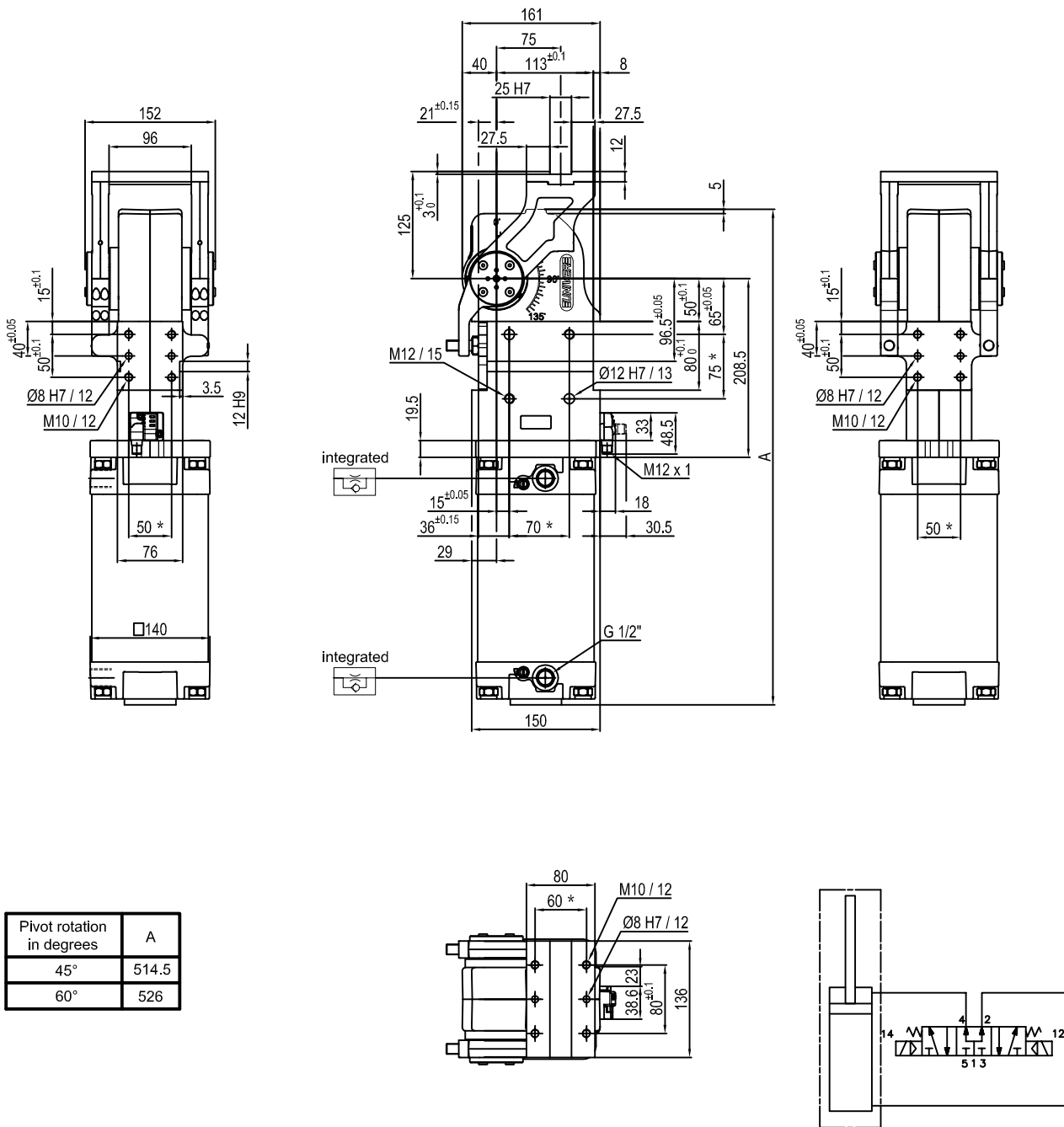
Predeterminate pivot rotation in degrees: **45° - 60° - 90° - 120°**

Electronic sensor with M12 swivel connector that can be orientated at 0° or 90°

Supply voltage: 10÷30 V DC

IP code: **IP 65**

* : TOLERANCE BETWEEN DOWEL HOLES ± 0.02, TO SCREW HOLES ± 0.1



Pivot rotation in degrees	A
45°	514.5
60°	526

Size	Holding moment	Max. torque at the rotary table 0,55 MPa	Weight
170	4000 Nm	170 Nm	21.3 Kg

Min./Max. operating pressure: **0,4 / 0,6 MPa**

Operating temperature: **5° + 45° C**

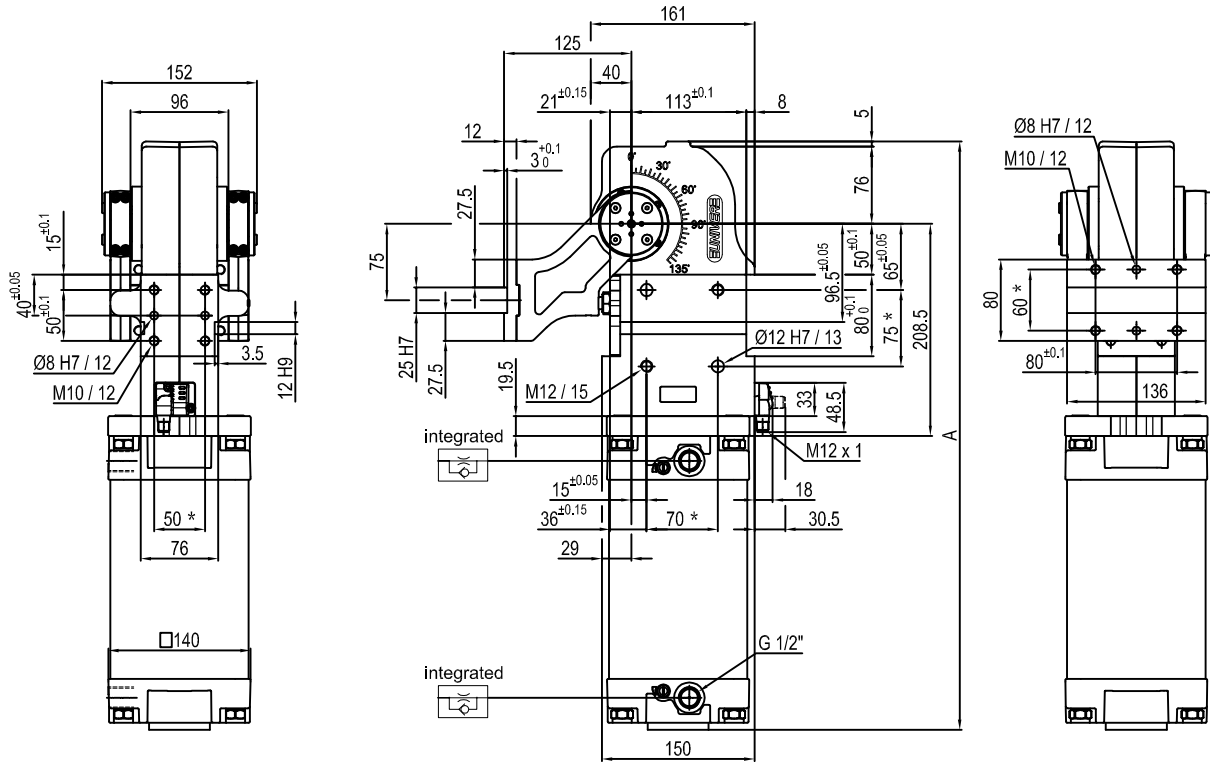
Predetermine pivot rotation in degrees: **45° - 60°**

Electronic sensor with M12 swivel connector that can be orientated at 0° or 90°

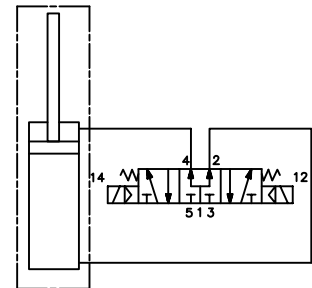
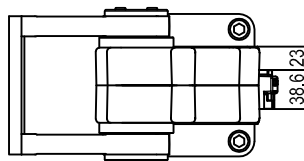
Supply voltage: 10÷30 V DC

IP code: **IP 65**

* : TOLERANCE BETWEEN DOWEL HOLES ± 0.02, TO SCREW HOLES ± 0.1



Pivot rotation in degrees	A
45°	514.5
60°	526
90°	551
120°	576.5



Size	Holding moment	Max. torque at the rotary table 0,55 MPa	Weight
170	4000 Nm	170 Nm	21.3 Kg

Min./Max. operating pressure: **0,4 / 0,6 MPa**

Operating temperature: **5° + 45° C**

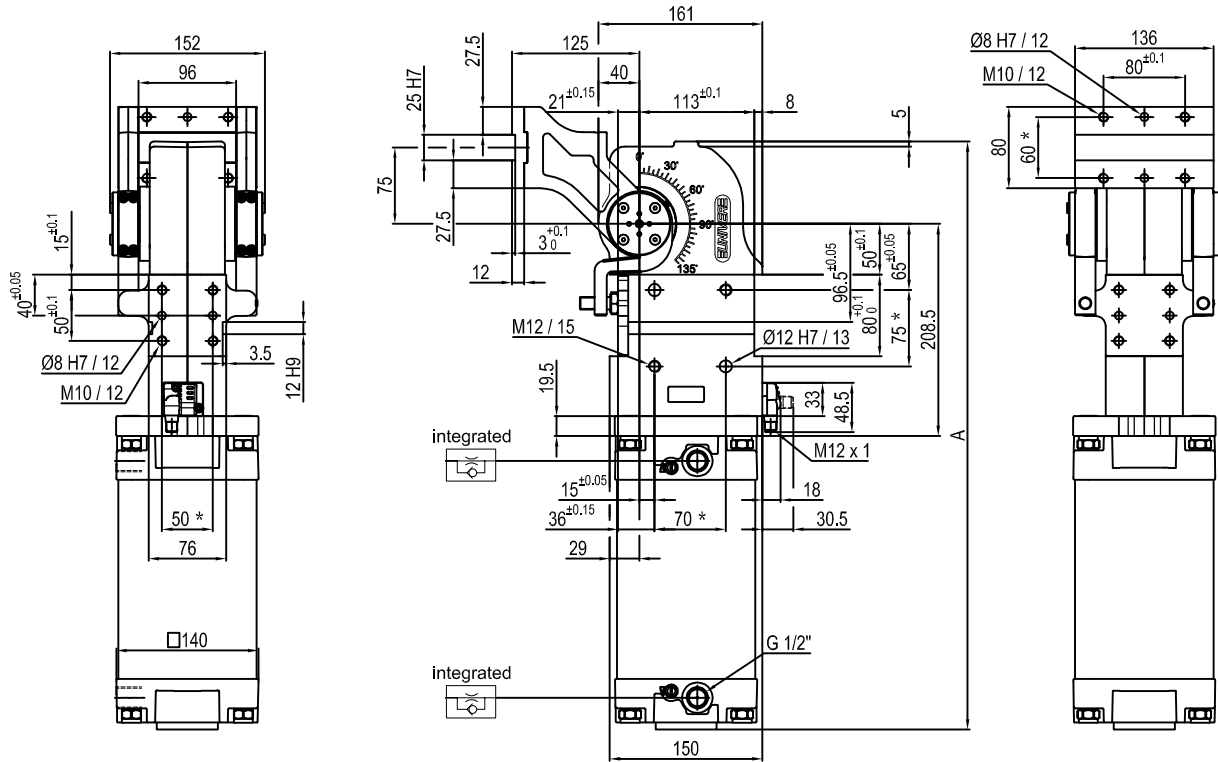
Predeterminate pivot rotation in degrees: **45° - 60° - 90° - 120°**

Electronic sensor with M12 swivel connector that can be orientated at 0° or 90°

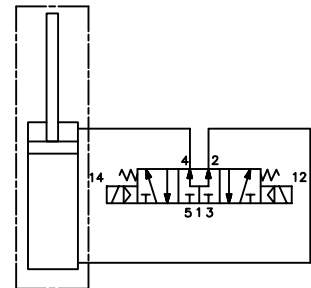
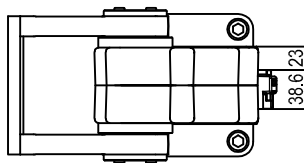
Supply voltage: 10÷30 V DC

IP code: **IP 65**

* : TOLERANCE BETWEEN DOWEL HOLES ± 0.02, TO SCREW HOLES ± 0.1



Pivot rotation in degrees	A
45°	514.5
60°	526
90°	551
120°	576.5



Size	Holding moment	Max. torque at the rotary table 0,55 MPa	Weight
170	4000 Nm	170 Nm	21.3 Kg

Min./Max. operating pressure: **0,4 / 0,6 MPa**

Operating temperature: **5° + 45° C**

Predeterminate pivot rotation in degrees: **45° - 60° - 90° - 120°**

Electronic sensor with M12 swivel connector that can be orientated at 0° or 90°

Supply voltage: 10÷30 V DC

IP code: **IP 65**

* : TOLERANCE BETWEEN DOWEL HOLES ± 0.02, TO SCREW HOLES ± 0.1