

# LCY40

Irreversible pneumatic retractable locating pin unit with hand lever, single rod



L	C	Y	4	0	0	4	0	E	A	E	R
1	2	3	4		5	6	7	8			

<b>1 Series</b>	<b>2 Version</b>	<b>3 Size</b>
-----------------	------------------	---------------

LC = Retractable locating pin unit

Y = Pneumatic-irreversible with hand lever, single rod

40 = Ø 40 mm

<b>4 Strokes</b>	<b>5 Sensor</b>	<b>6 Rod end style</b>
------------------	-----------------	------------------------

040 = 40 mm

N = No sensor (with protection plate)  
E = Electronic sensor with M12 swivel connector

A = Rod for off-set pins  
B = Rod with profiled end  
C = Rod with cross-profiled end inner Ø 16 mm  
D = Rod for off-set pins with oversized dowel holes

<b>7 Rod orientation</b>	<b>8 Rod scraper</b>
--------------------------	----------------------

E = East, standard



O = West



N = North



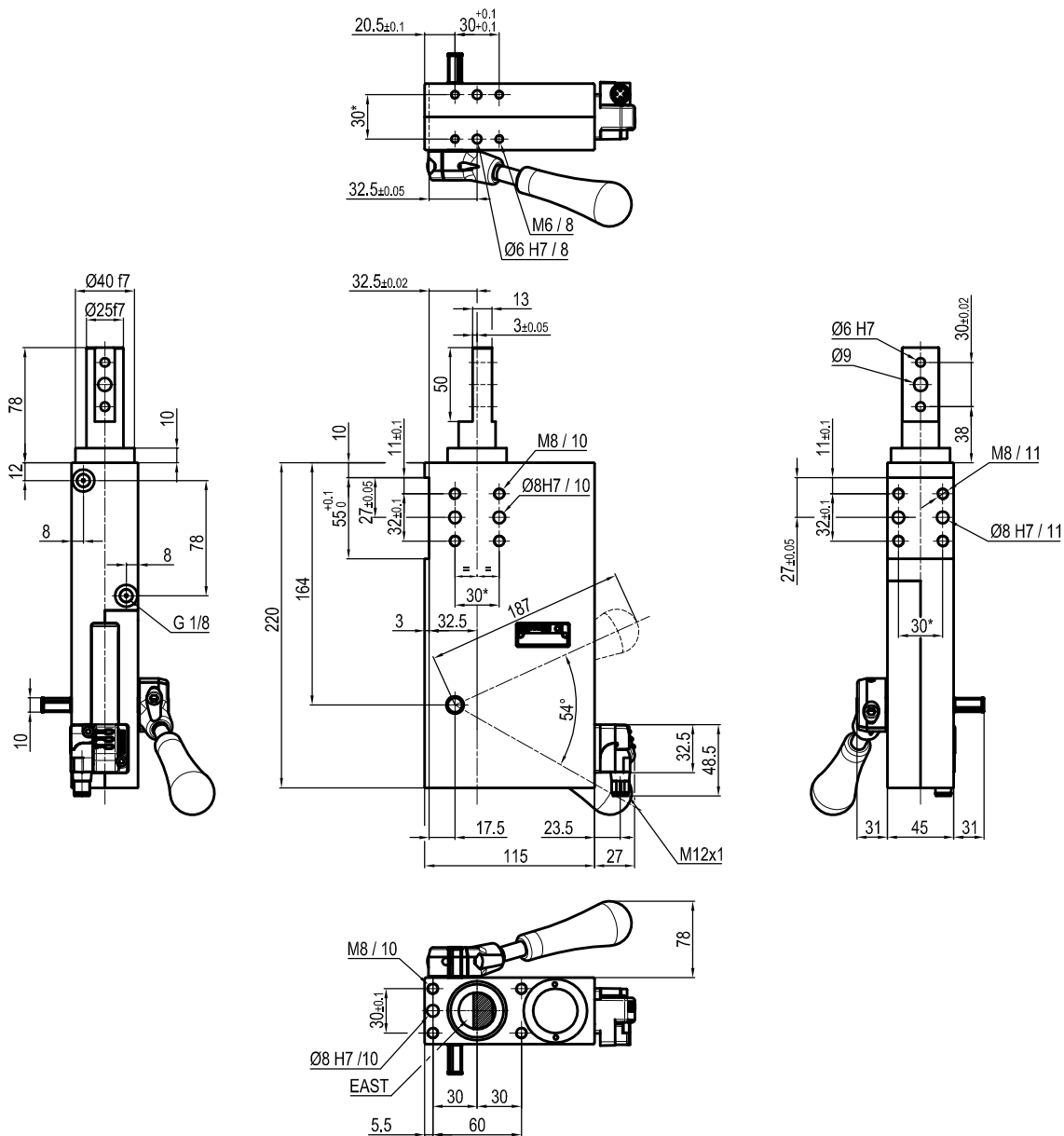
S = South



R = Metallic rod scraper

Only with A and D rod end styles

## Pneumatic retractable locating pin unit With manual operation



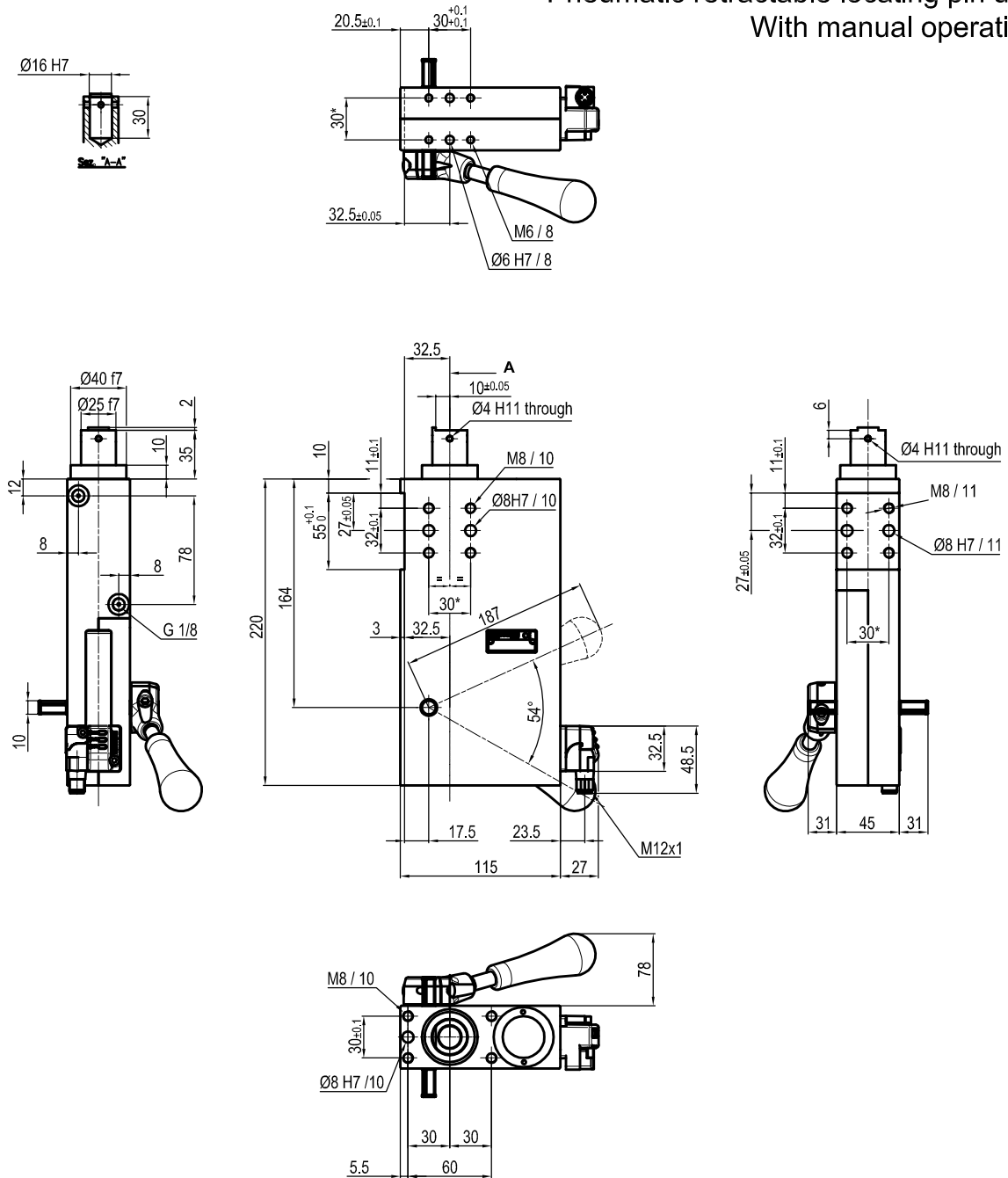
Bore Ø	Max. bending moment	Max. deflection moment	Weight
40 mm	6 Nm ±0.06°	7.5 Nm ±0.03	5.7 Kg

Min./max. operating pressure: **0,4 / 0,6 MPa**  
 Operating temperature: **5° + 45° C**  
 Strokes in mm.: **40**  
 Electronic sensor with M12 swivel connector that can be orientated at 0° or 90°  
 Supply voltage: 10+30 Vdc  
 IP code: **IP 65**

\* : TOLERANCE BETWEEN DOWEL HOLES ± 0.02, TO SCREW HOLES ± 0.1

Subject to technical modification without notice.

Pneumatic retractable locating pin unit  
With manual operation



Bore Ø	Max. bending moment	Max. deflection moment	Weight
40 mm	6 Nm ±0.06°	7.5 Nm ±0.03	5.7 Kg

Min./max. operating pressure: **0,4 / 0,6 MPa**

Operating temperature: **5° ± 45° C**

Strokes in mm.: **40**

Electronic sensor with M12 swivel connector that can be orientated at 0° or 90°

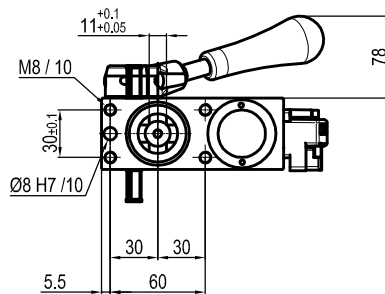
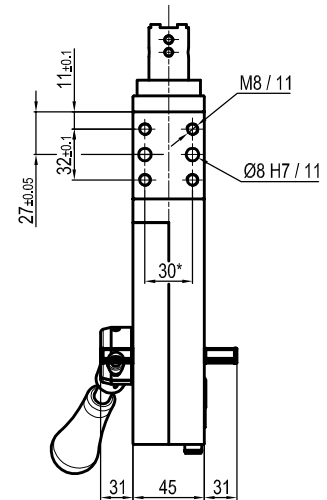
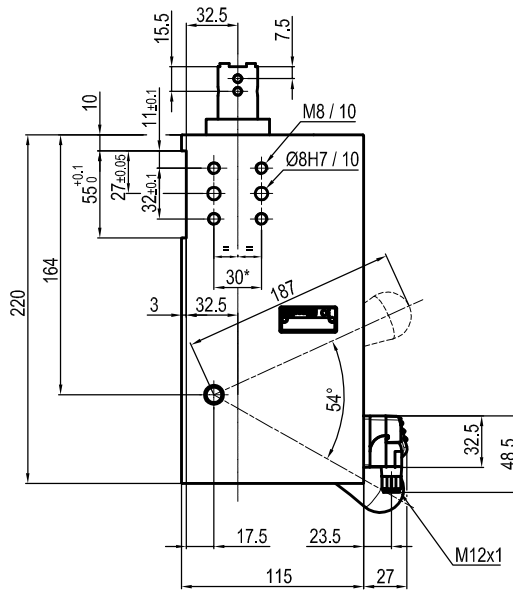
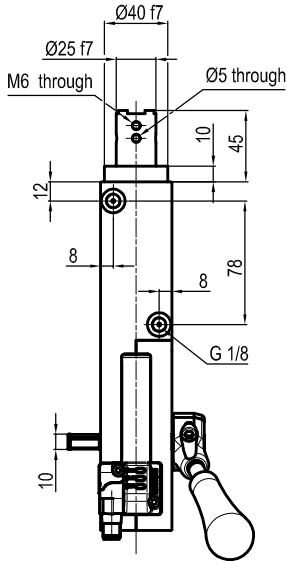
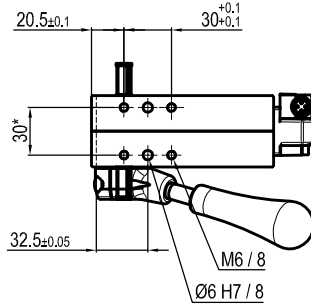
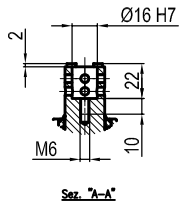
Supply voltage: 10÷30 Vdc

IP code: **IP 65**

\* : TOLERANCE BETWEEN DOWEL HOLES ± 0.02, TO SCREW HOLES ± 0.1

Subject to technical modification without notice.

Pneumatic retractable locating pin unit  
With manual operation



Bore Ø	Max. bending moment	Max. deflection moment	Weight
40 mm	6 Nm ±0.06°	7.5 Nm ±0.03	5.7 Kg

Min./max. operating pressure: **0,4 / 0,6 MPa**

Operating temperature: **5° + 45° C**

Strokes in mm.: **40**

Electronic sensor with M12 swivel connector that can be orientated at 0° or 90°

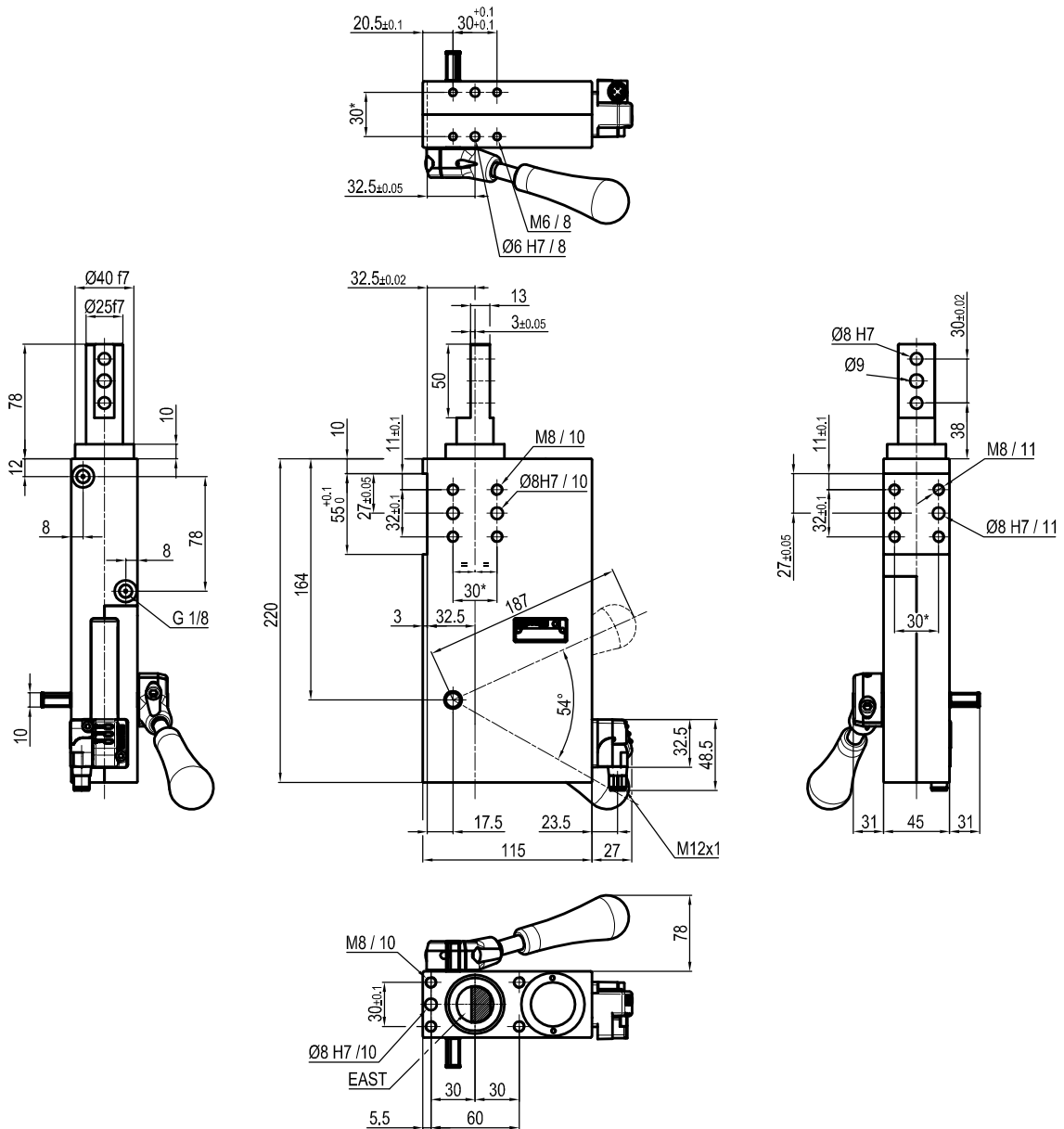
Supply voltage: 10+30 Vdc

IP code: **IP 65**

\* : TOLERANCE BETWEEN DOWEL HOLES ± 0.02, TO SCREW HOLES ± 0.1

Subject to technical modification without notice.

## UNIVERSAL Pneumatic retractable locating pin unit



Bore Ø	Max. bending moment	Max. deflection moment	Weight
40 mm	6 Nm ±0.06°	7.5 Nm ±0.03	5.7 Kg

Min./max. operating pressure: **0,4 / 0,6 MPa**  
 Operating temperature: **5° + 45° C**  
 Strokes in mm.: **40**  
 Electronic sensor with M12 swivel connector that can be orientated at 0° or 90°  
 Supply voltage: 10+30 Vdc  
 IP code: **IP 65**

\* : TOLERANCE BETWEEN DOWEL HOLES ± 0.02, TO SCREW HOLES ± 0.1

Subject to technical modification without notice.