

LCQ63

Pneumatic retractable locating pin unit with hand lever, single rod



| | | | | | | | | | | | |
|---|---|---|---|---|---|---|---|---|---|---|---|
| L | C | Q | 6 | 3 | 0 | 5 | 0 | U | 1 | 2 | R |
| 1 | 2 | 3 | 4 | | 5 | 6 | | 7 | | | |

| | | |
|-----------------|------------------|---------------|
| 1 Series | 2 Version | 3 Size |
|-----------------|------------------|---------------|

LC = Retractable locating pin unit

Q = Pneumatic with hand lever, single rod

63 = Ø 63 mm

| | | |
|------------------|-----------------|------------------------|
| 4 Strokes | 5 Sensor | 6 Rod's inner Ø |
|------------------|-----------------|------------------------|

025 = 25 mm
050 = 50 mm

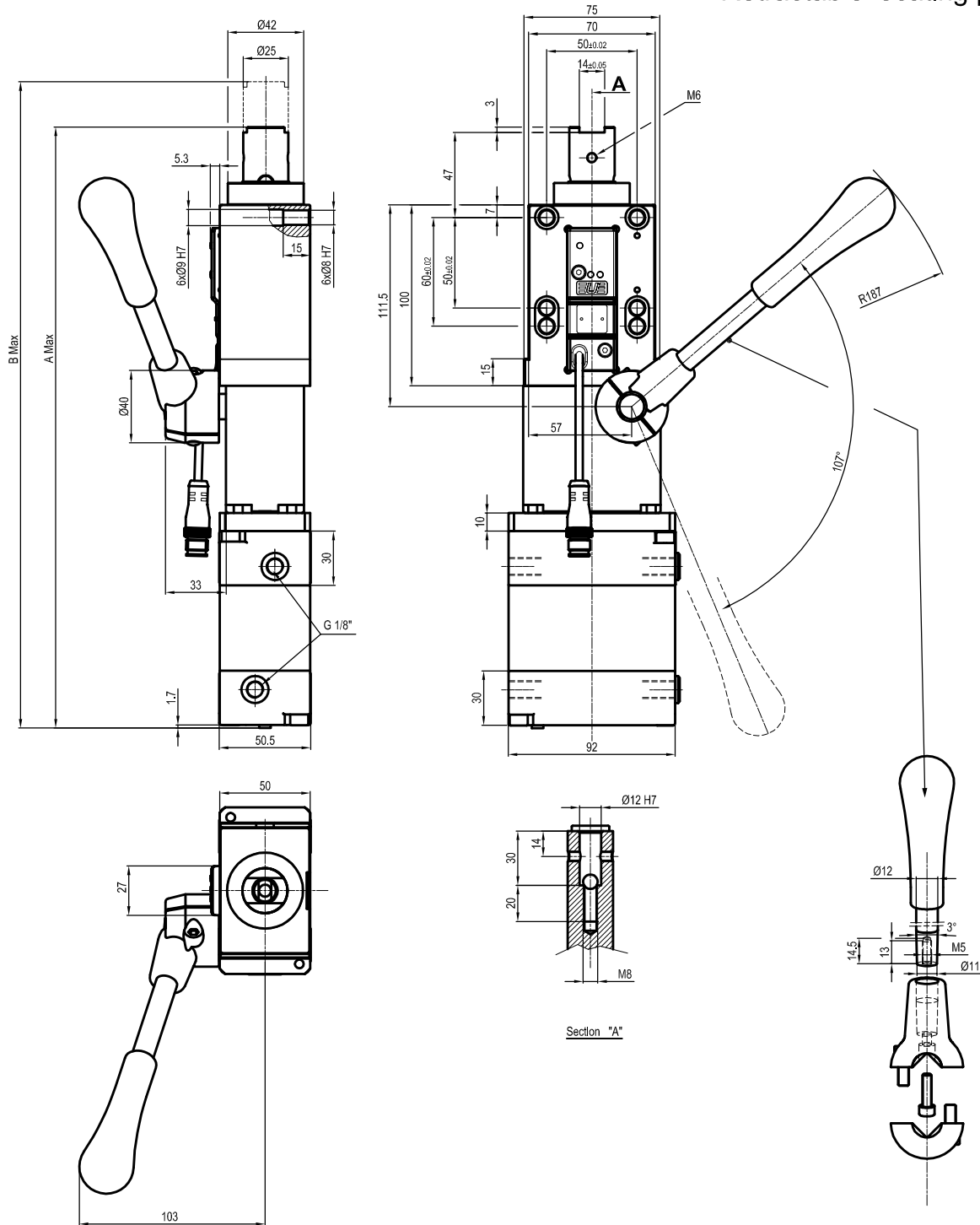
U = Electronic sensor

12 = Ø 12 mm
20 = Ø 20 mm

| |
|----------------------|
| 7 Rod scraper |
|----------------------|

R = Metallic rod scraper

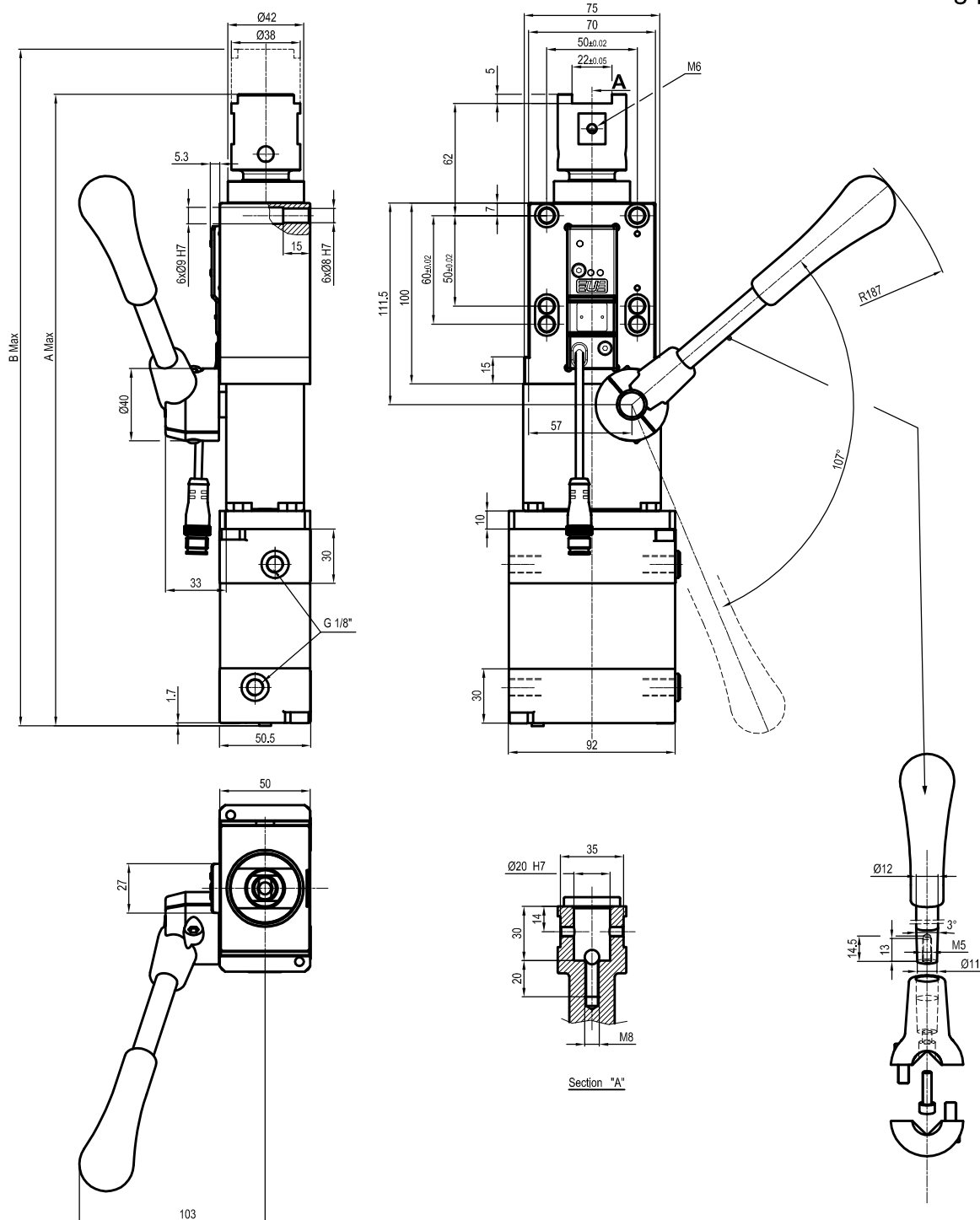
Retractable locating pin unit



| ROD'S INNER Ø12 | | | | |
|-----------------|--------|--------|--------|--------|
| CYLINDER Ø | STROKE | WEIGHT | A | B |
| CYLINDER Ø50 | 25 mm | 3,5 Kg | 335 mm | 360 mm |
| CYLINDER Ø50 | 50 mm | 3,6 Kg | 360 mm | 410 mm |

Min./max. operating pressure: **0,4 / 0,6 MPa**
 Operating temperature: **5° + 45° C**
 Electronic sensor with M12
 Supply voltage: 10+30 Vdc
 IP code: **IP 65**
 Pneumatic ports on both sides

Retractable locating pin unit



| ROD'S INNER Ø20 | | | | |
|-----------------|--------|--------|--------|--------|
| CYLINDER Ø | STROKE | WEIGHT | A | B |
| CYLINDER Ø50 | 25 mm | 3,5 Kg | 350 mm | 375 mm |
| CYLINDER Ø50 | 50 mm | 3,6 Kg | 375 mm | 425 mm |

Min./max. operating pressure: **0,4 / 0,6 MPa**
 Operating temperature: **5° ± 45° C**
 Electronic sensor with M12
 Supply voltage: 10+30 Vdc
 IP code: **IP 65**
 Pneumatic ports on both sides