

UNM63

Unità di bloccaggio **UNIVERSAL** con azionamento manuale standard **NAAMS**



U	N	M	6	3	N	N	E	G
1	2	3	4	5	6	7		



1 Serie	2 Versione	3 Taglia
----------------	-------------------	-----------------

UN = Unità di bloccaggio **UNIVERSAL** standard **NAAMS** con regolazione continua angolo d'apertura da: **0° a 135° max**

M = Pneumatica con azionamento manuale

63 = Ø 63 mm

4 Posizione pressore	5 Uscita albero quadro	6 Sensore di posizione
-----------------------------	-------------------------------	-------------------------------

N = Senza pressore

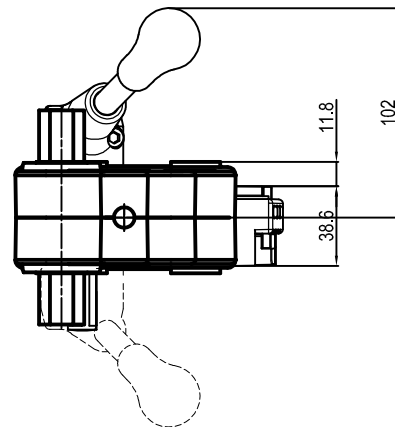
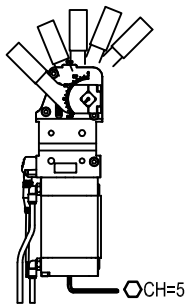
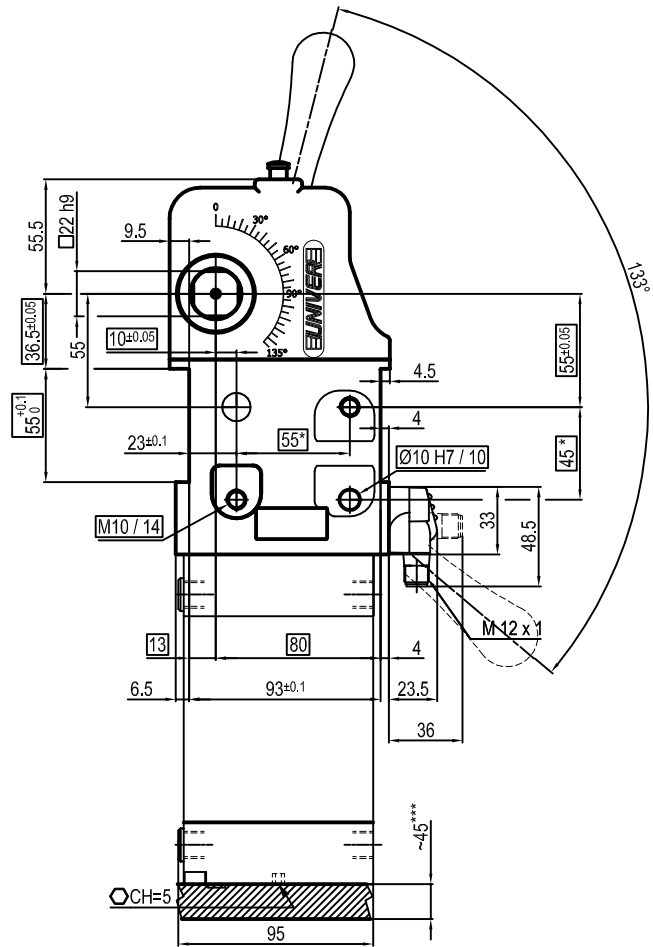
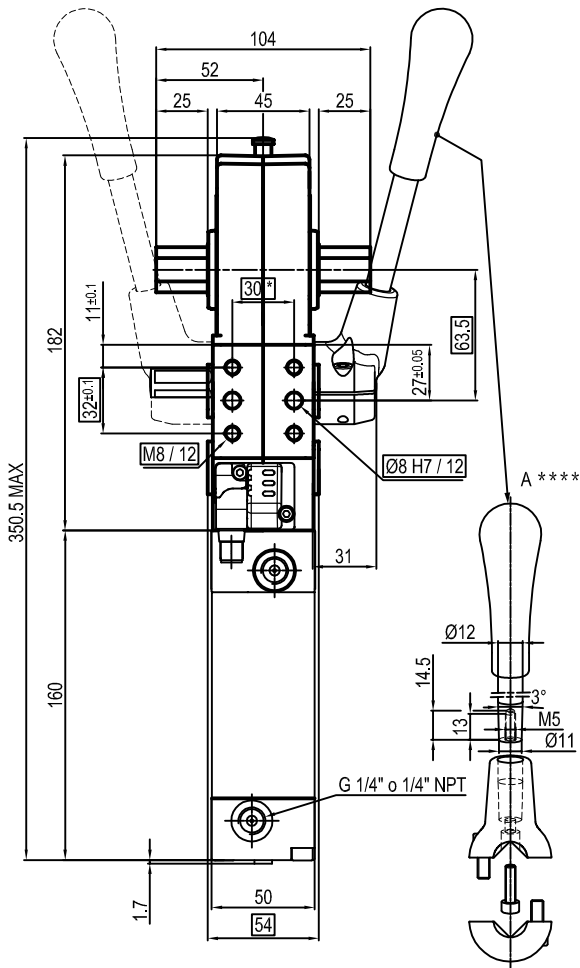
R = Singolo lato destro
L = Singolo lato sinistro
N = Entrambi i lati

N = Senza sensore (con piastra di chiusura)
E = Sensore elettronico con connettore M12 orientabile

7 Filetto alimentazioni

G = Gas
N = NPT

UNIVERSAL Pneumatic clamp with manual lever



Bore Ø	Holding moment	Clamping moment	Weight (Clamping arm not included)
63 mm	1750 Nm	420 Nm	4.2 Kg

Min./Max. operating pressure: **0,4 / 0,6 MPa**

Operating temperature: **5° + 45° C**

Opening angle: **adjustable**

Without arm

With manual lever

Electronic sensor with M12 swivel connector that can be orientated at 0° or 90°

Supply voltage: 10+30 Vdc

IP code: **IP 65**

Pneumatic ports on both sides

* : TOLERANCE BETWEEN DOWELS ± 0.02, TO SCREW HOLES ± 0.1

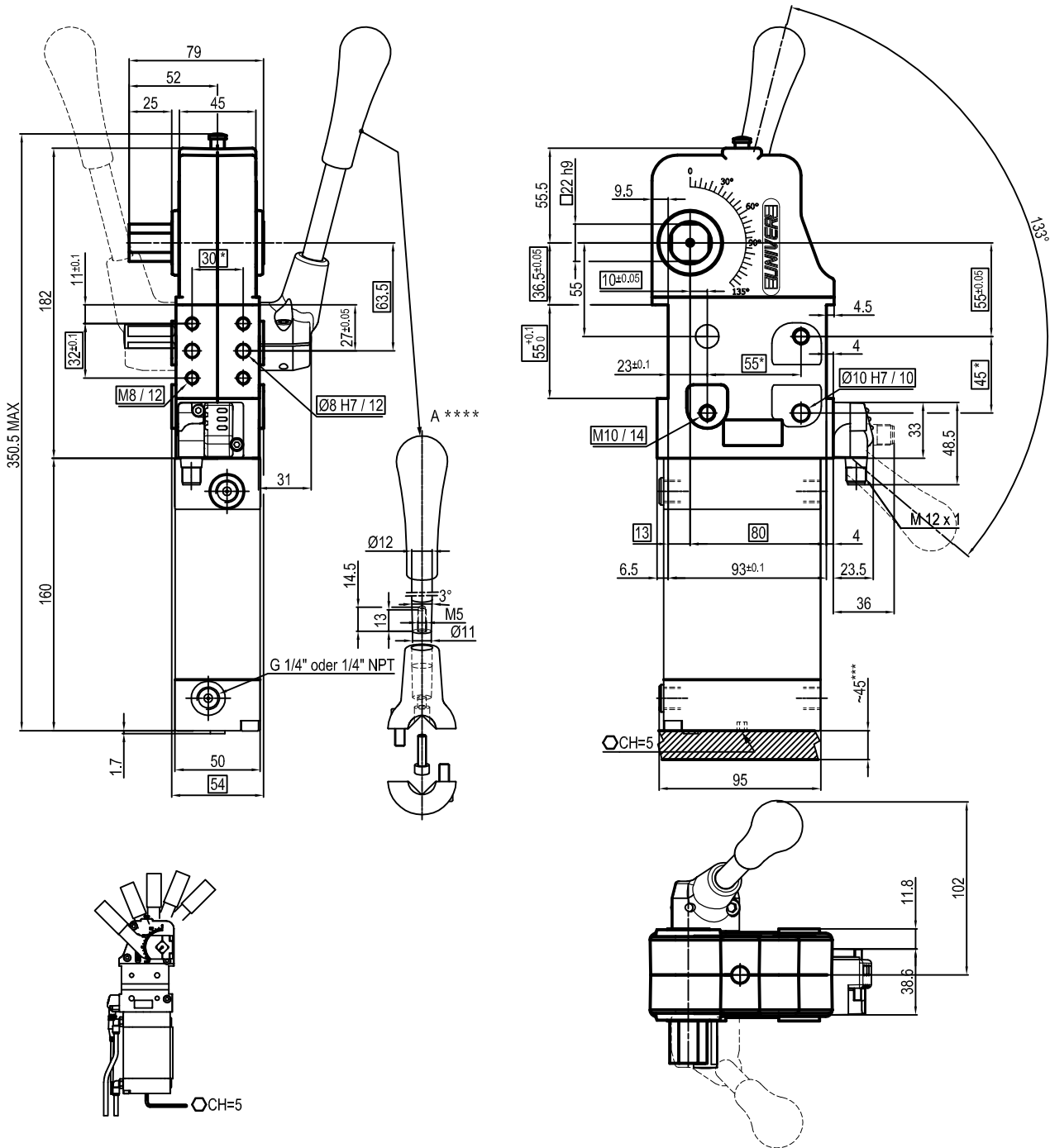
** : THE MEASURES REFER TO **NAAMS** STANDARD

*** : AREA TO ACCES ANGLE ADJUSTMENT

**** : DIMENSIONS TO BE RESPECTED IN CASE OTHER MANUAL LEVERS ARE USED

Subject to technical modifications without notice

UNIVERSAL Pneumatic clamp with manual lever



Bore Ø	Holding moment	Clamping moment	Weight (Clamping arm not included)
63 mm	1750 Nm	420 Nm	4.2 Kg

Min./Max. operating pressure: **0,4 / 0,6 MPa**

Operating temperature: **5° + 45° C**

Opening angle: **adjustable**

Without arm

With manual lever

Electronic sensor with M12 swivel connector that can be orientated at 0° or 90°

Supply voltage: 10-30 Vdc

IP code: **IP 65**

Pneumatic ports on both sides

* : TOLERANCE BETWEEN DOWELS ± 0.02, TO SCREW HOLES ± 0.1

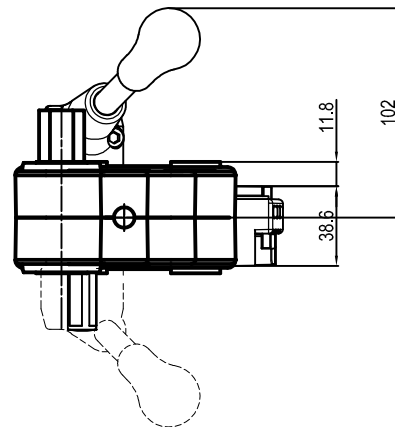
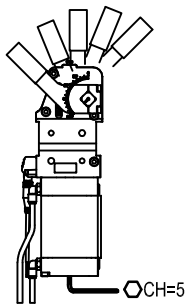
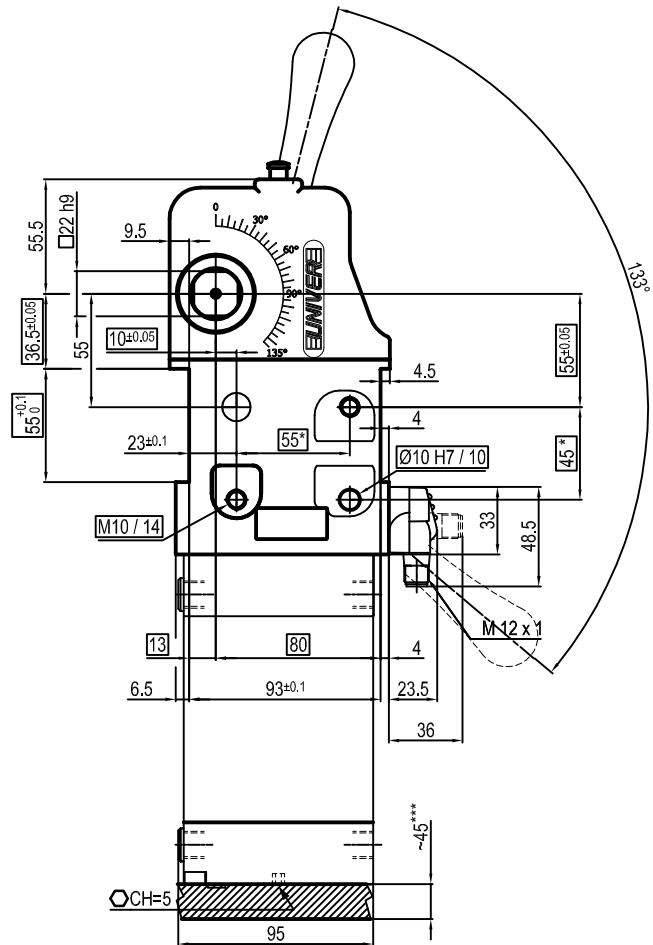
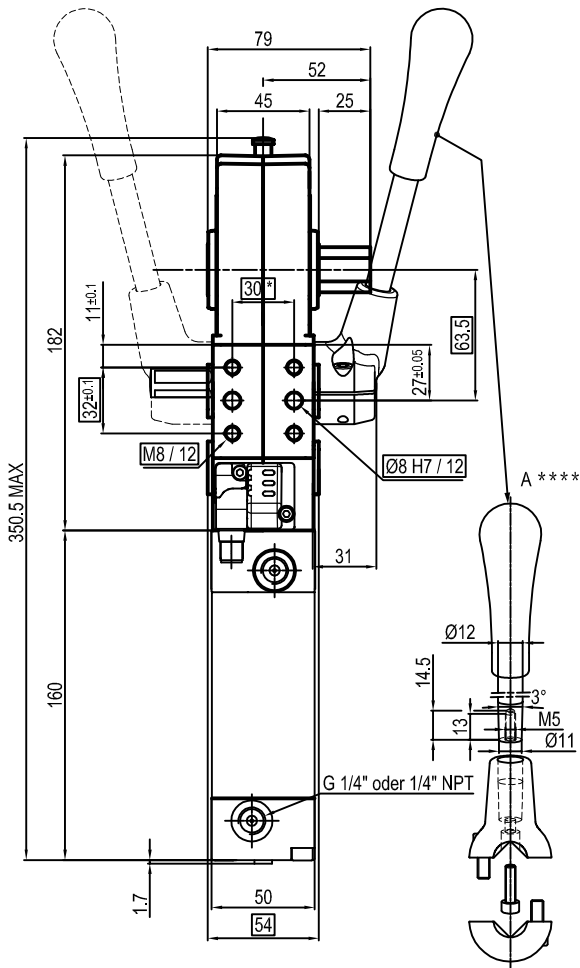
** : THE MEASURES REFER TO **NAAMS** STANDARD

*** : AREA TO ACCES ANGLE ADJUSTMENT

**** : DIMENSIONS TO BE RESPECTED IN CASE OTHER MANUAL LEVERS ARE USED

Subject to technical modifications without notice

UNIVERSAL Pneumatic clamp with manual lever



Bore Ø	Holding moment	Clamping moment	Weight (Clamping arm not included)
63 mm	1750 Nm	420 Nm	4.2 Kg

Min./Max. operating pressure: **0,4 / 0,6 MPa**

Operating temperature: **5° + 45° C**

Opening angle: **adjustable**

Without arm

With manual lever

Electronic sensor with M12 swivel connector that can be orientated at 0° or 90°

Supply voltage: 10+30 Vdc

IP code: **IP 65**

Pneumatic ports on both sides

* : TOLERANCE BETWEEN DOWELS ± 0.02, TO SCREW HOLES ± 0.1

** : THE MEASURES REFER TO **NAAMS** STANDARD

*** : AREA TO ACCES ANGLE ADJUSTMENT

**** : DIMENSIONS TO BE RESPECTED IN CASE OTHER MANUAL LEVERS ARE USED

Subject to technical modifications without notice