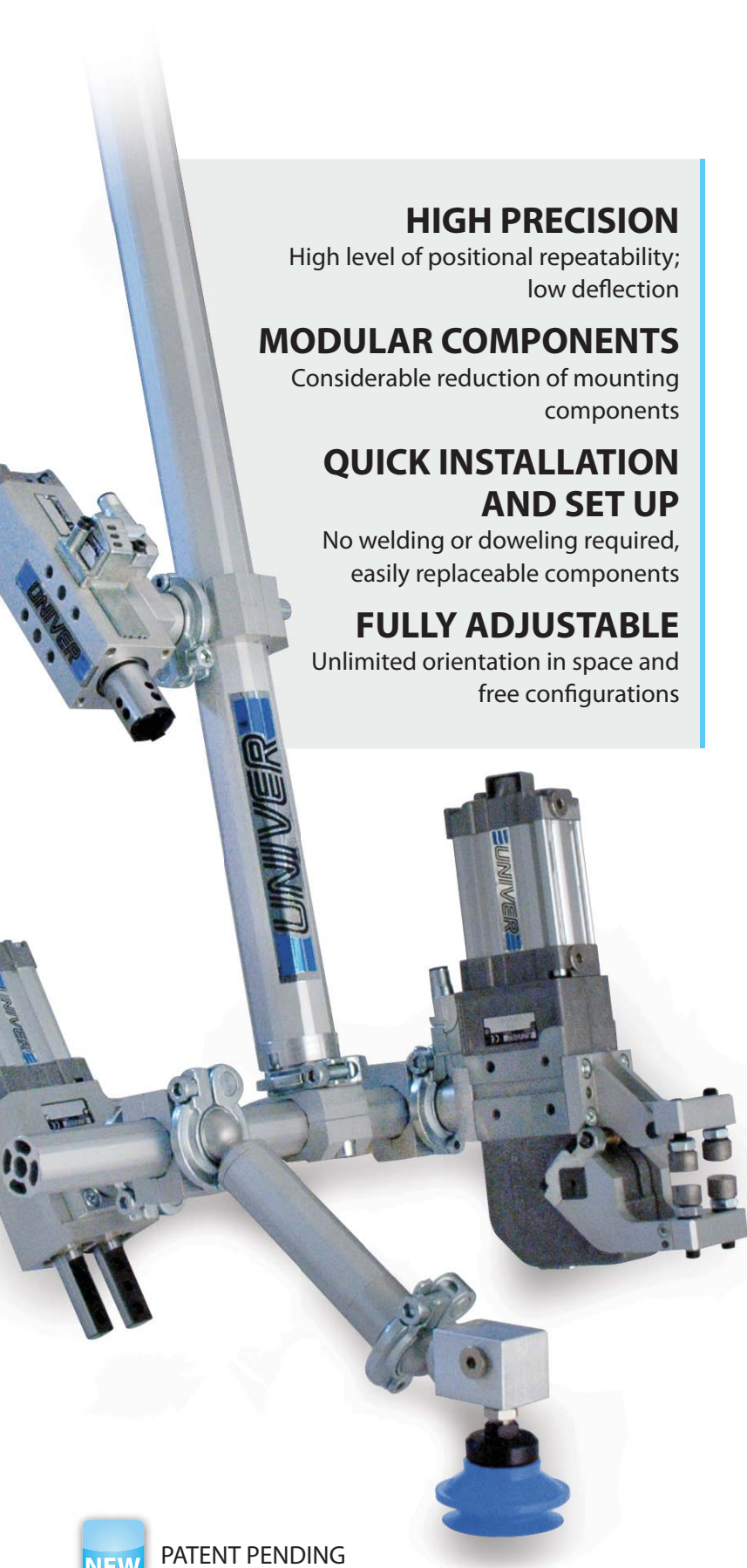


GR8

Modular Tooling System





HIGH PRECISION

High level of positional repeatability;
low deflection

MODULAR COMPONENTS

Considerable reduction of mounting
components

**QUICK INSTALLATION
AND SET UP**

No welding or doweling required,
easily replaceable components

FULLY ADJUSTABLE

Unlimited orientation in space and
free configurations

Ø 30 and 45 booms

Maximum stiffness and minimum weight
optimization

30

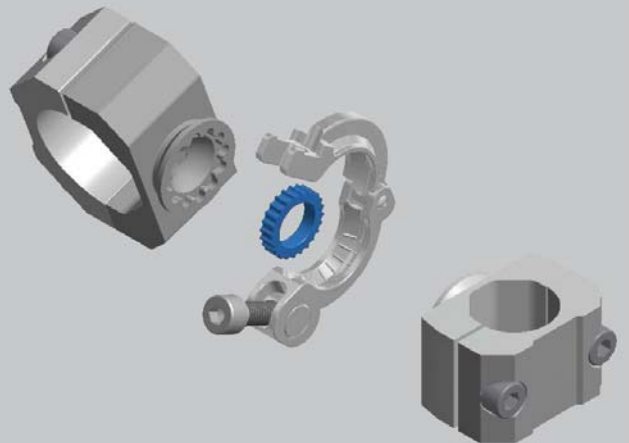


45



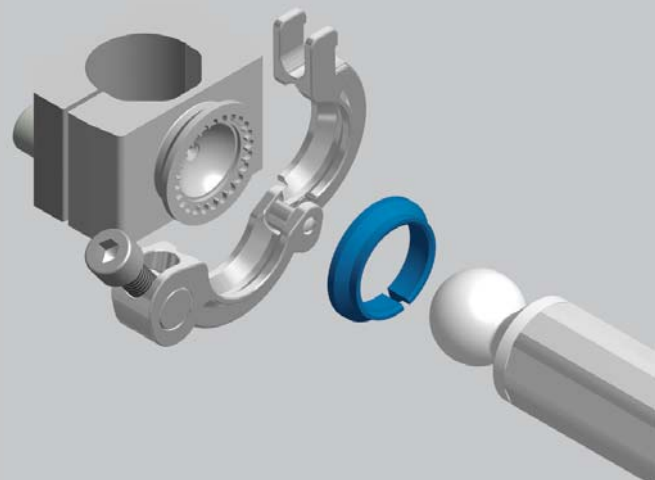
Locking ring

Precise and efficient system to guarantee a
high level of positional accuracy


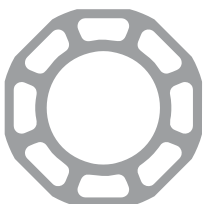




Ball mounting

Unlimited swivel rotation



PATENT PENDING

Booms		Inserts	Locking ring
<p>■ GR8B30S6000 Boom 30</p> 	<p>■ GR8B456000 Boom 45</p> 	<p>■ GR8IK Interlocking key insert</p> 	<p>■ GR8LH Locking ring</p> 

Mounting elements

<p>■ GR8CJ30 Cross Joint 30</p> 	<p>■ GR8CJ45 Cross Joint 45</p> 	<p>■ GR8CJD30 Double cross joint 30</p> 	<p>■ GR8CJD45 Double cross joint 45</p> 
<p>■ GR8RJ30 Round Joint 30</p> 	<p>■ GR8RJ45 Round Joint 45</p> 		
<p>■ GR8SCI30 Interlocking adapter 30</p> 	<p>■ GR8ECI45 Interlocking adapter 45</p> 	<p>■ GR8SM3030 Edge mounting element 30-30</p> 	<p>■ GR8EOA Orientable angle adapter</p> 
<p>■ GR8BB30 Base plate bracket 30</p> 	<p>■ GR8BB45 Base plate bracket 45</p> 	<p>■ GR8SCB30 Ball adapter</p> 	
<p>■ GR8BC30 Base connector 30</p> 	<p>■ GR8BC45 Base connector 45</p> 		

End connectors

■ **GR8ET30**
End connector 30



■ **GR8ET45**
End connector 45



Mounting adaptations

■ **GR8SR40**
Rear mount plate for 40 mm clamps



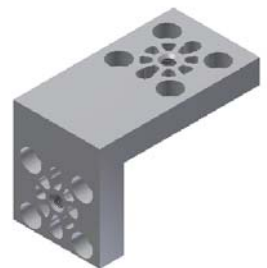
■ **GR8SR50**
Rear mount plate for retractable locating pin units LCP50



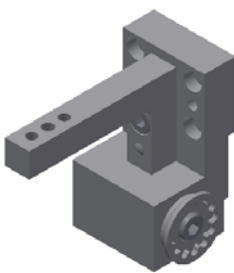
■ **GR8SR50M8**
Rear mount plate with M8 threads



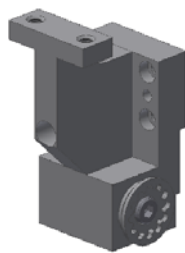
■ **GR8SS50**
Side mount plate for retractable locating pin units LCP50



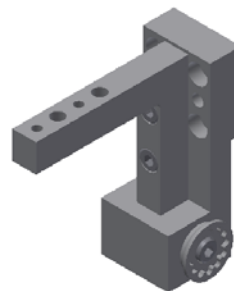
■ **GR8MF40**
Front mount plate for 40 mm clamps



■ **GR8MFGL**
Front mount plate for UGP40VL



■ **GR8MF50**
Front mount plate for 50 mm clamps



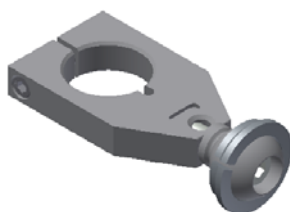
■ **GR8SV**
Vacuum cups mount



■ **GR8MP19**
Vacuum cups mount 19



■ **GR8MP30**
Proximity locator mount 30



■ **GR8MP18**
Proximity locator mount 18



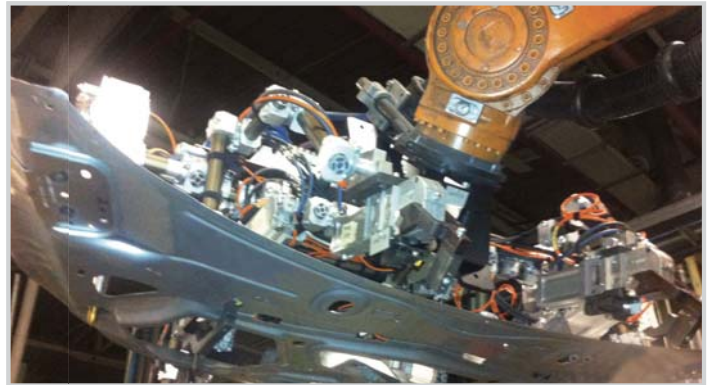
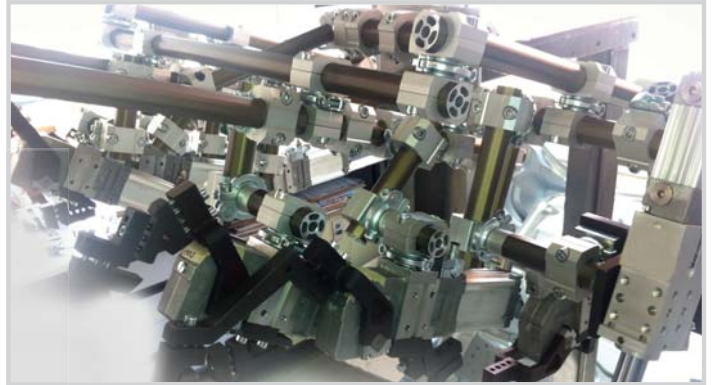
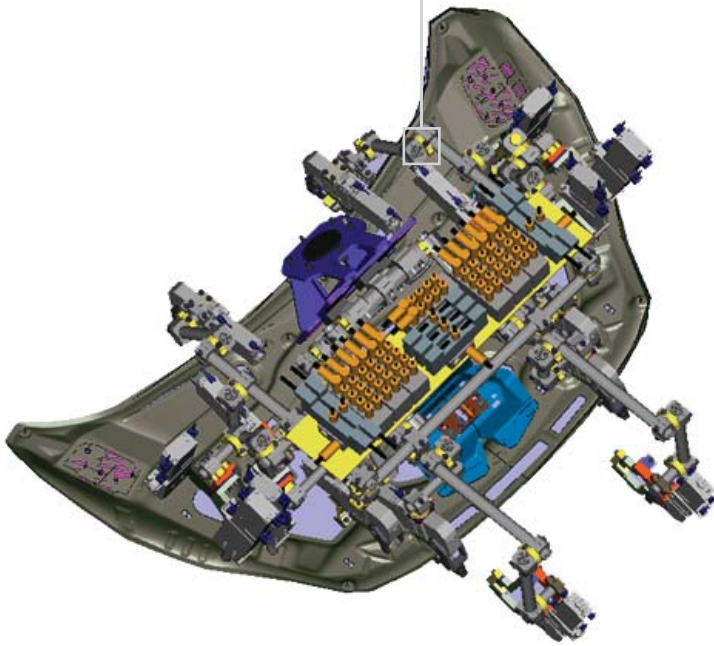
■ **GR8MP12**
Proximity locator mount 12



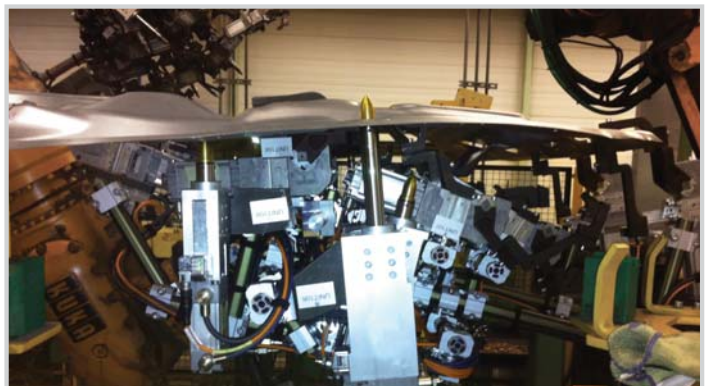
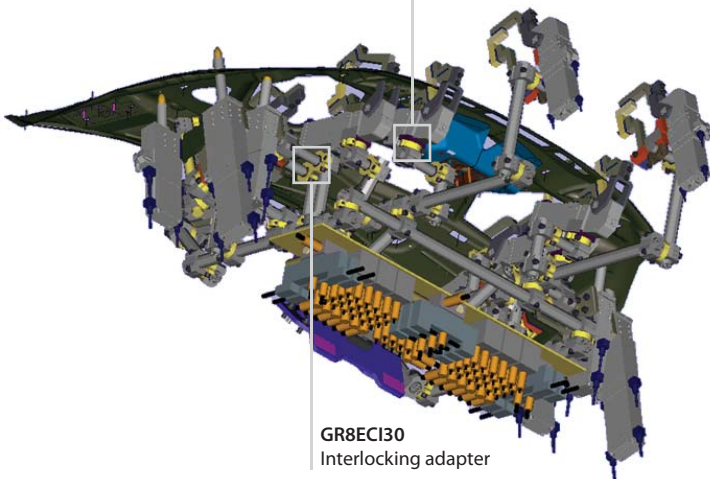
Some applications of the modular tooling system

GR8 UNIVER

GR8LH
Locking ring



GR8MR40
Rear mount plate for 40 mm clamps



GR8ECI30
Interlocking adapter





UNIVER S.p.A. Headquarters

I - 20128 **Milano**
Via Eraclito, 31
Tel. +39 02 25298.1
Fax +39 02 2575254
info@univer-group.com

Univer Service S.r.l.

I - 20128 **Milano**
Via Empedocle, 20
Tel. +39 02 25298.1
Fax +39 02 25298370
universervice@universervice.it
www.universervice.it

Branch Offices

LOMBARDIA

I - 20128 **Milano**
Via Empedocle, 20
Tel. +39 02 25298.1
Fax +39 02 25298370
universervice@universervice.it

I - 24060 Castelli Calepio **Bergamo**
Via C. Curotti, 31/33
Tel. +39 030 7435420
Fax +39 030 733328
castellicalepio@universervice.it

PIEMONTE / LIGURIA / VALLE D'AOSTA

I - 10071 Borgaro Torinese **Torino**
Via Veneto, 18
Tel. +39 011 4501871
Fax +39 011 4502898
torino@universervice.it

VENETO / FRIULI VENEZIA-GIULIA TRENTINO-ALTO ADIGE

I - 30030 Vigonovo **Venezia**
Via Prima strada 16/A - Loc. Galta
Tel. +39 049 9834140
Fax +39 049 9833972
vigonovo@universervice.it

EMILIA ROMAGNA

I - 40069 Zola Predosa **Bologna**
Via Guido Rossa, 21
Tel. +39 051 753907
Fax +39 051 6184751
bologna@universervice.it

CENTRO / SUD

I - 40069 Zola Predosa **Bologna**
Via Guido Rossa, 21
Tel. +39 051 753907
Fax +39 051 6184751
bologna@universervice.it

Univer in the world

UNIVER Pty Ltd

AUSTRALIA - 3175 **Victoria**
Nicole Way Dandenong, 11
Tel. +61 3 97930377
Fax +61 3 97930399
sales@univer.net.au

UNIVER do Brasil S/A

BRASIL - 83055-320
São José dos Pinhais - Paraná
Av. Rui Barbosa, 3005
Tel. +55 41 33824606
Fax +55 41 33824807
univerbrasil@univer.com.br

UNIVER OY

FINLAND - 15200 **Lahti**
Hirsimetsäntie, 9
Tel. +358 207 491400
Fax +358 207 491401
sales@univer.fi

UNIVER FRANCE S.a.s.

FRANCE - 68000 **Colmar**
1, rue Denis Papin
Tel. +33 03 89210900
Fax +33 03 89216850
info@univer-france.fr

UNIVER G.m.b.H.

GERMANY - 53859 **Niederkassel**
Marktstraße 114
Tel. +49 2208 90900
Fax +49 2208 909040
info@univer-gmbh.de

UNIVER Manuf. Company Ltd.

UNITED KINGDOM - **Bradford**
Station Road - West Yorkshire BD14SF
Tel. +44 1274 725777
Fax +44 1274 725111
enquiries@univer.co.uk

UNIVER S.L.

SPAIN - 08210 **Barbera Del Valles**
Barcelona - Ronda Industria, 26 - 28
Tel. +34 93 7297360
Fax +34 93 7297380
univer@univerweb.com

UNIVER SWEDEN AB

SWEDEN - 44361 **Stenkullen**
Hedeforsvägen, 2
Tel. +46 302 23060
Fax +46 302 22864
info@univer.se

UNIVER AG

SWITZERLAND - 6312 **Steinhausen**
Postfach - Sumpfstrasse, 26
Tel. +41 41 7417580
Fax +41 41 7417280
mail@univer-ag.ch

Distributors worldwide:

Get in touch with UNIVER Sales Department
or visit our website www.univer-group.com



www.univer-group.com