

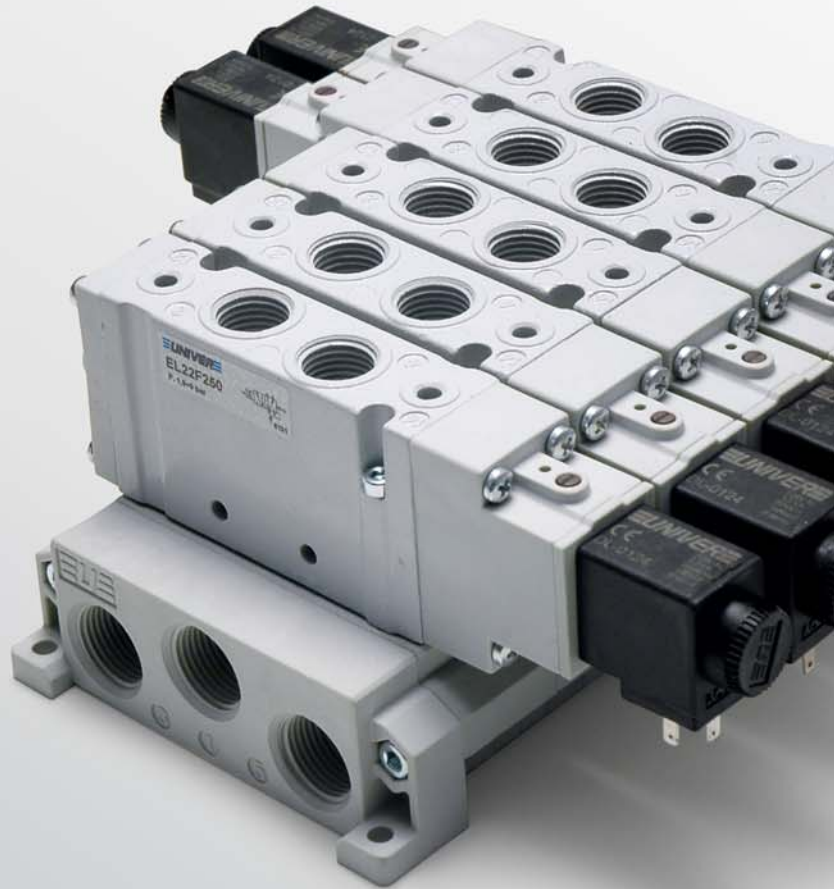
ESSENTIAL

Valves

EL series

18 mm - G1/8

22 mm - G1/4



ESSENTIAL Valves EL series 18 mm (G1/8) 22 mm (G1/4)

HIGH FLOW RATE

800 NI/min (G1/8) 1700 NI/min (G1/4)

REDUCED DIMENSIONS

18 mm (G1/8) 22 mm (G1/4)

COMPLETE SOLUTION

5/2 Monostable/Bistable

5/3 Closed centers/Open centers/Pressurized centers

3/2 NC+3/2 NC

3/2 NC+3/2 NO

3/2 NO+3/2 NO

STRONG

Metallic body

G1/8



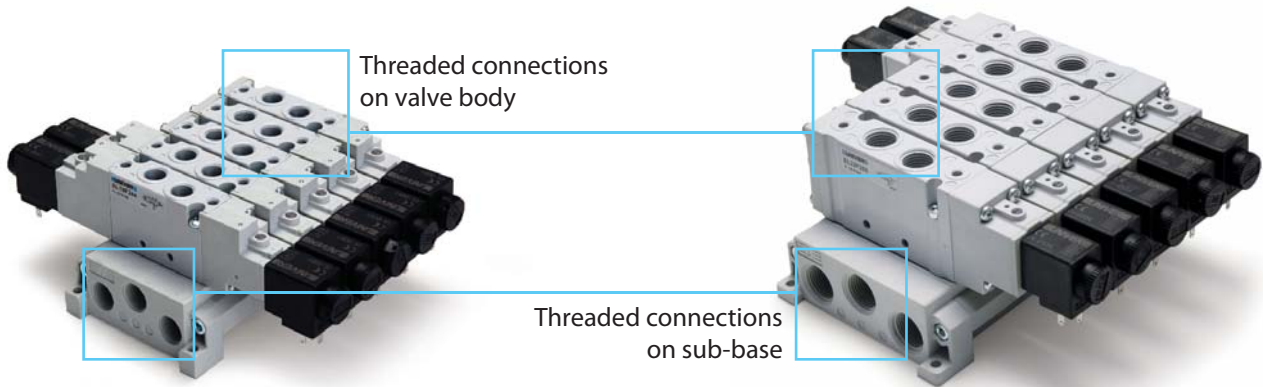
G1/4



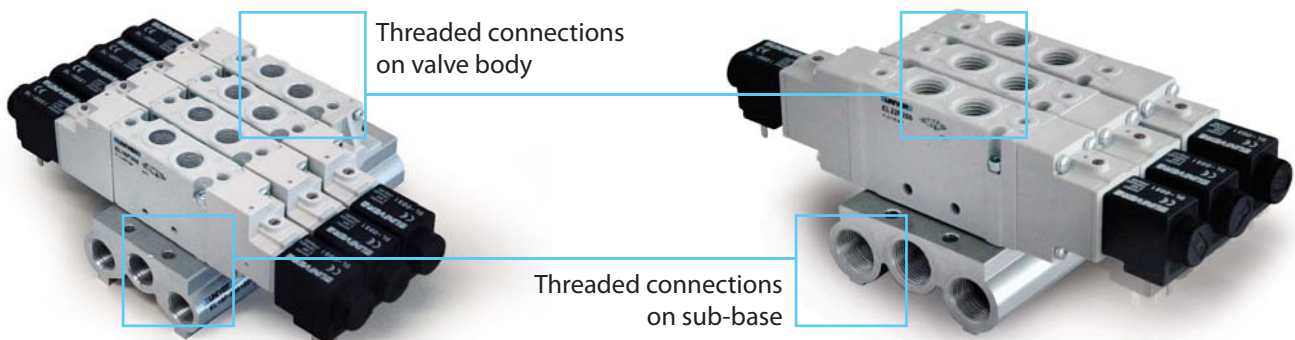
EL18F G1/8

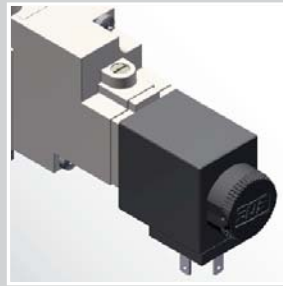
EL22F G1/4

Modular sub-base in technopolymer

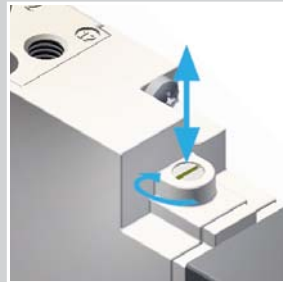


Aluminium-Grundplatte

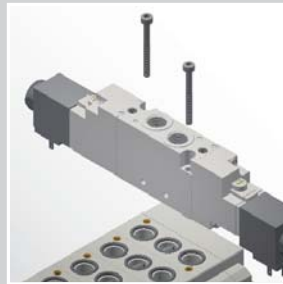




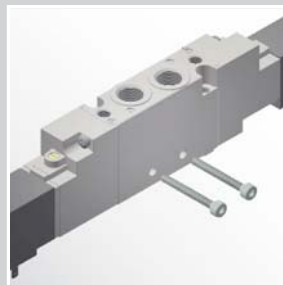
**Interchangeable
U6 coil**
12 - 24 V DC
24 - 110 - 220 V AC



**Manual override
(standard)**
1/2 position impulse



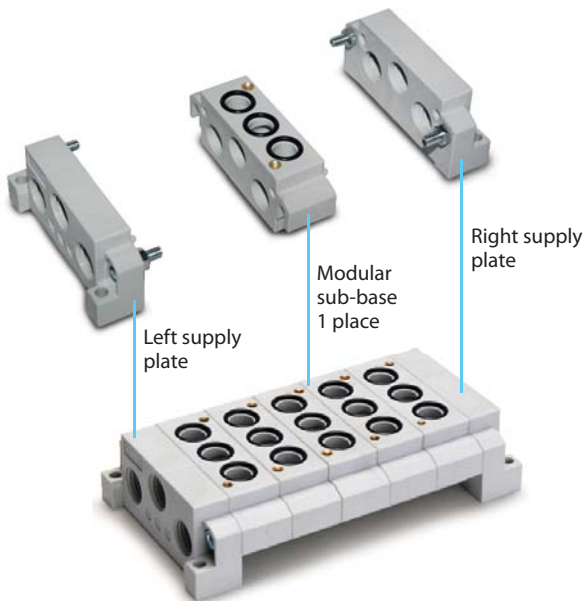
Sub-base mounting
Easy installation by means
of 2 screws



Individual mounting
Side holes on valve body



**Traditional UNIVER
technology**
The dynamic spool
guarantees a long life and
reliability

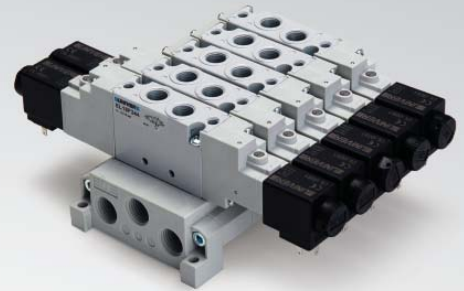


1 ÷ 10 positions



EL18F

ESSENTIAL Valves 18 mm - G1/8



TECHNICAL CHARACTERISTICS

Ambient temperature	-5 ÷ 50 °C
Fluid temperature	Max 50 °C
Fluid	filtered air 10 µm, with or without lubrication
Commutation system	spool
Ways/positions	5/2 - 5/3 - 3/2+3/2
Max pressure	8 bar (electrical override) 10 bar (pneumatic override)
Control	indirect electropneumatic, pneumatic
Return	mechanical spring, pneumomechanical spring, pneumatic amplified, electrical amplified
Connections	G1/8
Nominal flow rate (Nl/min)	800 (5/2) 720 (5/3) 720 (3/2+3/2)

CONSTRUCTIVE CHARACTERISTICS

Valve body	zamak
Seals	nitrile rubber
Actuators	technopolymer
Sub-base	technopolymer/aluminum
Spool	aluminum

ELECTRICAL CHARACTERISTICS

Electropilot	electropilot U6
Coil	DL series
Voltage	12 V DC - 24 V DC - 24 V AC - 48 V AC - 110 V AC - 230 V AC
Power consumption	2,5 W 5 VA
Protection degree	IP65
Manual override	impulse 1/2 positions

CODIFICATION KEY

E	L	1	8	F	2	5	0	
		1	2	3	4	5		

1 Series	2 Type
-----------------	---------------

EL18F = ESSENTIAL Valves 18 mm - G1/8

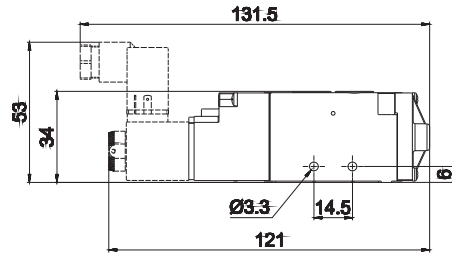
2 = 5/2 6 = 3/2+3/2 NC-NC
 3 = 5/3 c.c. 7 = 3/2+3/2 NC-NO
 4 = 5/3 o.c. 8 = 3/2+3/2 NO-NO
 5 = 5/3 p.c.

3 Control 14	4 Return 12	5 Variant
---------------------	--------------------	------------------

3 = Pneumatic amplified 0 = Pneumomechanical spring D = External pilot supply
 5 = Electrical amplified DC/AC 1 = Mechanical spring
 3 = Pneumatic amplified
 5 = Electrical amplified DC/AC

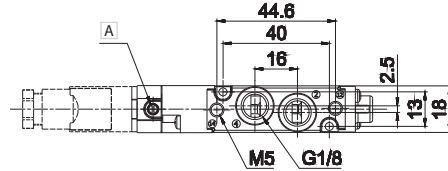
c.c. = closed centers o.c. = open centers p.c. = pressurized centers

Single electrical impulse



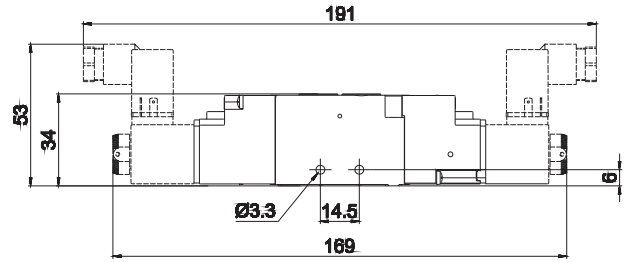
A Manual override

2 - 4 = Use
14 = Control
12 = Return



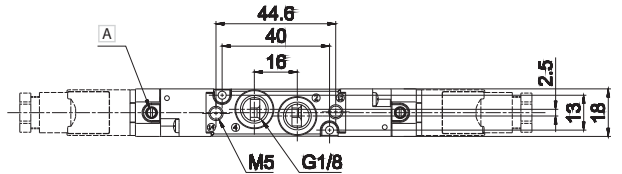
Symbol	Type	Control	Return	Pressure bar	Weight Kg	Part No.
	5/2	electrical amplified	pneumomechanical spring	1,9÷8	0,168	EL18F250
	5/2	electrical amplified	mechanical spring	2÷8	0,168	EL18F251

Double electrical impulse



A Manual override

2 - 4 = Use
14 = Control
12 = Return

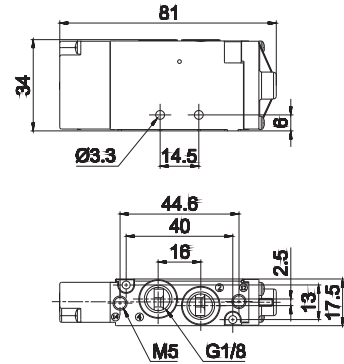


Symbol	Type	Control	Return	Pressure bar	Weight Kg	Part No.
	5/2	electrical amplified	electrical amplified	1÷8	0,192	EL18F255
	5/3 c.c.	electrical amplified	electrical amplified	1,9÷8	0,192	EL18F355
	5/3 o.c.	electrical amplified	electrical amplified	1,9÷8	0,192	EL18F455
	5/3 p.c.	electrical amplified	electrical amplified	1,9÷8	0,192	EL18F555
	3/2 NC + 3/2 NC	electrical amplified	electrical amplified	1,5÷8	0,192	EL18F655
	3/2 NC + 3/2 NO	electrical amplified	electrical amplified	1,5÷8	0,192	EL18F755
	3/2 NO + 3/2 NO	electrical amplified	electrical amplified	1,5÷8	0,192	EL18F855

c.c. = closed centers o.c. = open centers p.c. = pressurized centers

Solenoid valves are supplied without coil and connector

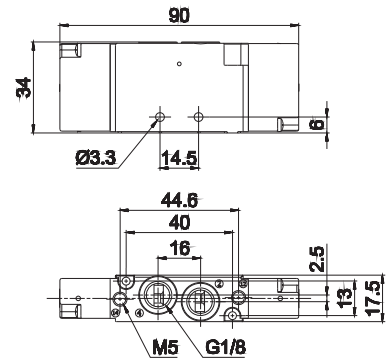
Single pneumatic impulse



2 - 4 = Use
14 = Control
12 = Return

Symbol	Type	Control	Return	Pressure bar	Weight Kg	Part No.
	5/2	pneumatic amplified	pneumomechanical spring	1,9÷10	0,149	EL18F230
	5/2	pneumatic amplified	mechanical spring	2÷10	0,149	EL18F231

Double pneumatic impulse

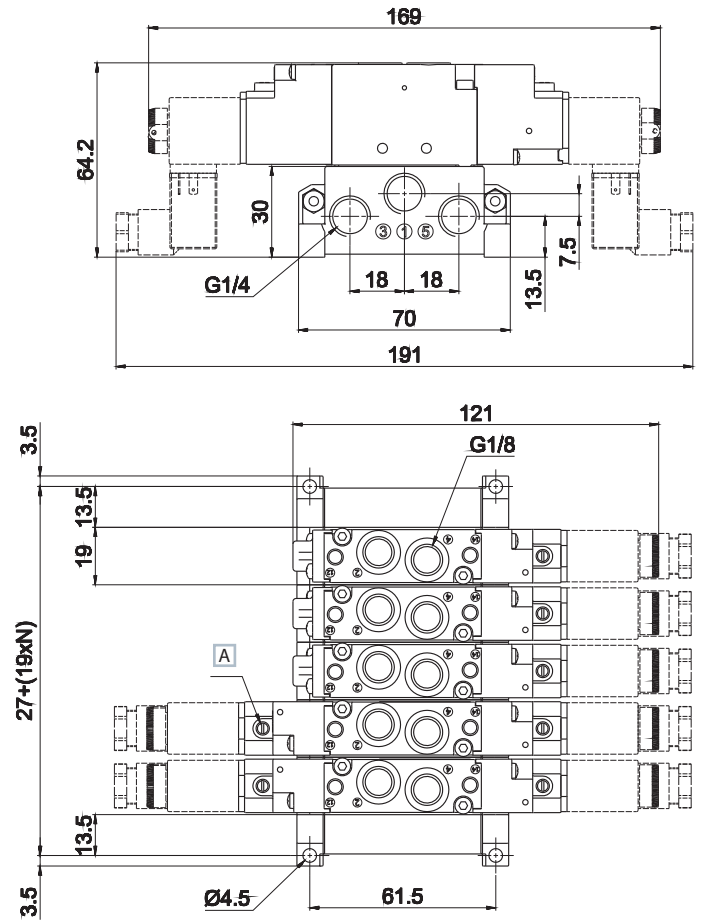
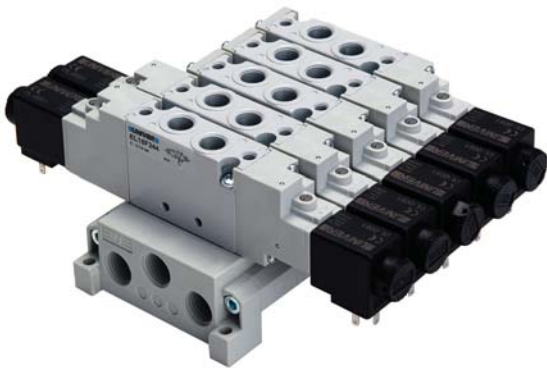


2 - 4 = Use
14 = Control
12 = Return

Symbol	Type	Control	Return	Pressure bar	Weight Kg	Part No.
	5/2	pneumatic amplified	pneumatic amplified	0,7÷10	0,154	EL18F233
	5/3 c.c.	pneumatic amplified	pneumatic amplified	1,9÷10	0,154	EL18F333
	5/3 o.c.	pneumatic amplified	pneumatic amplified	1,9÷10	0,154	EL18F433
	5/3 p.c.	pneumatic amplified	pneumatic amplified	1,9÷10	0,154	EL18F533
	3/2 NC + 3/2 NC	pneumatic amplified	pneumatic amplified	1,5÷10	0,154	EL18F633
	3/2 NC + 3/2 NO	pneumatic amplified	pneumatic amplified	1,5÷10	0,154	EL18F733
	3/2 NO + 3/2 NO	pneumatic amplified	pneumatic amplified	1,5÷10	0,154	EL18F833

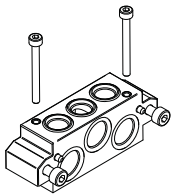
c.c. = closed centers o.c. = open centers p.c. = pressurized centers

Modular sub-base in technopolymer

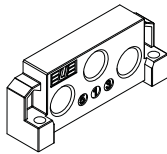


- A** Manual override
- 1 = Supply
- 2 - 4 = Use
- 3 - 5 = Exhaust
- 14 = Control
- 12 = Return
- N = Number of valve places

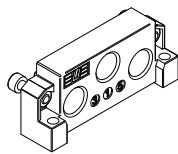
EL18SF300 EL18SF515 EL18SF516 EL18SF518 EL18SF560 EL18SF570



Sub-base 1 place
Screws and seals are included



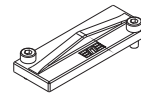
Left supply plate G1/4



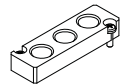
Right supply plate G1/4
Screws and seals are included



Fixing spring for DIN rail
Screws are included



Closing plate for unused
valve place
Screws are included



Intermediate supply plate
Screws are included

Coil and connector

■ Coil



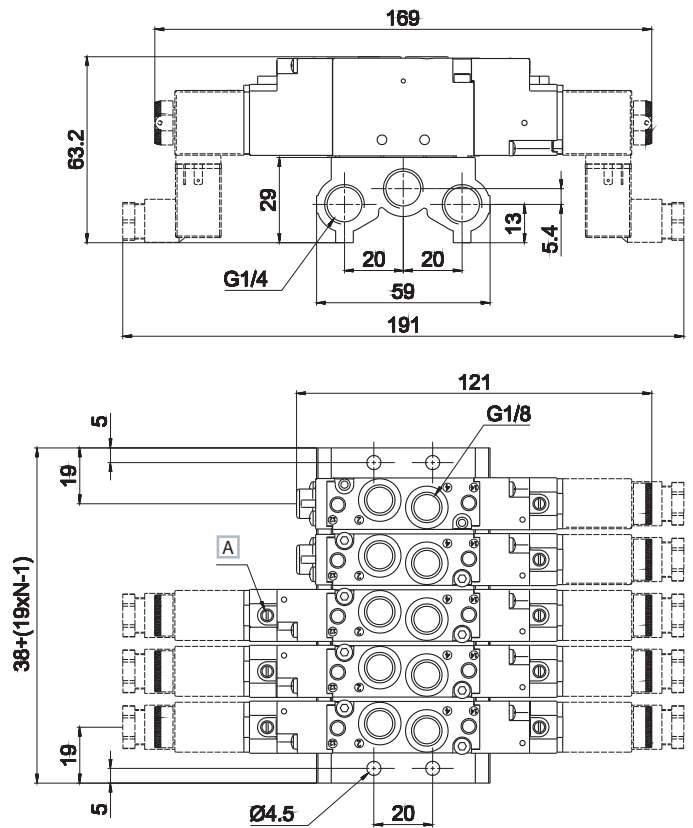
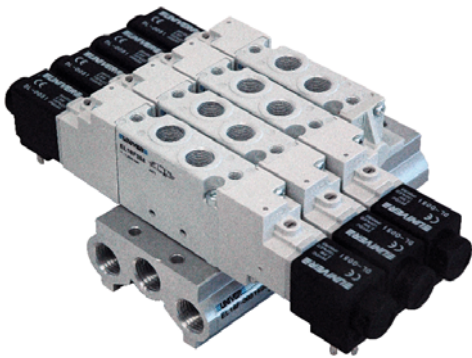
- DL-0050 24 V AC 50/60 Hz 5 VA
- DL-0051 12 V DC 2,5 W
- DL-0106 24 V DC 2,5 W
- DL-0108 110 V AC 50/60 Hz 5 VA
- DL-0124 230 V AC 50/60 Hz 5 VA

■ Connector



AM-5109

Aluminum sub-base



Part No.	No. Positions
EL18SF900-02	2
EL18SF900-03	3
EL18SF900-04	4
EL18SF900-05	5
EL18SF900-06	6
EL18SF900-07	7
EL18SF900-08	8
EL18SF900-09	9
EL18SF900-10	10

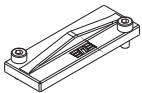
The sub-base includes gaskets and screws for mounting valves

A Manual override

- 1 = Supply
- 2 - 4 = Use
- 3 - 5 = Exhaust
- 14 = Control
- 12 = Return

N = Number of valve places

EL18SF560



Closing plate for unused valve place
Screws are included

EL22F

ESSENTIAL Valves 22 mm - G1/4



TECHNICAL CHARACTERISTICS

Ambient temperature	-5 ÷ 50 °C
Fluid temperature	Max 50 °C
Fluid	filtered air 10 µm, with or without lubrication
Commutation system	spool
Ways/positions	5/2 - 5/3 - 3/2+3/2
Max pressure	8 bar (electrical control) 10 bar (pneumatic control)
Control	indirect electropneumatic, pneumatic
Return	mechanical spring, pneumomechanical spring, pneumatic amplified, electrical amplified
Connections	G1/4
Nominal flow rate (NI/min)	1700 (5/2) 1450 (5/3) 1450 (3/2+3/2)

CONSTRUCTIVE CHARACTERISTICS

Valve body	aluminum
Seals	nitrile rubber
Actuators	technopolymer
Sub-base	technopolymer/aluminum
Spool	aluminum

ELECTRICAL CHARACTERISTICS

Electropilot	electropilot U6
Coil	DL series
Voltage	12 V DC - 24 V DC - 24 V AC - 48 V AC - 110 V AC - 230 V AC
Power consumption	2,5 W 5 VA
Protection degree	IP65
Manual override	impulse 1/2 positions

CODIFICATION KEY

E	L	2	2	F	2	5	0	
		1	2	3	4	5		

1 Series EL22F = ESSENTIAL Valves 22 mm - G1/4	2 Type 2 = 5/2 6 = 3/2+3/2 NC-NC 3 = 5/3 c.c. 7 = 3/2+3/2 NC-NO 4 = 5/3 o.c. 8 = 3/2+3/2 NO-NO 5 = 5/3 p.c.
--	---

3 Control 14 3 = Pneumatic amplified 5 = Electrical amplified DC/AC	4 Return 12 0 = Pneumomechanical spring 1 = Mechanical spring 3 = Pneumatic amplified 5 = Electrical amplified DC/AC	5 Variant D = External pilot supply
--	---	---

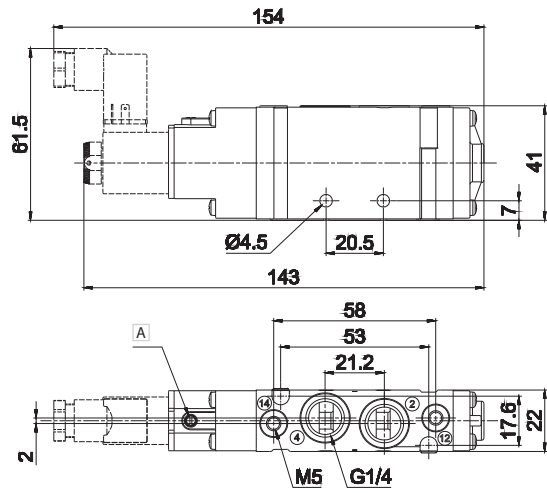
c.c. = closed centers o.c. = open centers p.c. = pressurized centers

Single electrical impulse



A Manual override

2 - 4 = Use
14 = Control
12 = Return



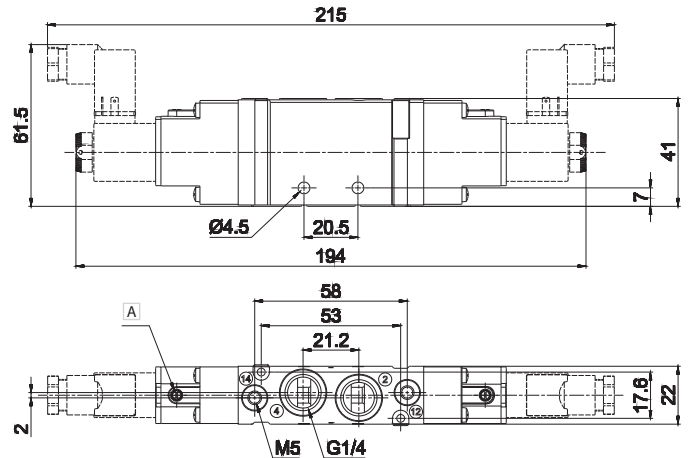
Symbol	Type	Control	Return	Pressure bar	Weight Kg	Part No.
	5/2	electrical amplified	pneumomechanical spring	1,5÷8	0,186	EL22F250
	5/2	electrical amplified	mechanical spring	1,9÷8	0,186	EL22F251

Double electrical impulse



A Manual override

2 - 4 = Use
14 = Control
12 = Return

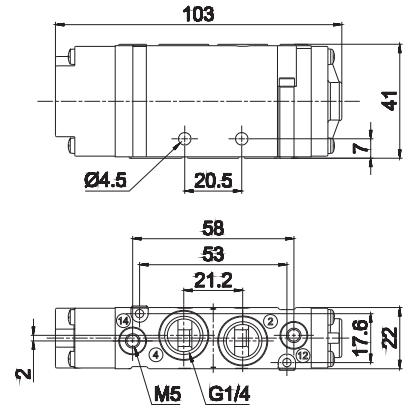


Symbol	Type	Control	Return	Pressure bar	Weight Kg	Part No.
	5/2	electrical amplified	electrical amplified	1,5÷8	0,210	EL22F255
	5/3 c.c.	electrical amplified	electrical amplified	1,9÷8	0,210	EL22F355
	5/3 o.c.	electrical amplified	electrical amplified	1,9÷8	0,210	EL22F455
	5/3 p.c.	electrical amplified	electrical amplified	1,9÷8	0,210	EL22F555
	3/2 NC + 3/2 NC	electrical amplified	electrical amplified	1,5÷8	0,210	EL22F655
	3/2 NC + 3/2 NO	electrical amplified	electrical amplified	1,9÷8	0,210	EL22F755
	3/2 NO + 3/2 NO	electrical amplified	electrical amplified	1,9÷8	0,210	EL22F855

c.c. = closed centers o.c. = open centers p.c. = pressurized centers

Solenoid valves are supplied without coil and connector

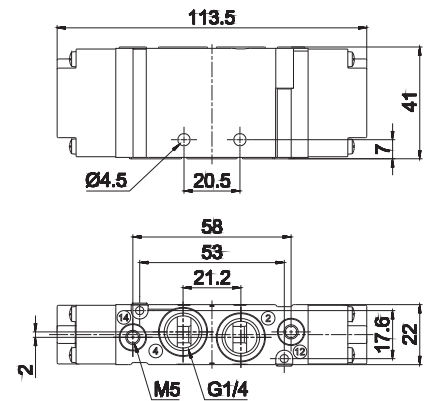
Single pneumatic impulse



2 - 4 = Use
14 = Control
12 = Return

Symbol	Type	Control	Return	Pressure bar	Weight Kg	Part No.
	5/2	pneumatic amplified	pneumomechanical spring	1,9÷10	0,167	EL22F230
	5/2	pneumatic amplified	mechanical spring	2÷10	0,167	EL22F231

Double pneumatic impulse

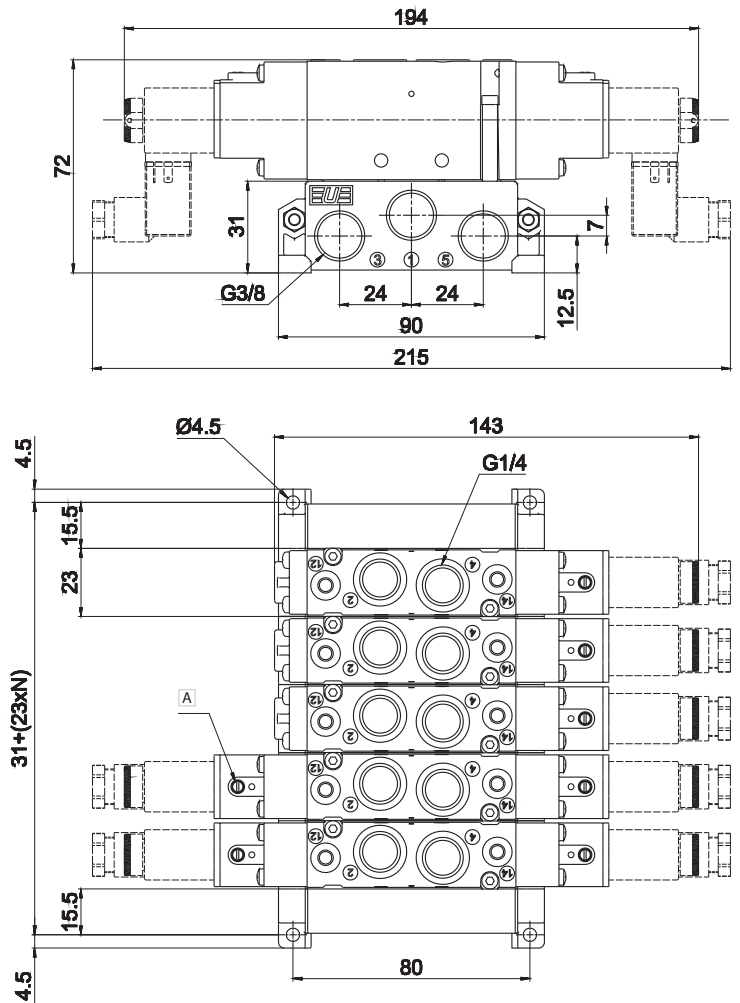


2 - 4 = Use
14 = Control
12 = Return

Symbol	Type	Control	Return	Pressure bar	Weight Kg	Part No.
	5/2	pneumatic amplified	pneumatic amplified	0,7÷10	0,172	EL22F233
	5/3 c.c.	pneumatic amplified	pneumatic amplified	1,6÷10	0,172	EL22F333
	5/3 o.c.	pneumatic amplified	pneumatic amplified	1,6÷10	0,172	EL22F433
	5/3 p.c.	pneumatic amplified	pneumatic amplified	1,6÷10	0,172	EL22F533
	3/2 NC + 3/2 NC	pneumatic amplified	pneumatic amplified	1,3÷10	0,172	EL22F633
	3/2 NC + 3/2 NO	pneumatic amplified	pneumatic amplified	1,3÷10	0,172	EL22F733
	3/2 NO + 3/2 NO	pneumatic amplified	pneumatic amplified	1,3÷10	0,172	EL22F833

c.c. = closed centers o.c. = open centers p.c. = pressurized centers

Modular sub-base in technopolymer

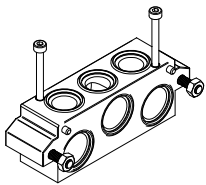


A Manual override

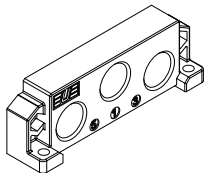
- 1 = Supply
- 2 - 4 = Use
- 3 - 5 = Exhaust
- 14 = Control
- 12 = Return

N = Number of valve places

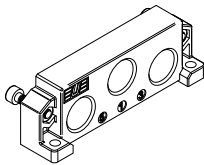
EL22SF300 EL22SF515 EL22SF516 EL22SF518 EL22SF560 EL22SF570



Sub-base 1 place
Screws and seals are included



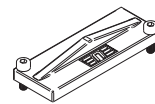
Left supply plate G3/8



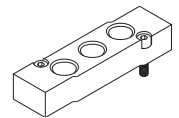
Right supply plate G3/8
Screws and seals are included



Fixing spring for DIN rail
Screws are included



Closing plate for unused valve place
Screws are included



Intermediate supply plate
Screws are included

Coil and connector

■ Coil



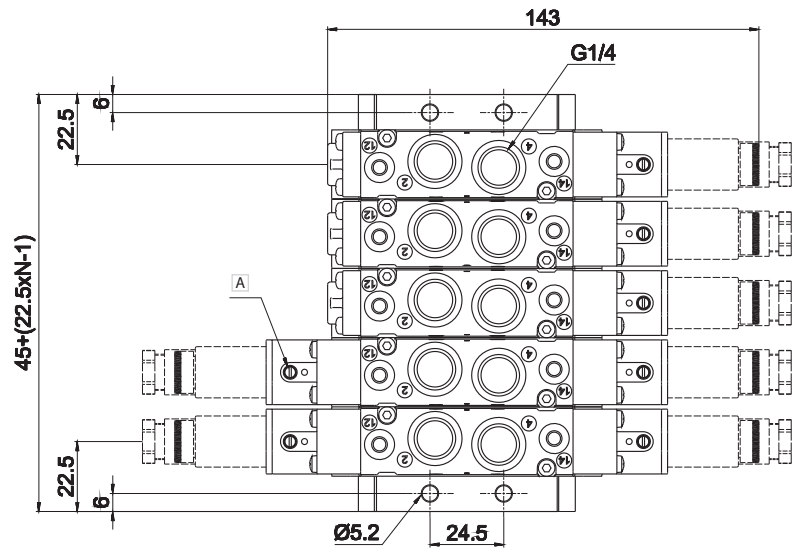
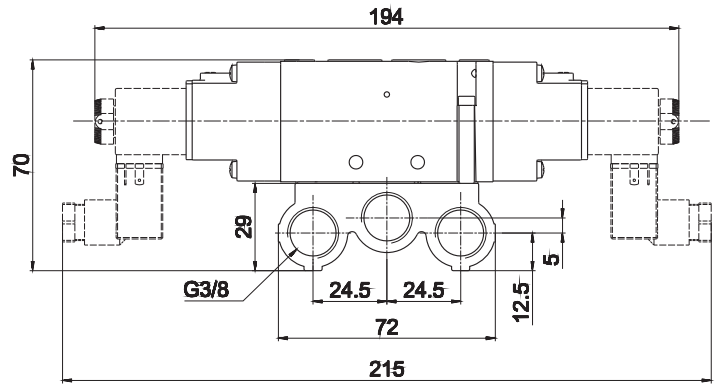
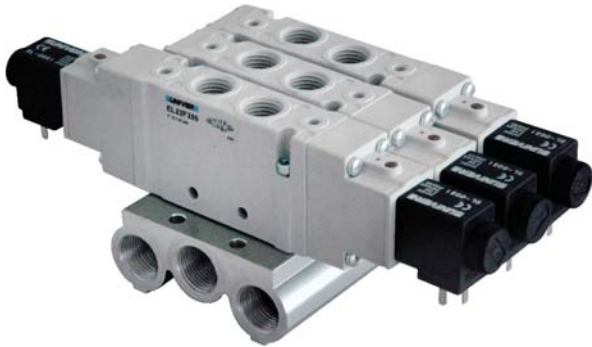
- DL-0050 24 V AC 50/60 Hz 5 VA
- DL-0051 12 V DC 2,5 W
- DL-0106 24 V DC 2,5 W
- DL-0108 110 V AC 50/60 Hz 5 VA
- DL-0124 230 V AC 50/60 Hz 5 VA

■ Connector



AM-5109

Aluminum sub-base



Part No.	No. Positions
EL22SF900-02	2
EL22SF900-03	3
EL22SF900-04	4
EL22SF900-05	5
EL22SF900-06	6
EL22SF900-07	7
EL22SF900-08	8
EL22SF900-09	9
EL22SF900-10	10

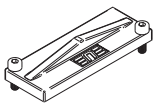
The sub-base includes gaskets and screws for mounting valves

A Manual override

- 1 = Supply
- 2 - 4 = Use
- 3 - 5 = Exhaust
- 14 = Control
- 12 = Return

N = Number of valve places

EL22SF560



Closing plate for unused valve place
Screws are included



UNIVER S.p.A.

Headquarters

I - 20128 **Milano**
Via Eraclito, 31
Tel. +39 02 25298.1
Fax +39 02 2575254
info@univer-group.com
www.univer-group.com

UNIVER SERVICE S.r.l.

Headquarters

I - 20128 **Milano**
Via Empedocle, 20
Tel. +39 02 25298.1
Fax +39 02 25298370
universervice@universervice.it
www.universervice.it

Branch Offices

LOMBARDIA

I - 20128 **Milano**
Via Empedocle, 20
Tel. +39 02 25298.1
Fax +39 02 25298370
universervice@universervice.it

I - 24060 Castelli Calepio **Bergamo**
Via C. Curotti, 31/33
Tel. +39 030 7435420
Fax +39 030 733328
castellicalepio@universervice.it

I - 22040 Monguzzo **Como**
Via Valassina, 18/b3
Tel. +39 031 617922
Fax +39 031 651222
monguzzo@universervice.it

PIEMONTE/LIGURIA/VALLE D'AOSTA

I - 10071 Borgaro Torinese **Torino**
Via Veneto, 18
Tel. +39 011 4501871
Fax +39 011 4502898
torino@universervice.it

VENETO/FRIULI VENEZIA-GIULIA TRENTINO-ALTO ADIGE

I - 30030 Vigonovo **Venezia**
Via Prima strada 16/A - Loc. Galta
Tel. +39 049 9834140
Fax +39 049 9833972
vigonovo@universervice.it

EMILIA ROMAGNA

I - 40069 Zola Predosa **Bologna**
Via Balzani, 5
Tel. +39 051 753907
Fax +39 051 6184751
bologna@universervice.it

CENTRO/SUD

I - 40069 Zola Predosa **Bologna**
Via Balzani, 5
Tel. +39 051 753907
Fax +39 051 6184751
bologna@universervice.it

UNIVER DO BRASIL S/A

BRAZIL - 13474-764
Americana **São Paulo**
Rua do Polyester, 29
Distrito Industrial Abdo Najar
Tel. +55 19 3113-9400
Fax +55 19 3113-9405
atendimento@univer.com.br

UNIVER CHINA

CHINA - Shanghai
399 Fu Te North Road,
Free Zone, Pudong
info@univer-china.com

UNIVER FRANCE S.a.s.

FRANCE - 68000
Colmar
1, rue Denis Papin
Tel. +33 3 89210900
Fax +33 3 89216850
info@univer-france.fr

UNIVER G.m.b.H.

GERMANY - D-65428
Rüsselsheim
Eisenstraße 51
Tel. +49 6142 408320
Fax +49 6142 4083290
info@univer-gmbh.de

UNIVER NORTH AMERICA

USA - 48312
Sterling Heights - **Michigan**
6620 Cobb Drive
Tel. +1 248 299 0525
Fax +1 248 299 0528
info@univer-group.us

UNIVER POLSKA Sp. z o.o.

POLAND - 25-663
Kielce
ul. K. Olszewskiego 21E
Tel. +48 41 278 72 53
Fax +48 41 278 72 54
univer@univer-group.pl

UNIVER S.L.

SPAIN - 08210
Barbera Del Valles **Barcelona**
Ronda Industria, 26 - 28
Tel. +34 93 7297360
Fax +34 93 7297380
univer@univerweb.com

Distributors worldwide:

Get in touch with UNIVER Sales Department
or visit our website www.univer-group.com



www.univer-group.com