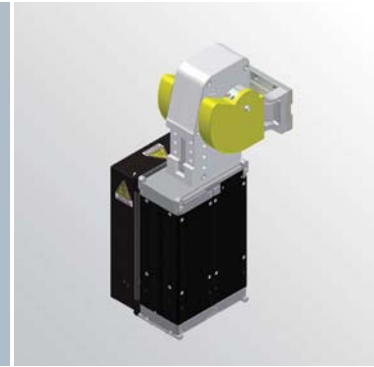


LAGE0500

Power pivot



L	A	G	E	0	5	0	0	V	D	0
1			2				3	4	5	

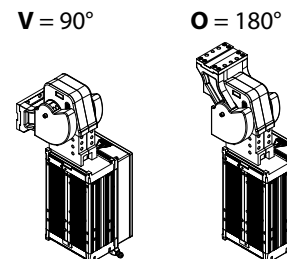
1 Series	2 Size	3 Pivot mount style
LAGE = Power pivot	0500	V = Vertical 180° O = Horizontal 90° Z = Vertical mount style symmetrical to V mount style. Max. opening angle 120° P = Horizontal mount style symmetrical to O mount style. Max. opening angle 60°

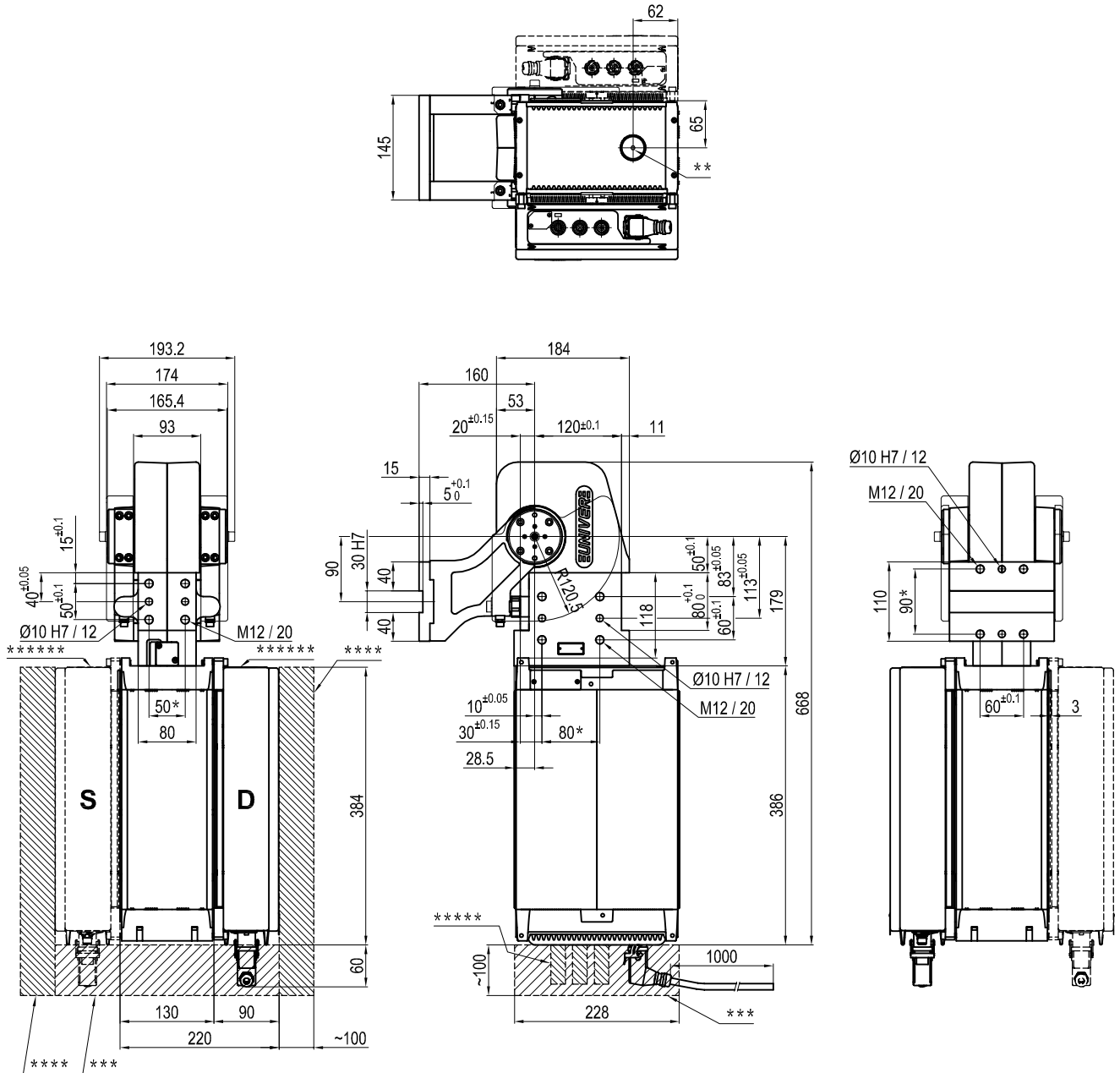
4 Control module position	5 Voltage
D = Right side S = Left side R = Remoted - cable to be ordered separately	O = 400 Vac 1 = 480 Vac 2 = 3-phase 230 Vac

Pivot rotation in degrees:

- 120°
- 90° (Standard)
- 60°
- 45°

Pivot mount style





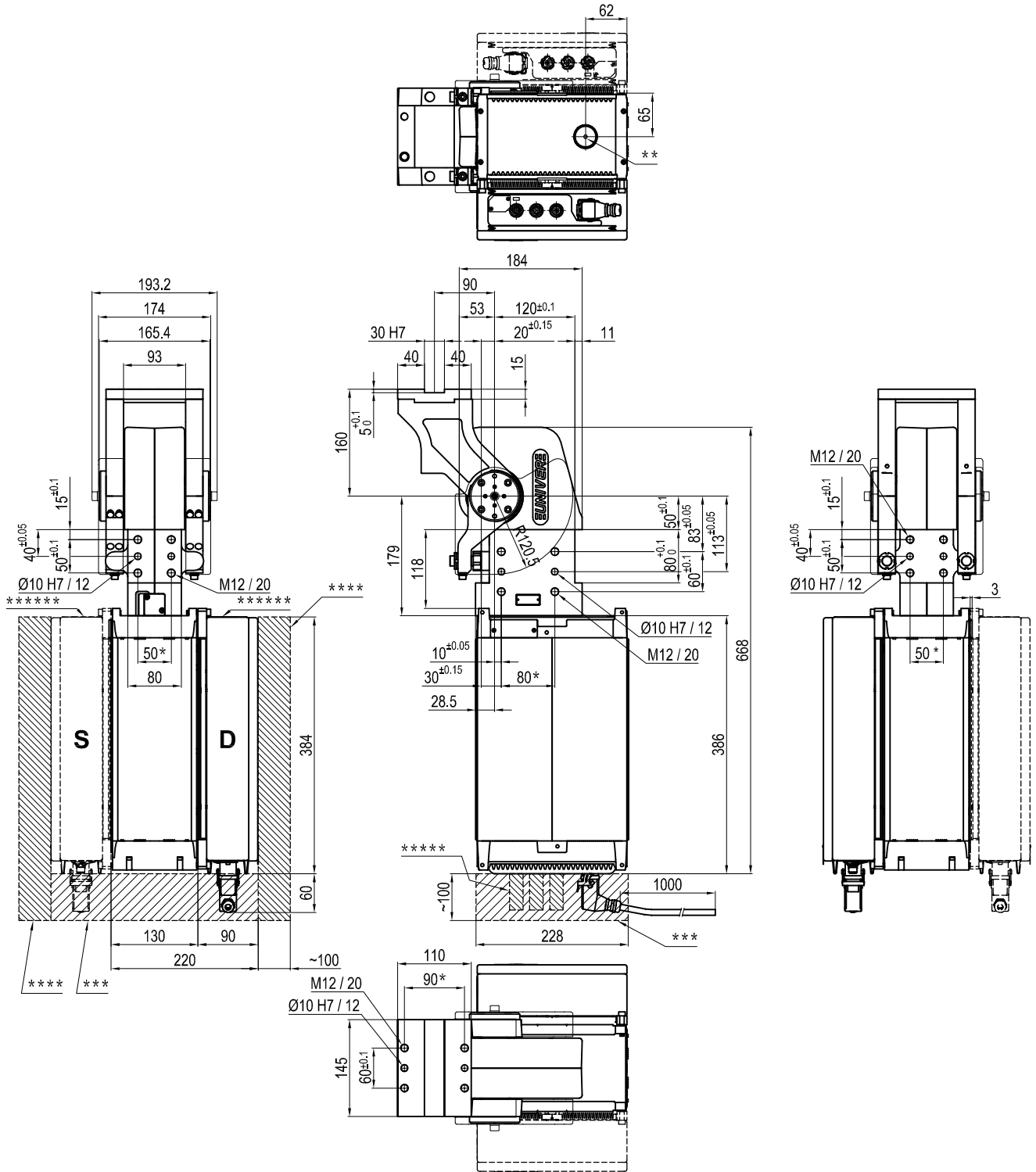
Size	Holding moment	Max bending moment with nominal voltage	Time to close	Weight
500	6000 Nm	500 Nm	1,7 + 3,7 Sec.x 90°	53 Kg

Operating temperature: $5^{\circ} \pm 45^{\circ} \text{C}$
 Predeterminable pivot rotation in degrees: $45^{\circ} - 60^{\circ} - 90^{\circ} - 120^{\circ}$
 Vertical arm mount position
 Protection class: **IP 65**

- * : TOLERANCE BETWEEN DOWEL HOLES ± 0.02 , TO SCREW HOLES ± 0.1
- ** : MANUAL OPERATION: COVER KEY $\odot = 5$, KEY TO MOVE THE TABLE $\odot = 10$
- *** : SPACE FOR MANUAL OPERATIONS
- **** : SPACE FOR OPERATING ON THE ELECTRONIC COMPONENTS
- ***** : ROOM FOR CONNECTORS
- ***** : CONTROL UNIT MOUNTING POSITION : D= RIGHT ; L= LEFT

Subject to technical modifications without notice

Electric power pivot

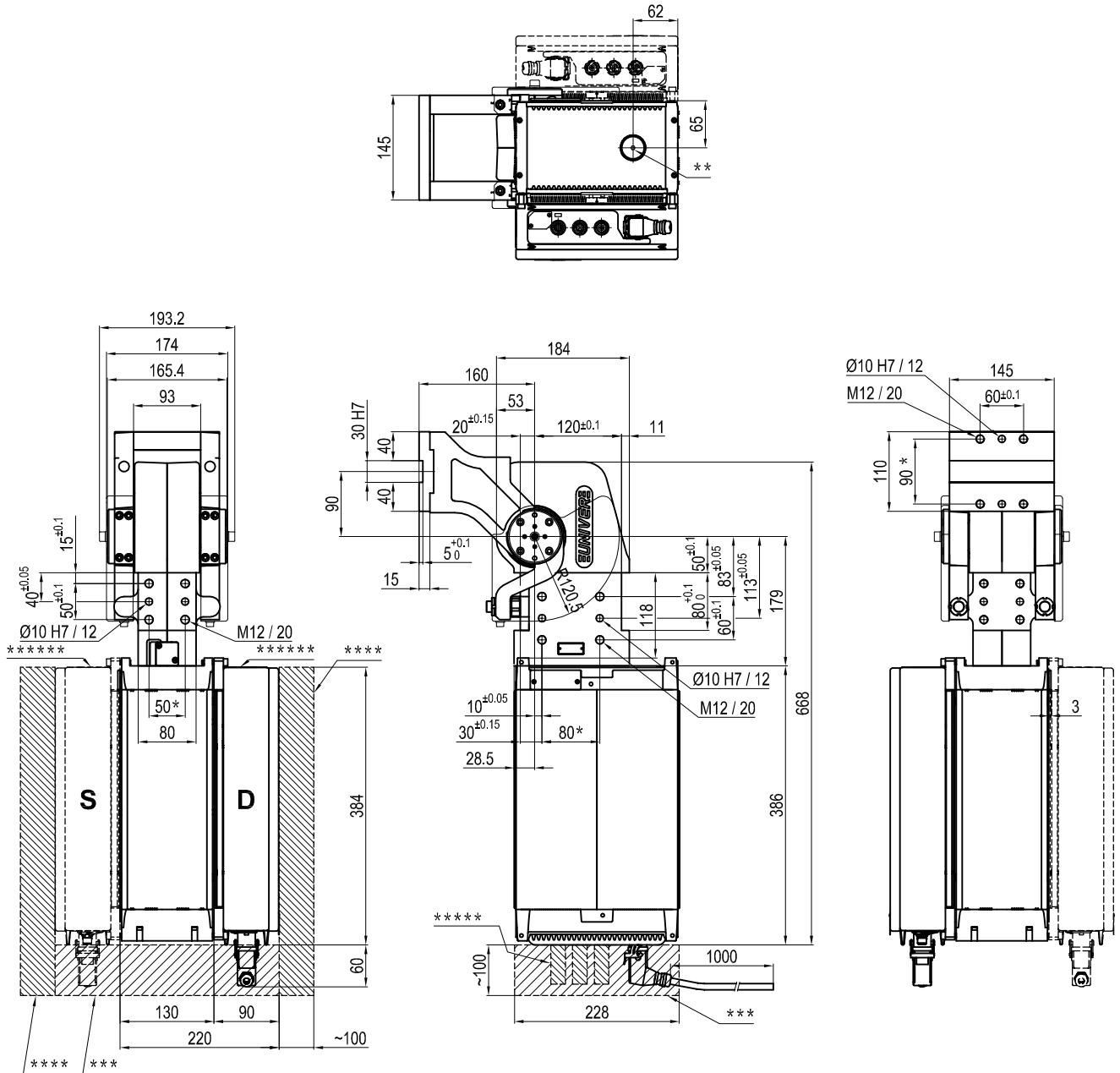


Size	Holding moment	Max bending moment with nominal voltage	Time to close	Weight
500	6000 Nm	500 Nm	1,7 + 3,7 Sec.x 90°	52.5 Kg

Operating temperature: $5^{\circ} \pm 45^{\circ} \text{C}$
 Predeterminable pivot rotation in degrees: $45^{\circ} - 60^{\circ} - 90^{\circ} - 120^{\circ}$
 Horizontal arm mount position
 Protection class: **IP 65**

- * : TOLERANCE BETWEEN DOWEL HOLES ± 0.02 , TO SCREW HOLES ± 0.1
- ** : MANUAL OPERATION: COVER KEY $\odot = 5$, KEY TO MOVE THE TABLE $\odot = 10$
- *** : SPACE FOR MANUAL OPERATIONS
- **** : SPACE FOR OPERATING ON THE ELECTRONIC COMPONENTS
- ***** : ROOM FOR CONNECTORS
- ***** : CONTROL UNIT MOUNTING POSITION : D= RIGHT ; L= LEFT

Subject to technical modifications without notice

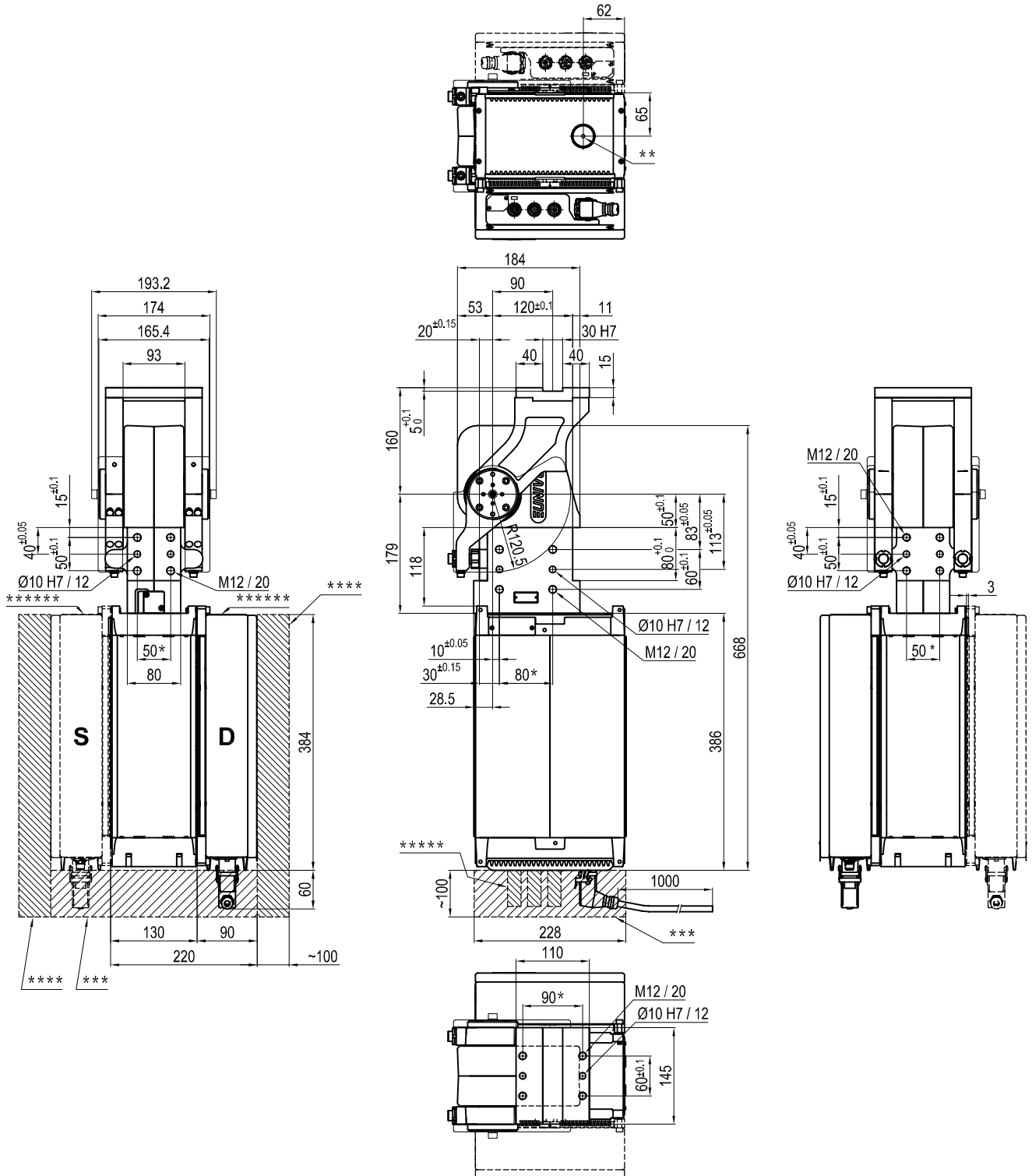


Size	Holding moment	Max bending moment with nominal voltage	Time to close	Weight
500	6000 Nm	500 Nm	1,7 + 3,8 Sec.x 90°	53 Kg

Operating temperature: $5^{\circ} \pm 45^{\circ} \text{C}$
 Predeterminable pivot rotation in degrees: $45^{\circ} - 60^{\circ} - 90^{\circ} - 120^{\circ}$
 Vertical arm mount position
 Protection class: **IP 65**

- * : TOLERANCE BETWEEN DOWEL HOLES ± 0.02 , TO SCREW HOLES ± 0.1
- ** : MANUAL OPERATION: COVER KEY $O = 5$, KEY TO MOVE THE TABLE $O = 10$
- *** : SPACE FOR MANUAL OPERATIONS
- **** : SPACE FOR OPERATING ON THE ELECTRONIC COMPONENTS
- ***** : ROOM FOR CONNECTORS
- ***** : CONTROL UNIT MOUNTING POSITION : D= RIGHT ; L= LEFT

Subject to technical modifications without notice



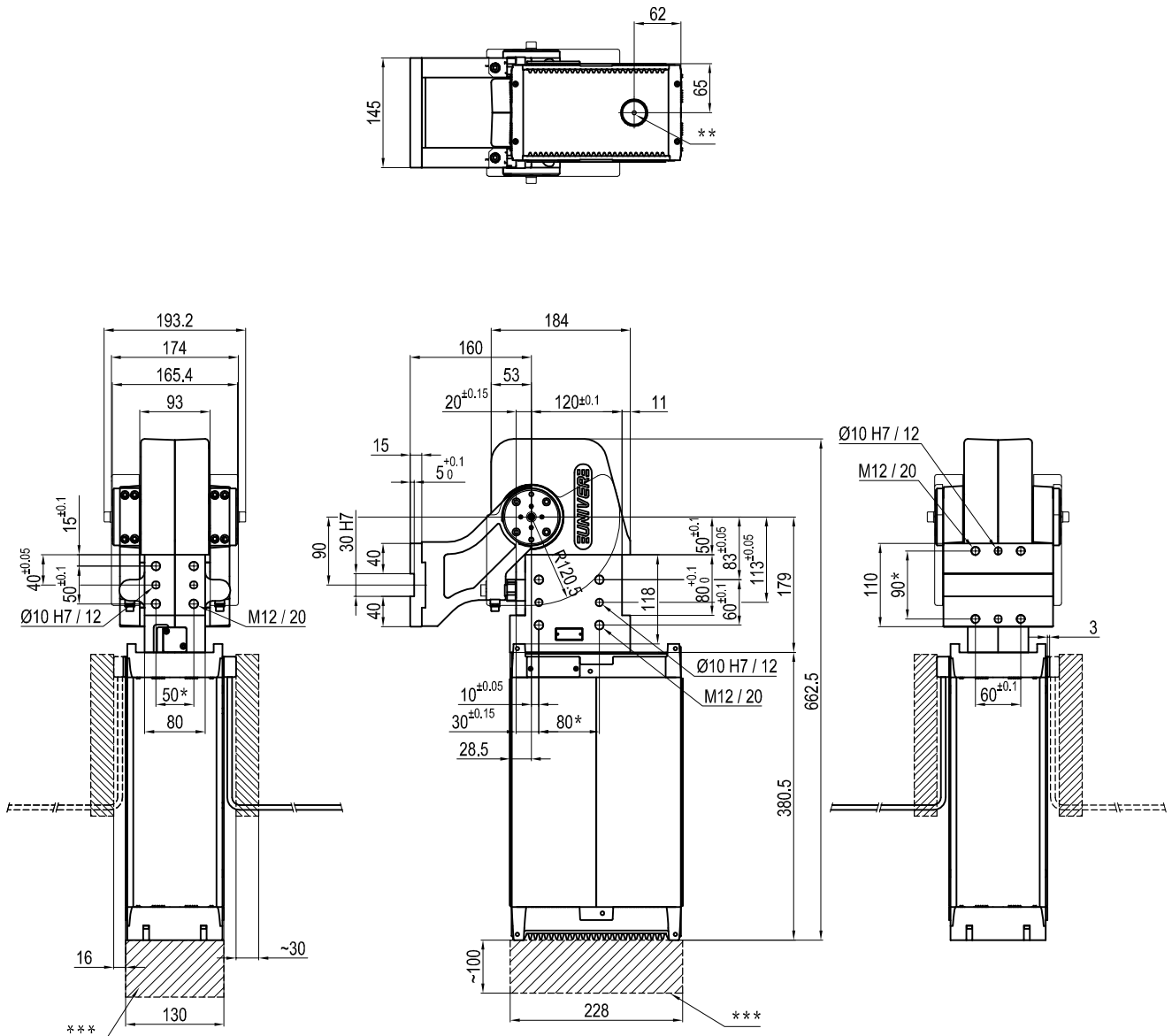
Size	Holding moment	Max bending moment with nominal voltage	Time to close	Weight
500	6000 Nm	500 Nm	1,7 + 3,8 Sec.x 90°	53 Kg

Operating temperature: $5^{\circ} \pm 45^{\circ} \text{C}$
 Predeterminable pivot rotation in degrees: $45^{\circ} - 60^{\circ} - 90^{\circ} - 120^{\circ}$
 Horizontal arm mount position
 Protection class: **IP 65**

- * : TOLERANCE BETWEEN DOWEL HOLES ± 0.02 , TO SCREW HOLES ± 0.1
- ** : MANUAL OPERATION: COVER KEY $\text{O} = 5$, KEY TO MOVE THE TABLE $\text{O} = 10$
- *** : SPACE FOR MANUAL OPERATIONS
- **** : SPACE FOR OPERATING ON THE ELECTRONIC COMPONENTS
- ***** : ROOM FOR CONNECTORS
- ***** : CONTROL UNIT MOUNTING POSITION : D= RIGHT ; L= LEFT

Subject to technical modifications without notice

It will always be supplied with LKMOSC and TZ-CVLAGE-__ _



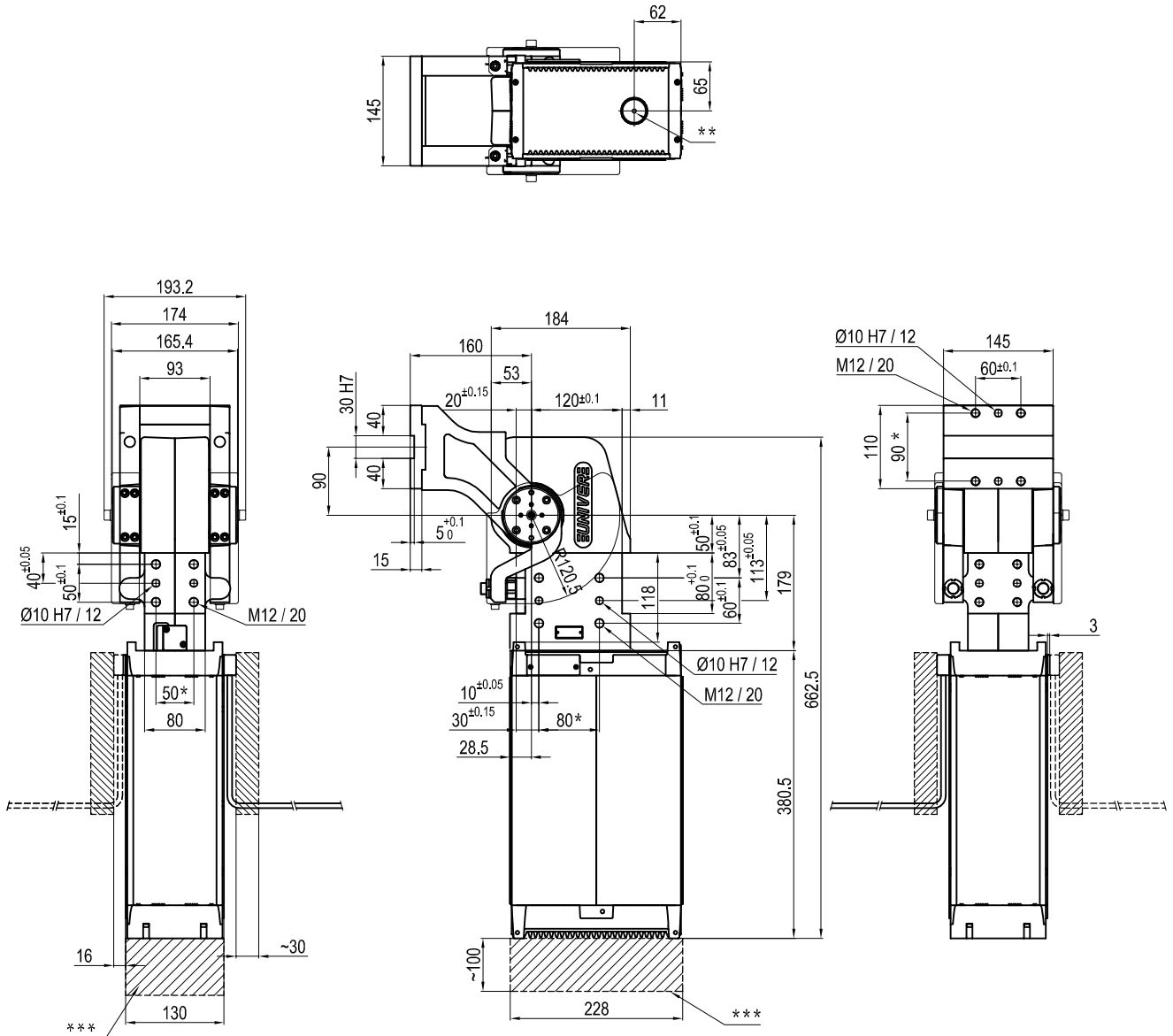
Size	Holding moment	Max bending moment with nominal voltage	Time to close	Weight
500	6000 Nm	500 Nm	1,7 + 3,7 Sec.x 90°	39 Kg

Operating temperature: $5^{\circ} \pm 45^{\circ} \text{C}$
 Predeterminable pivot rotation in degrees: $45^{\circ} - 60^{\circ} - 90^{\circ} - 120^{\circ}$
 Vertical arm mount position
 Protection class: **IP 65**

* : TOLERANCE BETWEEN DOWEL HOLES ± 0.02 , TO SCREW HOLES ± 0.1
 ** : MANUAL OPERATION: COVER KEY $\odot = 5$, KEY TO MOVE THE TABLE $\ominus = 10$
 *** : SPACE FOR MANUAL OPERATIONS

Subject to technical modifications without notice

It will always be supplied with LKMOSC and TZ-CVLAGE-__ _



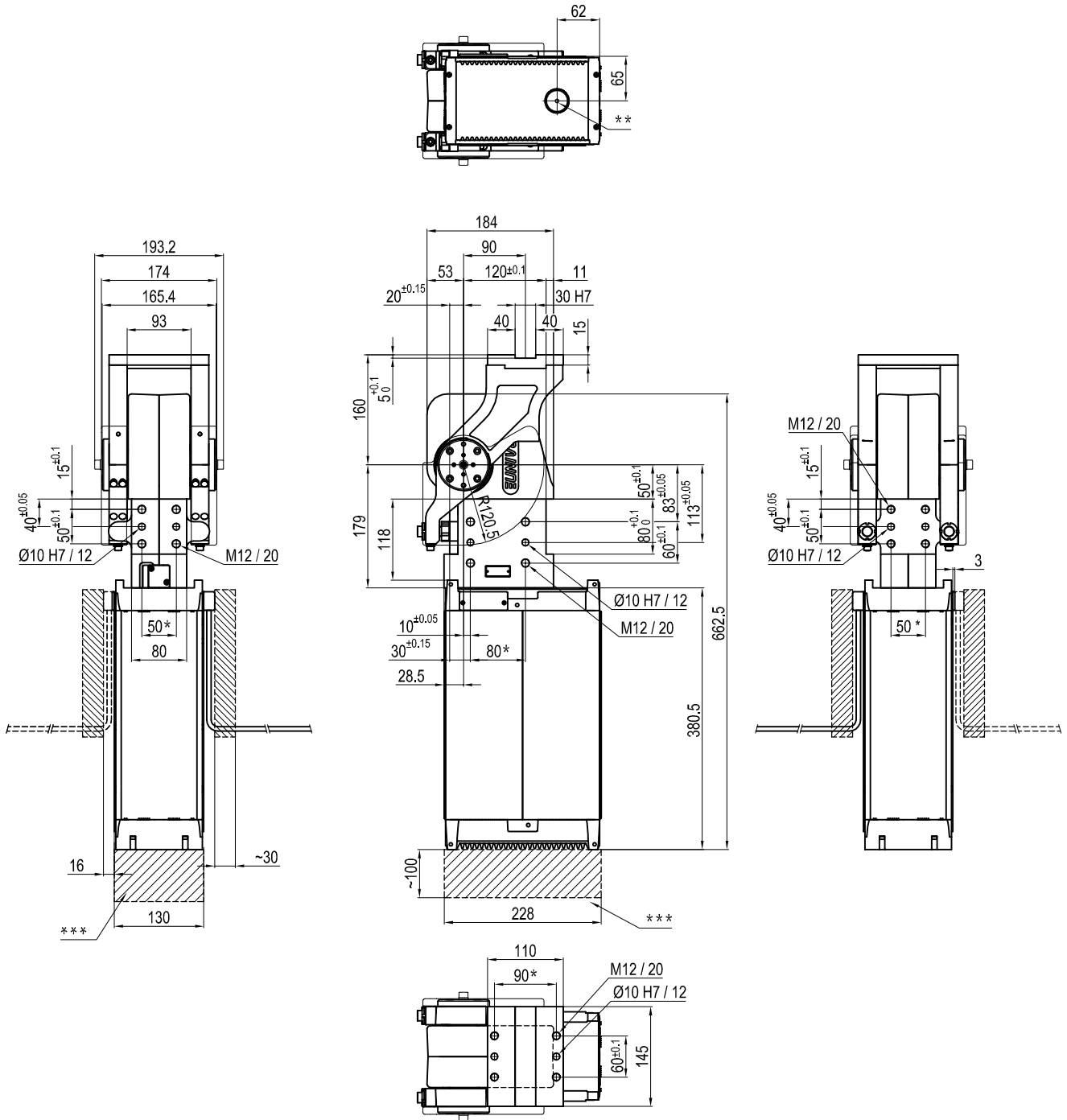
Size	Holding moment	Max bending moment with nominal voltage	Time to close	Weight
500	6000 Nm	500 Nm	1,7 + 3,8 Sec.x 90°	52.5 Kg

Operating temperature: $5^{\circ} \pm 45^{\circ} \text{C}$
 Predeterminable pivot rotation in degrees: $45^{\circ} - 60^{\circ} - 90^{\circ} - 120^{\circ}$
 Vertical arm mount position
 Protection class: **IP 65**

* : TOLERANCE BETWEEN DOWEL HOLES ± 0.02 , TO SCREW HOLES ± 0.1
 ** : MANUAL OPERATION: COVER KEY $\odot = 5$, KEY TO MOVE THE TABLE $\ominus = 10$
 *** : SPACE FOR MANUAL OPERATIONS

Subject to technical modifications without notice

It will always be supplied with LKMOSC and TZ-CVLAGE-__ _



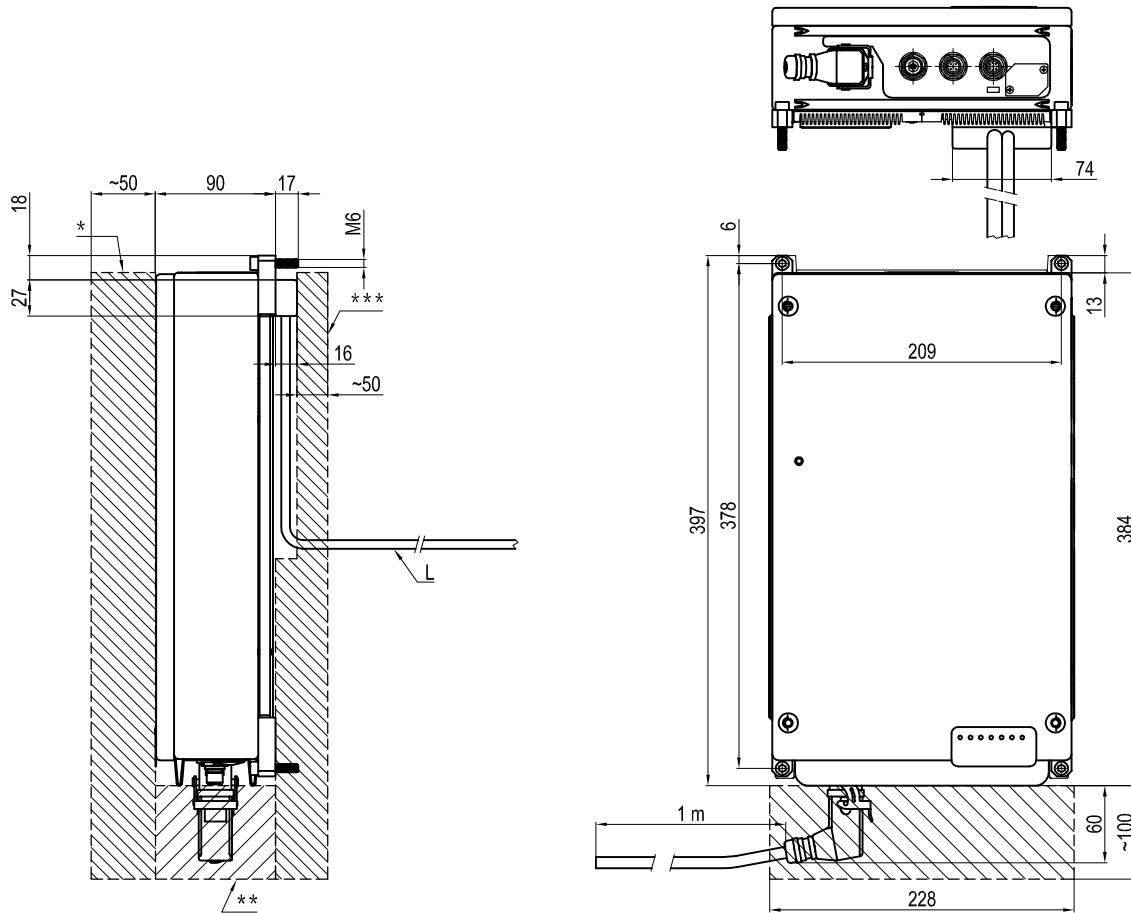
Size	Holding moment	Max bending moment with nominal voltage	Time to close	Weight
500	6000 Nm	500 Nm	1,7 + 3,8 Sec.x 90°	39 Kg

Operating temperature: $5^{\circ} \pm 45^{\circ} \text{C}$
 Predeterminable pivot rotation in degrees: $45^{\circ} - 60^{\circ} - 90^{\circ} - 120^{\circ}$
 Horizontal arm mount position
 Protection class: **IP 65**

* : TOLERANCE BETWEEN DOWEL HOLES ± 0.02 , TO SCREW HOLES ± 0.1
 ** : MANUAL OPERATION: COVER KEY $\odot = 5$, KEY TO MOVE THE TABLE $\odot = 10$
 *** : SPACE FOR MANUAL OPERATIONS

Subject to technical modifications without notice

Remoted control unit for LAGE0500 - LAGE1000



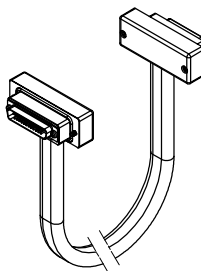
* : SPACE FOR OPERATING ON THE ELECTRONIC COMPONENTS
 ** : ROOM FOR CONNECTORS
 *** : SPACE TO REMOTE THE CONTROL UNIT

Operating temperature : $5^{\circ} \div 45^{\circ} \text{ C}$
 Protection class : **IP 65**

TZ-CVLAGE-__ __

Cable for the connection between the power pivot and remote control unit: available in 4 lenghts

Ordering code	L
TZ-CVLAGE-050	5 m
TZ-CVLAGE-100	10 m
TZ-CVLAGE-150	15 m
TZ-CVLAGE-200	20 m



Operating temperature : $5^{\circ} \div 45^{\circ} \text{ C}$
 Protection class : **IP 65**