

# LAE350

Electric Power clamps



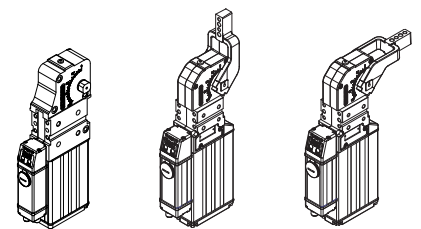
L	A	E	3	5	0	V	C	3	1
1		2			3	4	5		

<b>1 Series</b>	<b>2 Size</b>	<b>3 Arm mount position</b>
-----------------	---------------	-----------------------------

LAE = Electric Power Clamps

350 = 350 Nm  
Mounting surface interchangeable with pneumatic power clamp, Ø63 mm

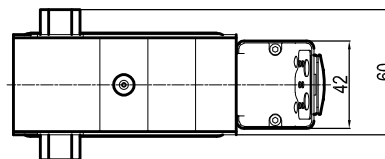
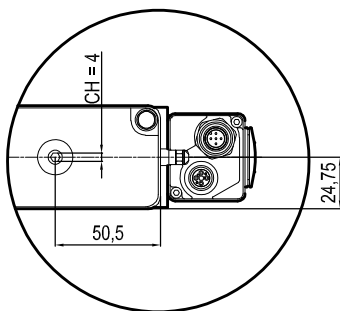
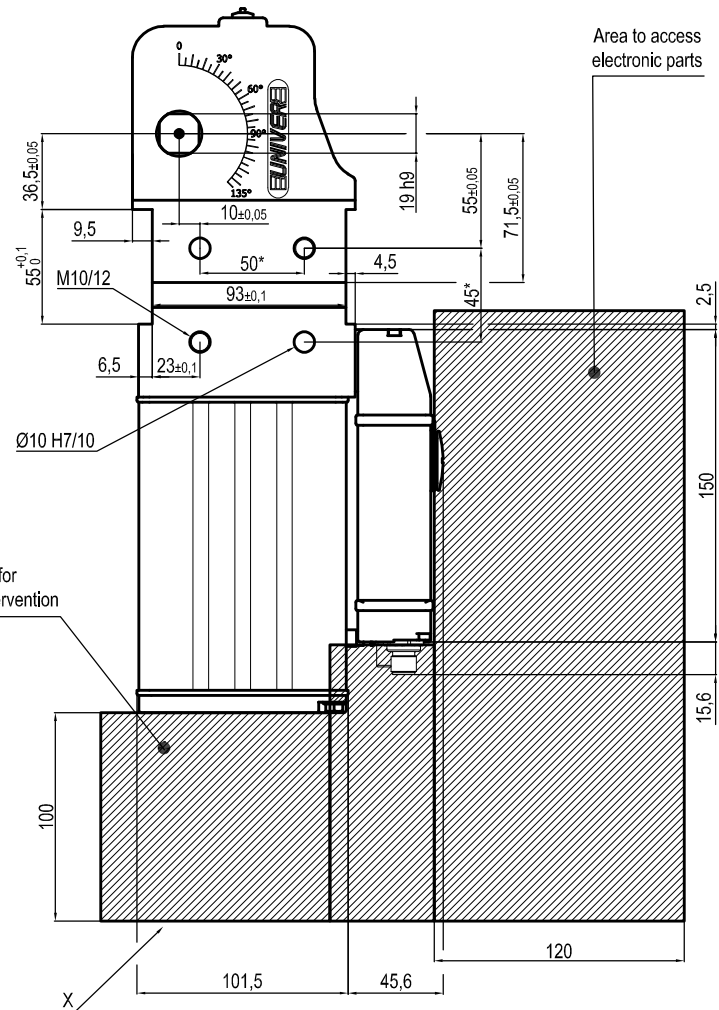
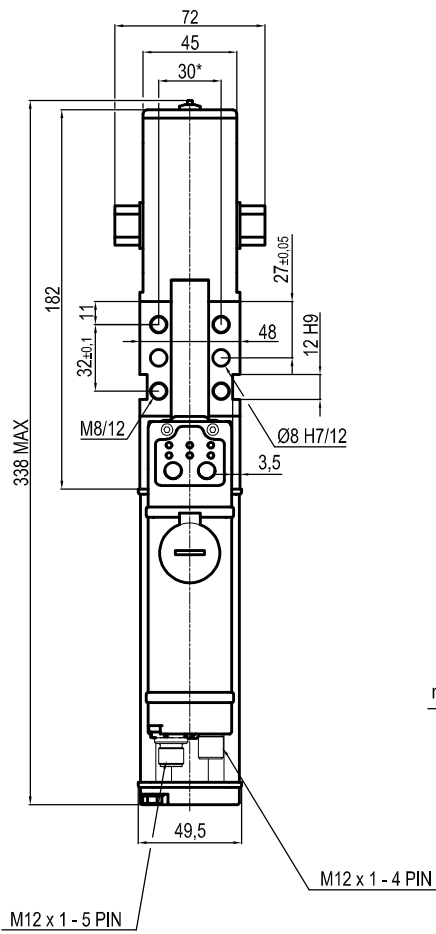
N = No arm    O = 180°    V = 90°



<b>4 Arm style</b>	<b>5 Control unit</b>
--------------------	-----------------------

C = Central , 15 mm offset  
D = Right, 15 mm offset  
S = Left, 15 mm offset  
N = No arm

31 = 1 connector M12 4 poles T CODE  
+1 connector M12 5 poles A CODE

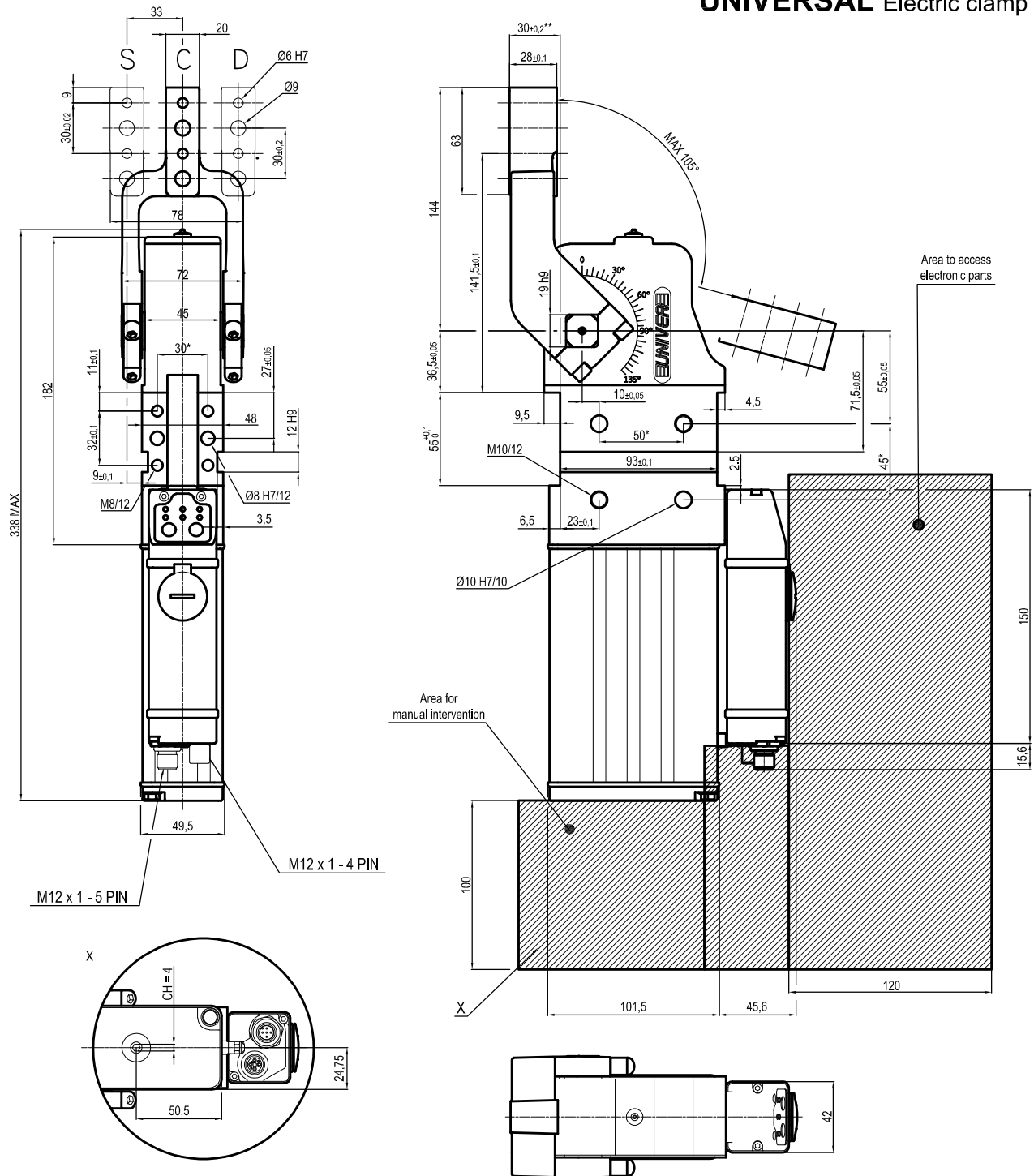


Size	Clamping moment	Closing time**	Weight
350	350 Nm	1.2 sec x 90°	4.3 Kg

Operating temperature : 5° + 40° C  
 Opening angle : -  
 IP code : IP 65

\* : TOLERANCE BETWEEN DOWELS ± 0.02, TO SCREW HOLES ± 0.1  
 \*\* : FOR MORE DETAILS SEE TECHNICAL SPECIFICATIONS

## UNIVERSAL Electric clamp



Size	Clamping moment	Closing time***	Weight (Without arm)
350	350 Nm	1.2 sec x 90°	4.3 Kg

Operating temperature : 5° + 40° C  
 Opening angle : 105° - 90° - 75° - 60° - 45° - 30° - 15°  
 Horizontal arm mount position  
 IP code : IP 65

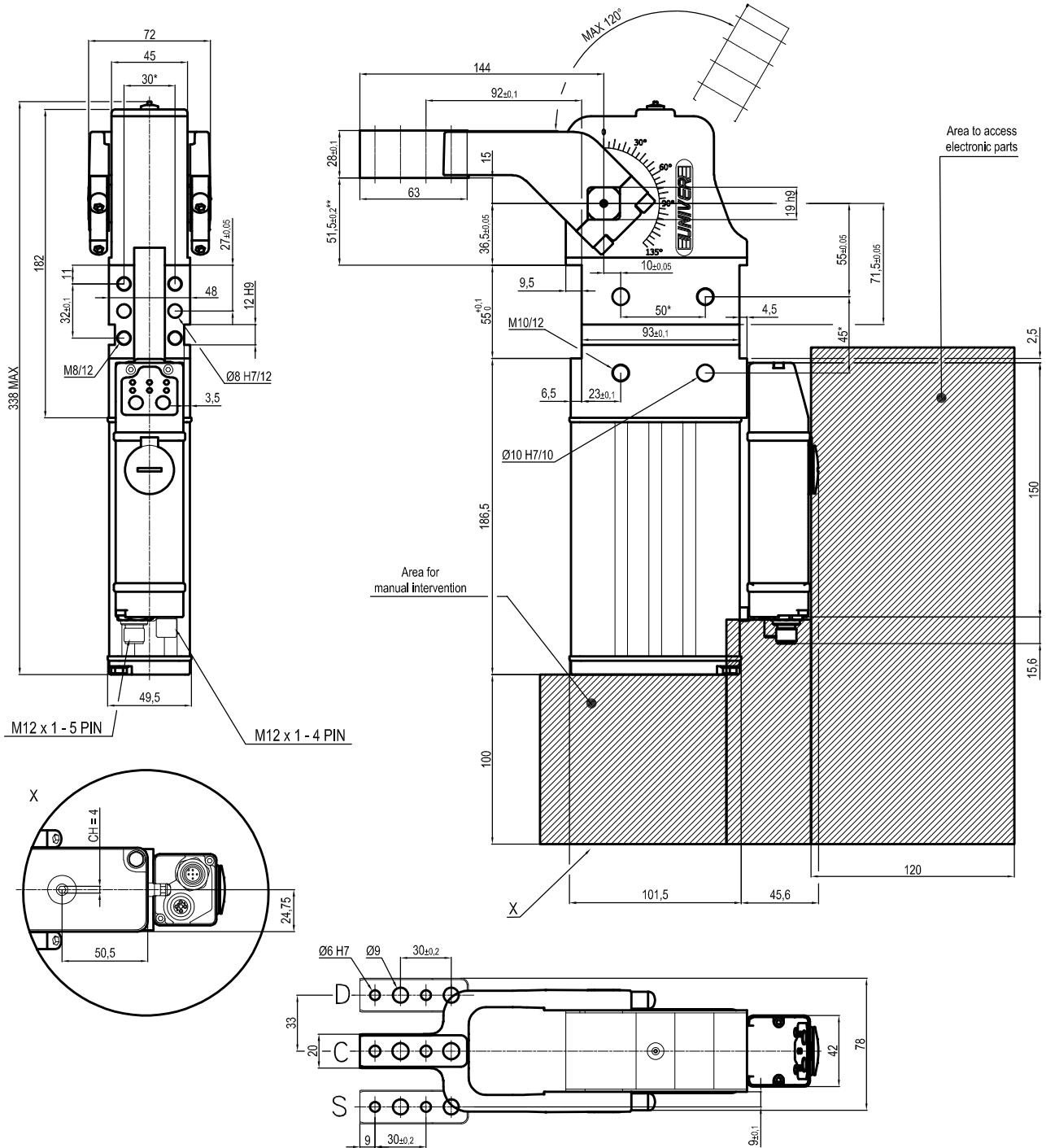
\* : TOLERANCE BETWEEN DOWELS ± 0.02, TO SCREW HOLES ± 0.1

\*\* : TOLERANCE AT 80mm FROM PIVOT POINT

\*\*\* : FOR MORE DETAILS SEE TECHNICAL SPECIFICATIONS

Subject to technical modifications without notice

## UNIVERSAL Electric clamp



Size	Clamping moment	Closing time***	Weight (Without arm)
350	350 Nm	1.2 sec x 90°	4.3 Kg

Operating temperature : 5° + 40° C  
 Opening angle : 120° - 105° - 90° - 75° - 60° - 45° - 30° - 15°  
 Vertical arm mount position  
 IP code : IP 65

\* : TOLERANCE BETWEEN DOWELS ± 0.02, TO SCREW HOLES ± 0.1

\*\* : TOLERANCE AT 80mm FROM PIVOT POINT

\*\*\* : FOR MORE DETAILS SEE TECHNICAL SPECIFICATIONS

Subject to technical modifications without notice