

# LAGP605

Pneumatic power pivot



L	A	G	P	6	0	5	V	E	0	9	0	B	C	
1	2	3	4	5	6	7	8	9						

<b>1 Series</b>	<b>2 Version</b>	<b>3 Size</b>
-----------------	------------------	---------------

**LAG** = Power pivot with predeterminate pivot rotation angles

**P** = Pneumatic-standard

**605** = Ø 200 mm cylinder

<b>4 Table position</b>	<b>5 Sensor</b>	<b>6 Pivot rotation angles</b>
-------------------------	-----------------	--------------------------------

**V** = Vertical 180°  
**O** = Horizontal 90°  
**Z** = Vertical, mirror of V position  
 Max opening angle 120°  
**P** = Horizontal, mirror of O position  
 Max opening angle 60°

**E** = Electronic sensor with M12 swivel connector  
**A** = Electronic sensor with M12 swivel connector + electronic sensor for brake condition detection

**120** = 120°  
**090** = 90°  
**060** = 60°  
**045** = 45°

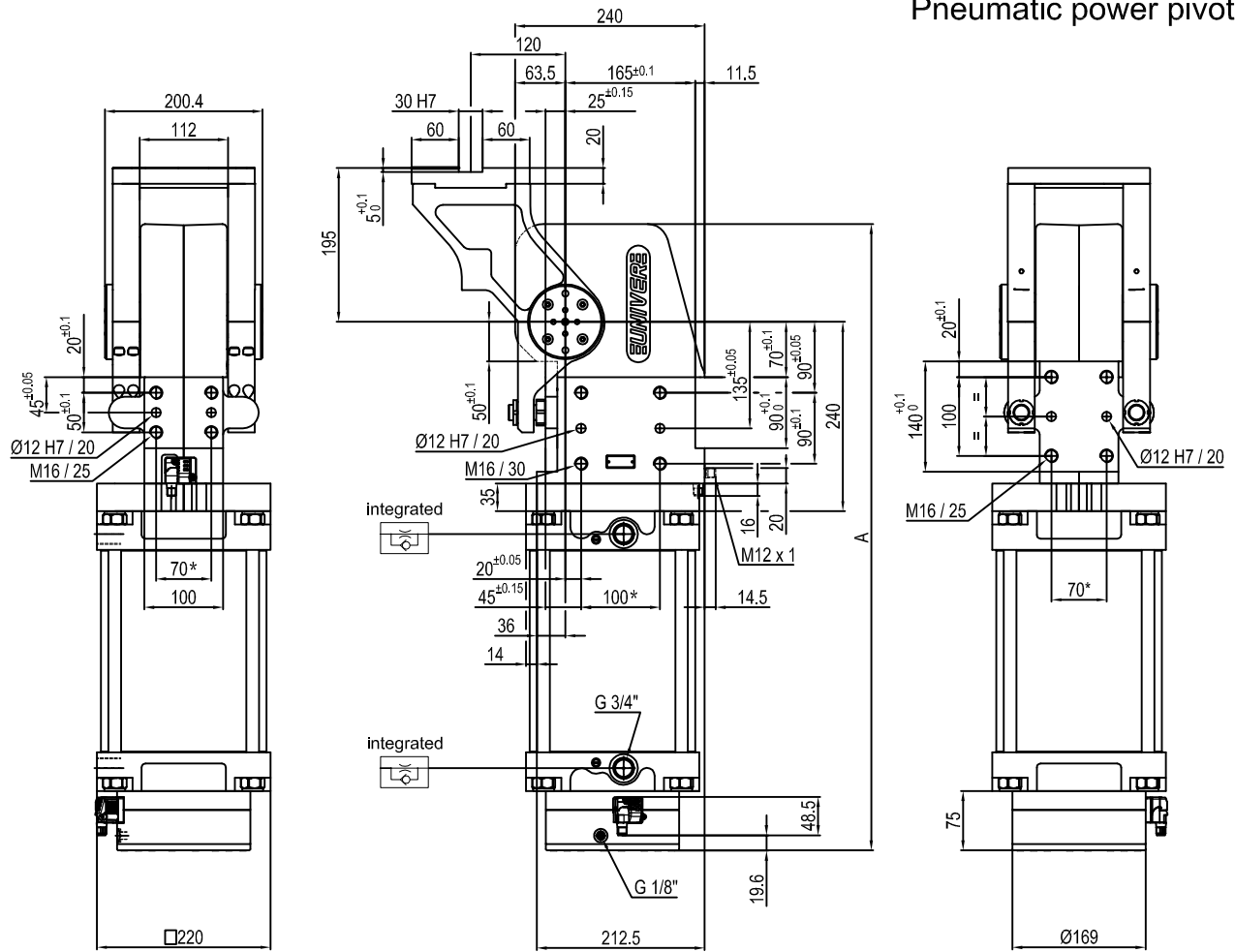
<b>7 Brake system</b>	<b>8 Valve</b>	<b>9 Connections</b>
-----------------------	----------------	----------------------

**B** = With brake  
**W** = Without brake

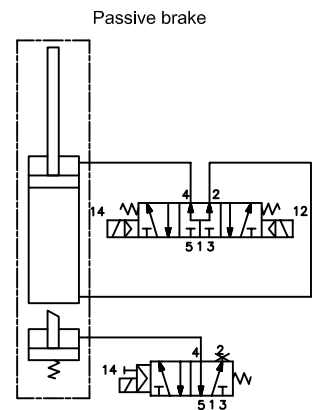
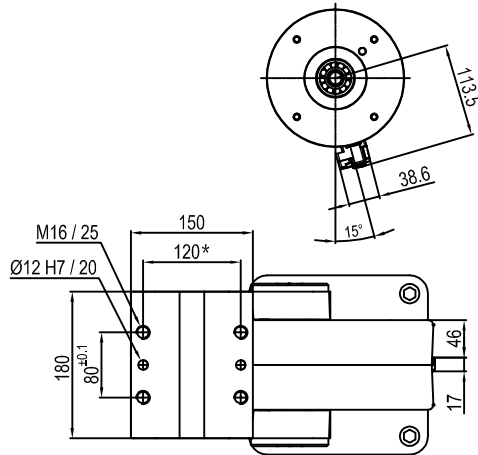
**C** = Integrated valve for cycle time optimization

**\_** = If not specified, on the left side (sensor left side)  
**D** = Right side (sensor right side)  
**F** = Front side (in front of the sensor)  
**P** = Rear side (same side as sensor)

## Pneumatic power pivot



Pivot rotation in degrees	A
45°	702
60°	718
90°	755
120°	794

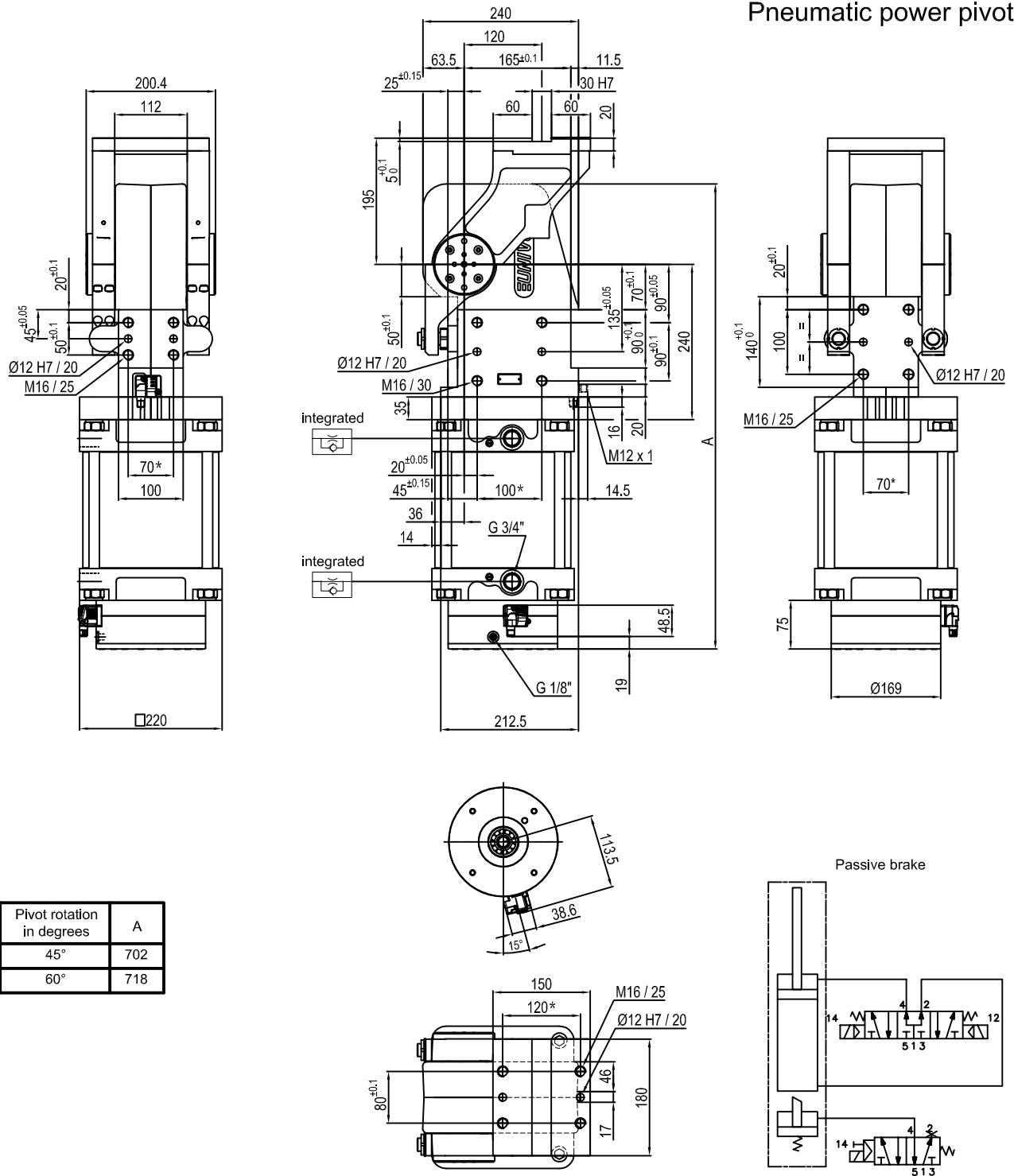


Size	Holding moment	Max. torque at the rotary table 0,55 MPa	Weight
605	8000 Nm	605 Nm	60.1 Kg

Min./Max. operating pressure: 0,4 / 0,6 MPa  
 Operating temperature: 5° + 45° C  
 Predeterminate pivot rotation in degrees: 45° - 60° - 90° - 120°  
 Electronic sensor with M12 swivel connector that can be orientated at 0° or 90°  
 Supply voltage: 10÷30 Vdc  
 IP code: IP 65

\* : TOLERANCE BETWEEN DOWEL HOLES ± 0.02, TO SCREW HOLES ± 0.1

## Pneumatic power pivot



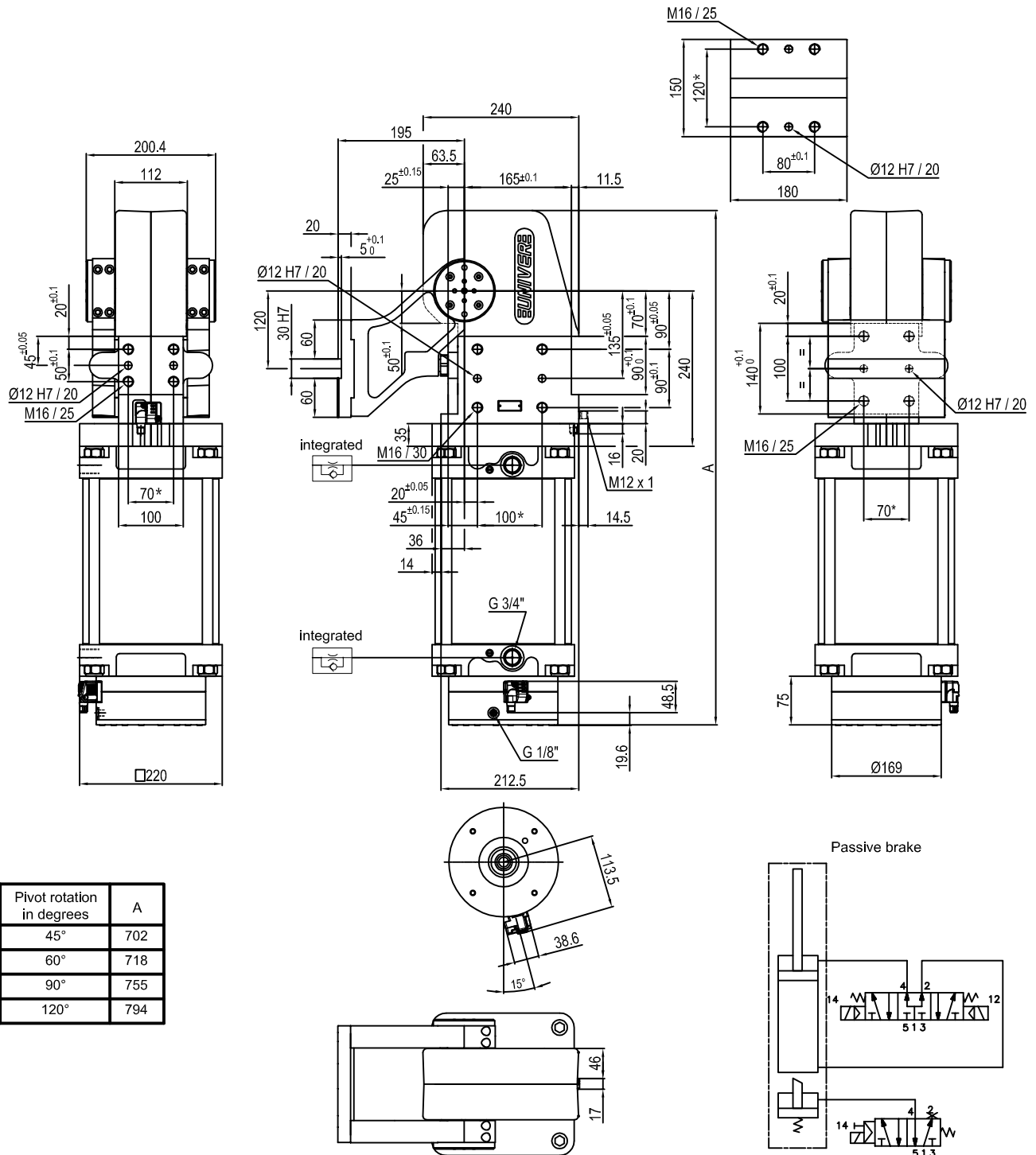
Pivot rotation in degrees	A
45°	702
60°	718

Size	Holding moment	Max. torque at the rotary table 0,55 MPa	Weight
605	8000 Nm	605 Nm	58.5 Kg

Min./Max. operating pressure: **0,4 / 0,6 MPa**  
 Operating temperature: **5° + 45° C**  
 Predetermine pivot rotation in degrees: **45° - 60°**  
 Electronic sensor with M12 swivel connector that can be orientated at 0° or 90°  
 Supply voltage: 10÷30 Vdc  
 IP code: **IP 65**

\* : TOLERANCE BETWEEN DOWEL HOLES ± 0.02, TO SCREW HOLES ± 0.1

## Pneumatic power pivot



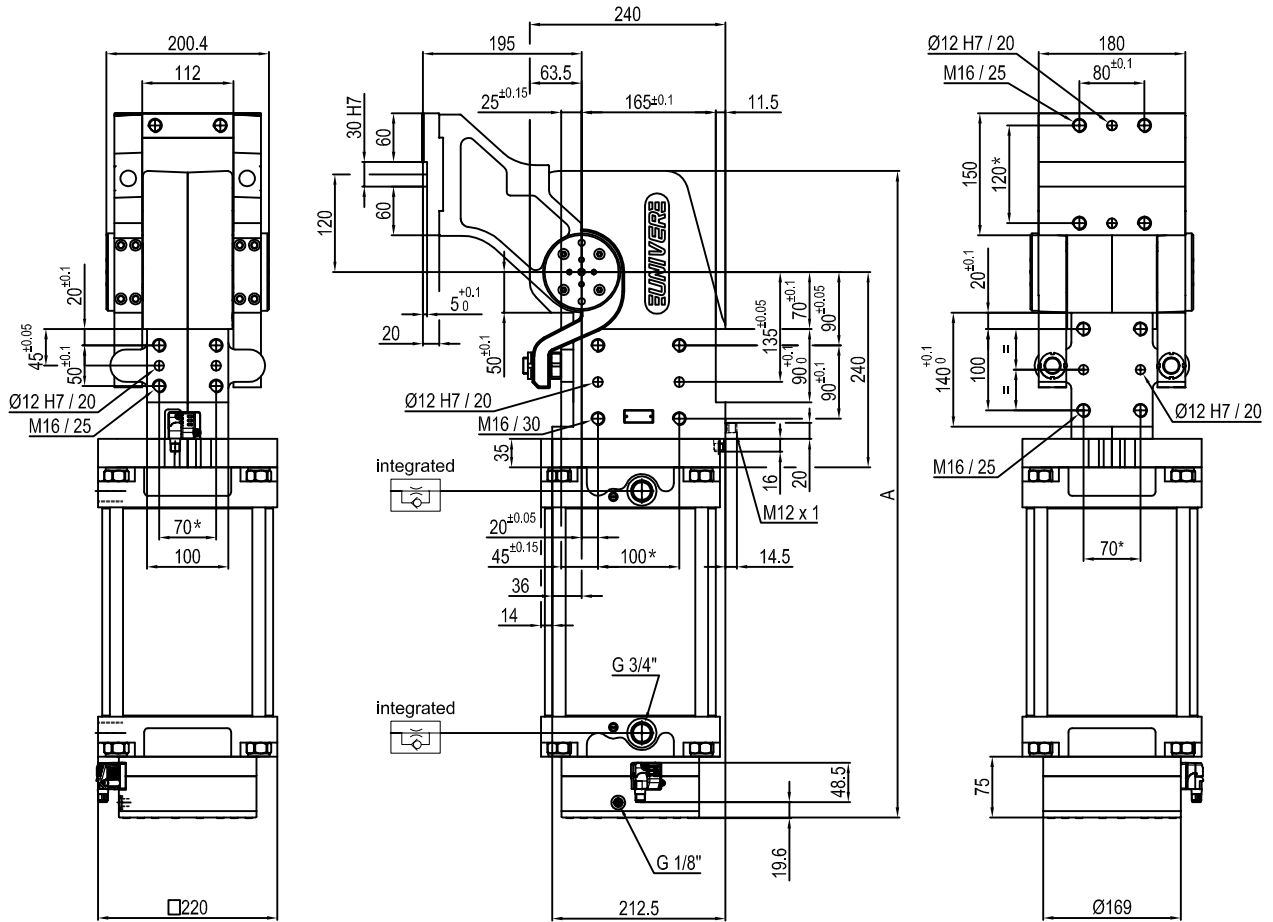
Pivot rotation in degrees	A
45°	702
60°	718
90°	755
120°	794

Size	Holding moment	Max. torque at the rotary table 0,55 MPa	Weight
605	8000 Nm	605 Nm	60.1 Kg

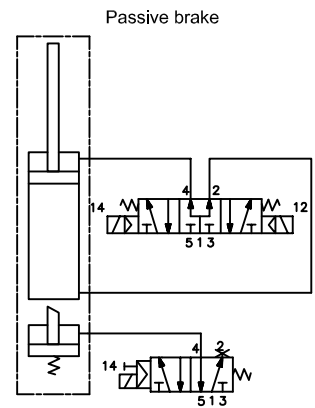
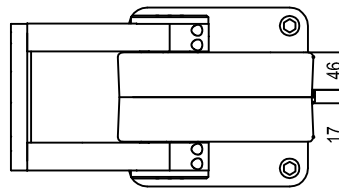
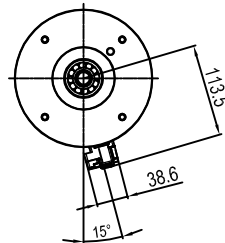
Min./Max. operating pressure: **0,4 / 0,6 MPa**  
 Operating temperature: **5° + 45° C**  
 Predetermine pivot rotation in degrees: **45° - 60° - 90° - 120°**  
 Electronic sensor with M12 swivel connector that can be orientated at 0° or 90°  
 Supply voltage: 10+30 Vdc  
 IP code: **IP 65**

\* : TOLERANCE BETWEEN DOWEL HOLES ± 0.02, TO SCREW HOLES ± 0.1

## Pneumatic power pivot



Pivot rotation in degrees	A
45°	702
60°	718
90°	755
120°	794

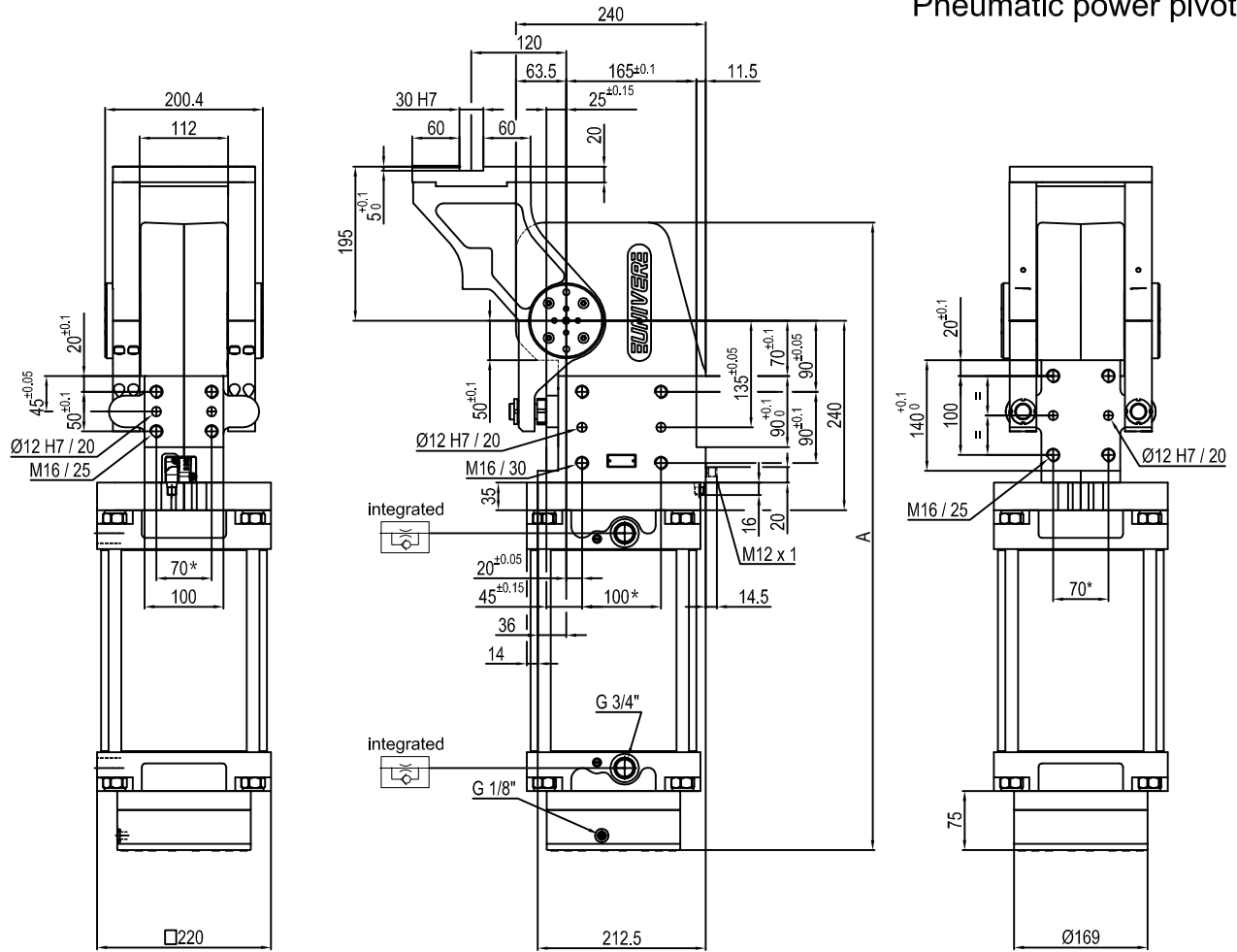


Size	Holding moment	Max. torque at the rotary table 0,55 MPa	Weight
605	8000 Nm	605 Nm	60.1 Kg

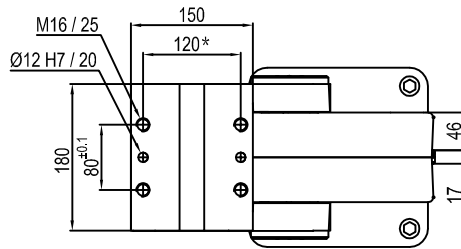
Min./Max. operating pressure: **0,4 / 0,6 MPa**  
 Operating temperature: **5° + 45° C**  
 Predetermine pivot rotation in degrees: **45° - 60° - 90° - 120°**  
 Electronic sensor with M12 swivel connector that can be orientated at 0° or 90°  
 Supply voltage: 10+30 Vdc  
 IP code: **IP 65**

\* : TOLERANCE BETWEEN DOWEL HOLES ± 0.02, TO SCREW HOLES ± 0.1

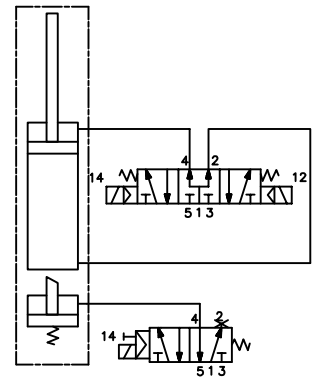
## Pneumatic power pivot



Pivot rotation in degrees	A
45°	702
60°	718
90°	755
120°	794



### Passive brake



Size	Holding moment	Max. torque at the rotary table 0,55 MPa	Weight
605	8000 Nm	605 Nm	60.1 Kg

Min./Max. operating pressure: 0,4 / 0,6 MPa

Operating temperature: 5° + 45° C

Predeterminate pivot rotation in degrees: 45° - 60° - 90° - 120°

Electronic sensor with M12 swivel connector that can be orientated at 0° or 90°

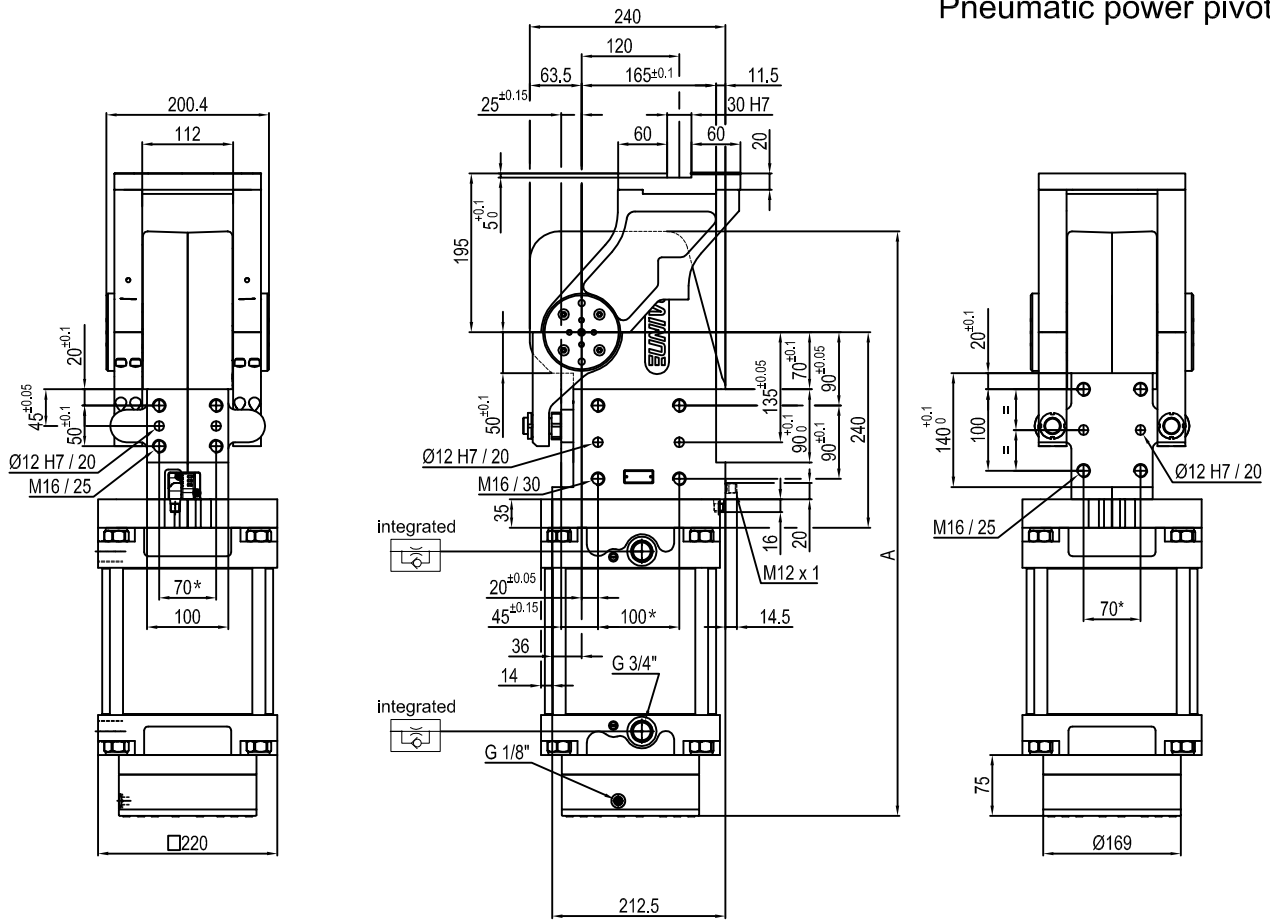
Supply voltage: 10÷30 Vdc

IP code: IP 65

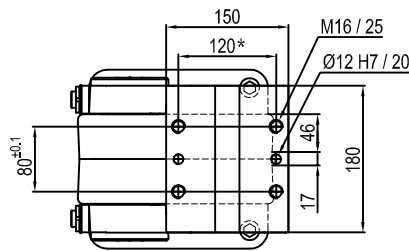
\* : TOLERANCE BETWEEN DOWEL HOLES ± 0.02, TO SCREW HOLES ± 0.1

Subject to technical modifications without notice.

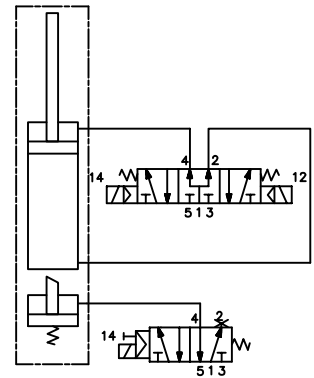
## Pneumatic power pivot



Pivot rotation in degrees	A
45°	702
60°	718



### Passive brake



Size	Holding moment	Max. torque at the rotary table 0,55 MPa	Weight
605	8000 Nm	605 Nm	60.1 Kg

Min./Max. operating pressure: 0,4 / 0,6 MPa

Operating temperature: 5° + 45° C

Predetermine pivot rotation in degrees: 45° - 60°

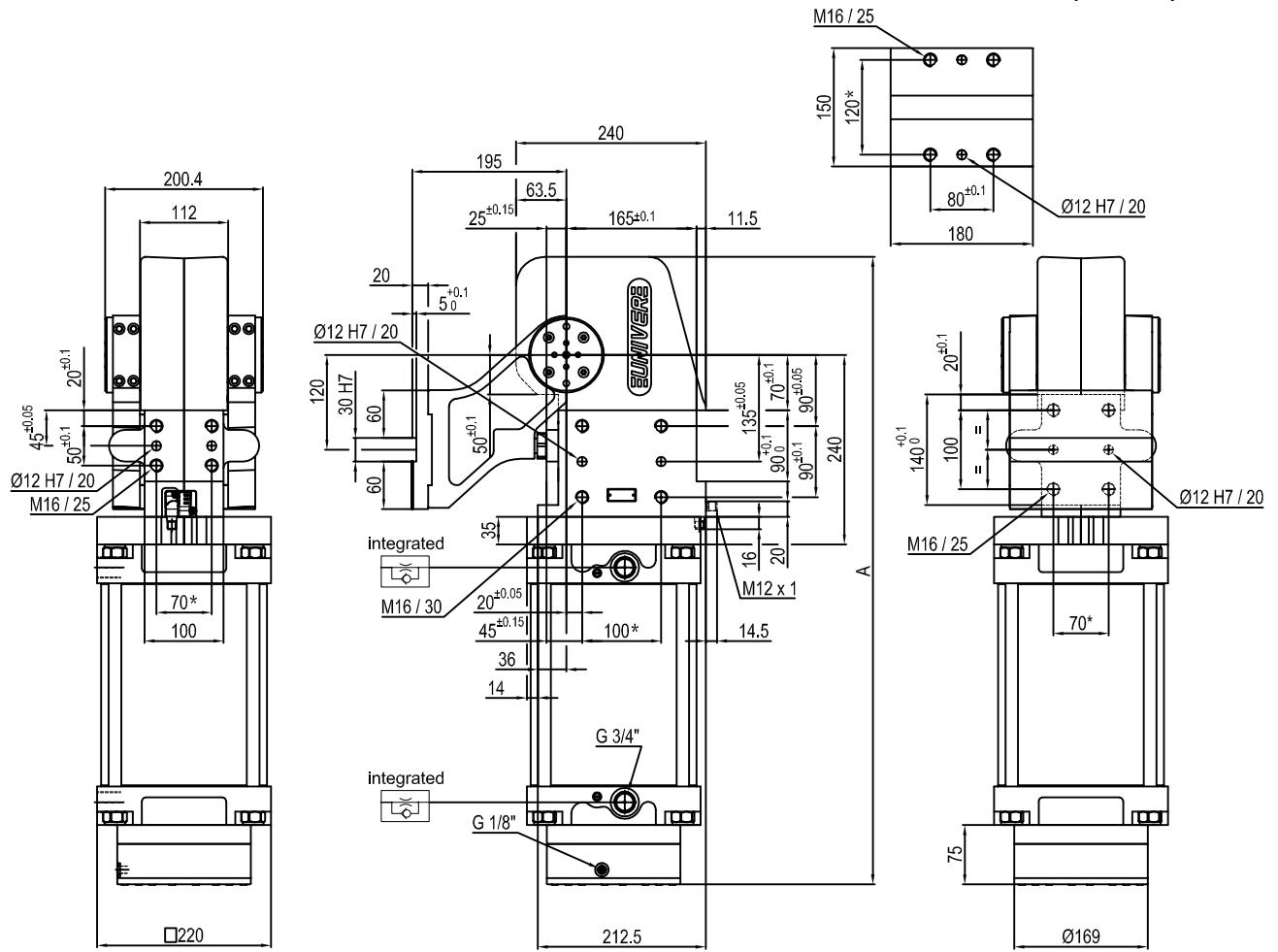
Electronic sensor with M12 swivel connector that can be orientated at 0° or 90°

Supply voltage: 10÷30 Vdc

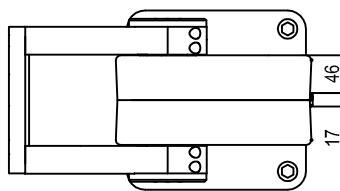
IP code: IP 65

\* : TOLERANCE BETWEEN DOWEL HOLES ± 0.02, TO SCREW HOLES ± 0.1

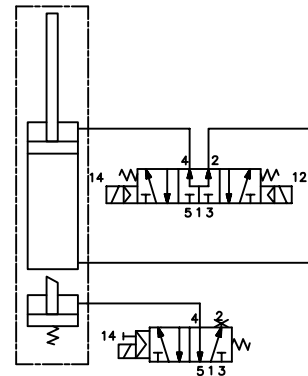
## Pneumatic power pivot



Pivot rotation in degrees	A
45°	702
60°	718
90°	755
120°	794



## Passive brake



Size	Holding moment	Max. torque at the rotary table 0,55 MPa	Weight
605	8000 Nm	605 Nm	60.1 Kg

Min./Max. operating pressure: 0,4 / 0,6 MPa

Operating temperature: 5° + 45° C

Predetermine pivot rotation in degrees: 45° - 60° - 90° - 120°

Electronic sensor with M12 swivel connector that can be orientated at 0° or 90°

Supply voltage: 10÷30 Vdc

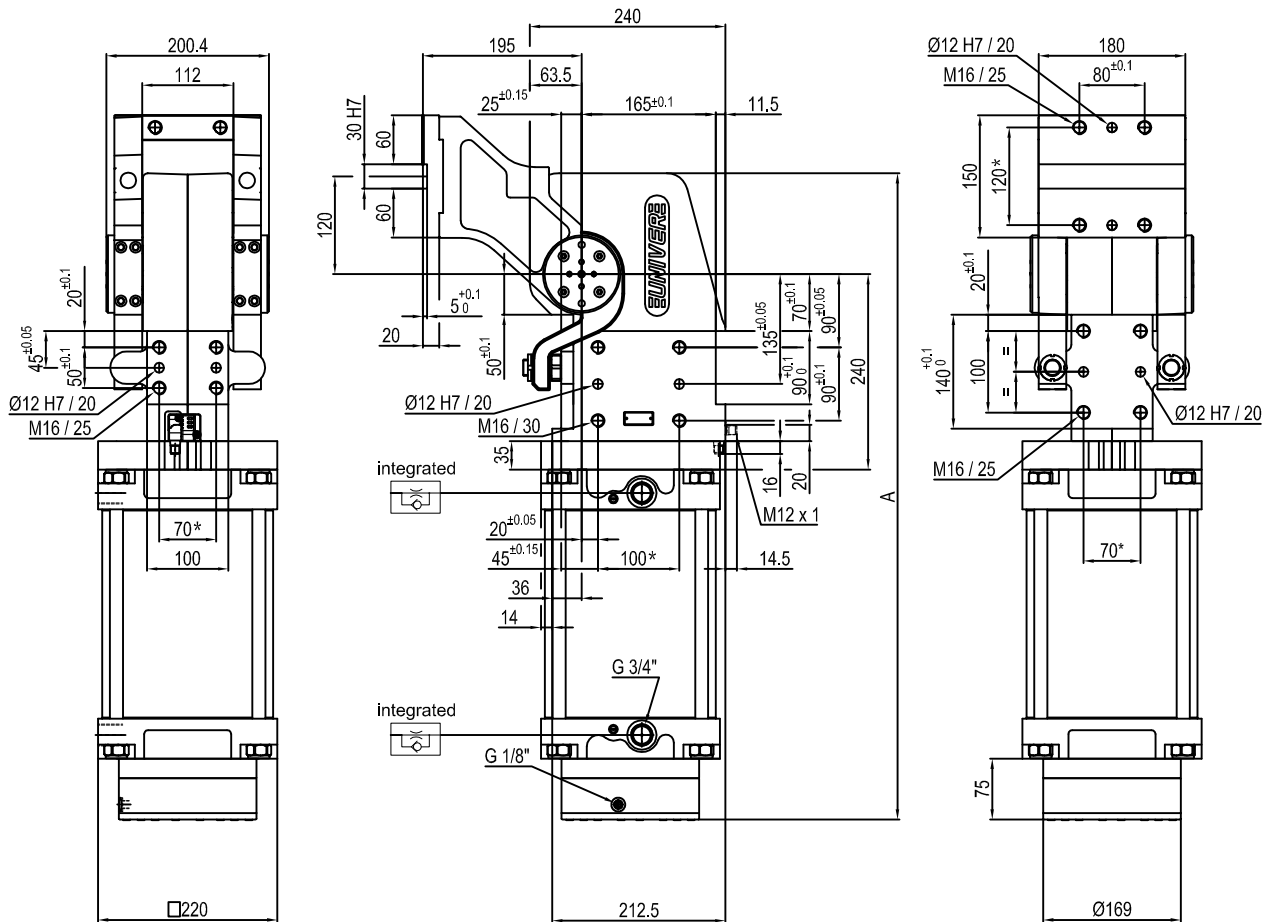
IP code: IP 65

\* : TOLERANCE BETWEEN DOWEL HOLES ± 0.02, TO SCREW HOLES ± 0.1

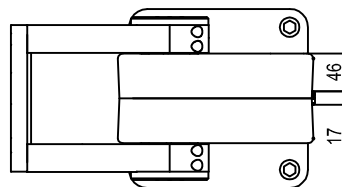
Subject to technical modifications without notice.



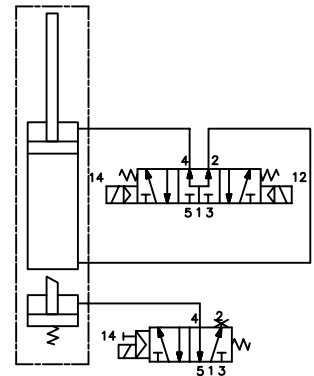
## Pneumatic power pivot



Pivot rotation in degrees	A
45°	702
60°	718
90°	755
120°	794



## Passive brake



Size	Holding moment	Max. torque at the rotary table 0,55 MPa	Weight
605	8000 Nm	605 Nm	60.1 Kg

Min./Max. operating pressure: **0,4 / 0,6 MPa**

Operating temperature: **5° + 45° C**

Predetermine pivot rotation in degrees: **45° - 60° - 90° - 120°**

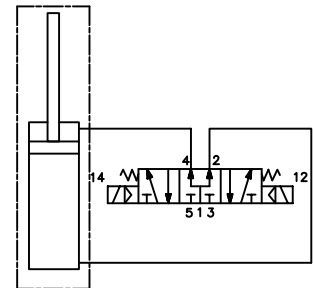
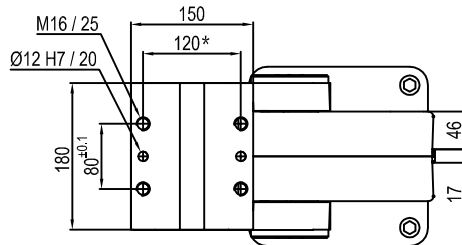
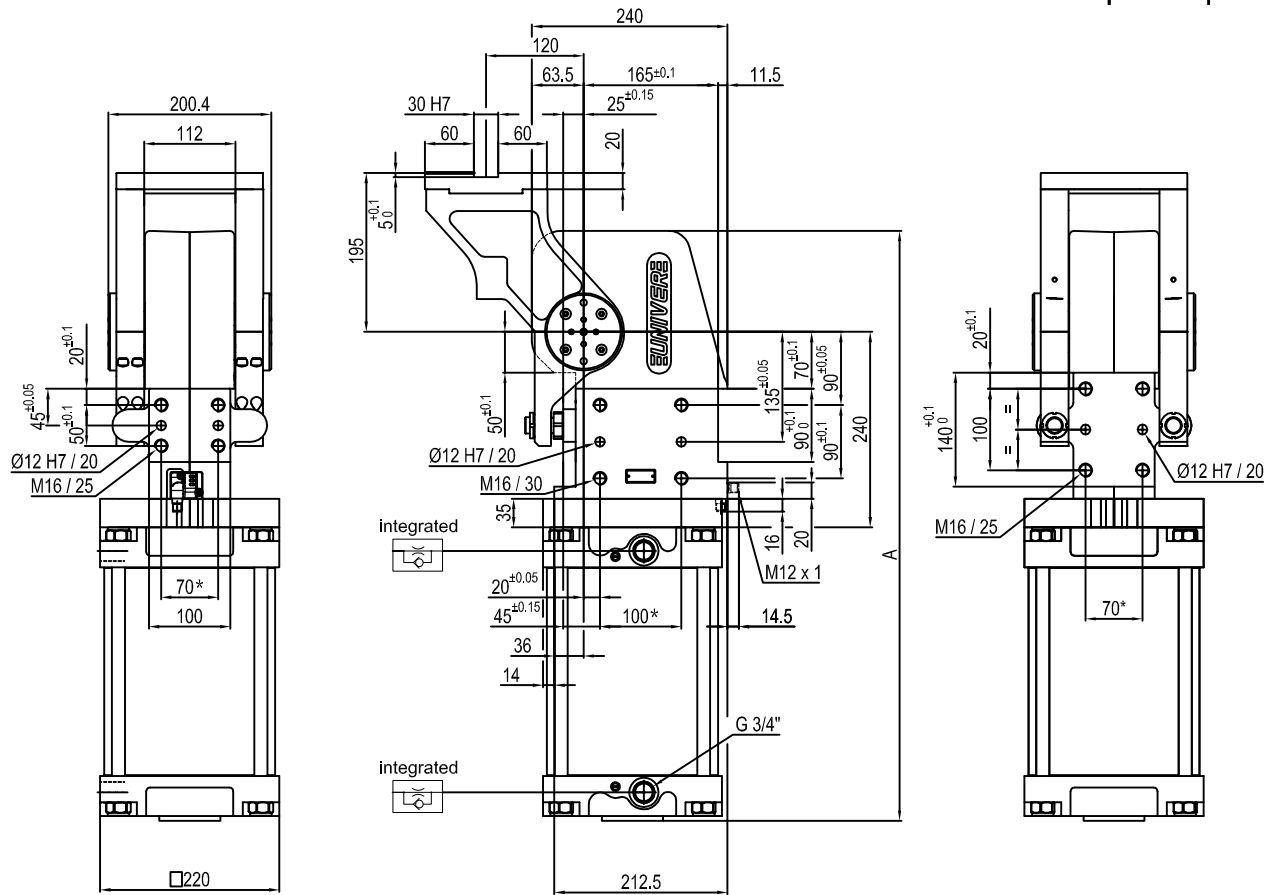
Electronic sensor with M12 swivel connector that can be orientated at 0° or 90°

Supply voltage: 10÷30 Vdc

IP code: **IP 65**

\* : TOLERANCE BETWEEN DOWEL HOLES ± 0.02, TO SCREW HOLES ± 0.1

Subject to technical modifications without notice.



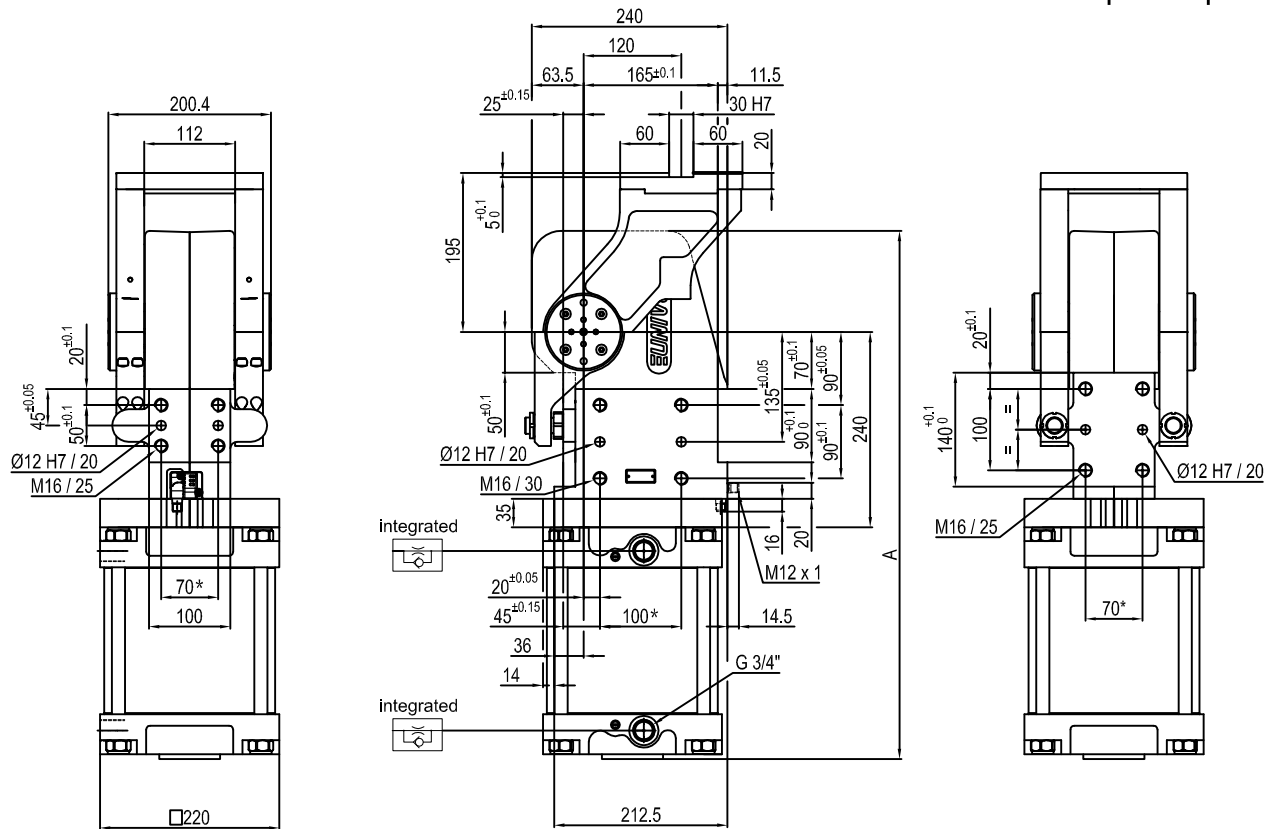
Pivot rotation in degrees	A
45°	632.5
60°	648.5
90°	685.5
120°	724.5

Size	Holding moment	Max. torque at the rotary table 0,55 MPa	Weight
605	8000 Nm	605 Nm	54 Kg

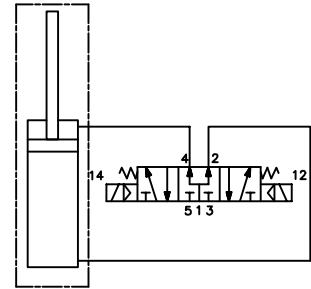
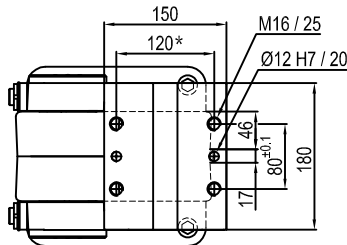
Min./Max. operating pressure: **0,4 / 0,6 MPa**  
 Operating temperature: **5° + 45° C**  
 Predeterminate pivot rotation in degrees: **45° - 60° - 90° - 120°**  
 Electronic sensor with M12 swivel connector that can be orientated at 0° or 90°  
 Supply voltage: 10÷30 Vdc  
 IP code: **IP 65**

\* : TOLERANCE BETWEEN DOWEL HOLES ± 0.02, TO SCREW HOLES ± 0.1

## Pneumatic power pivot



Pivot rotation in degrees	A
45°	632.5
60°	648.5



Size	Holding moment	Max. torque at the rotary table 0,55 MPa	Weight
605	8000 Nm	605 Nm	54 Kg

Min./Max. operating pressure: **0,4 / 0,6 MPa**

Operating temperature: **5° ± 45° C**

Predeterminate pivot rotation in degrees: **45° - 60°**

Electronic sensor with M12 swivel connector that can be orientated at 0° or 90°

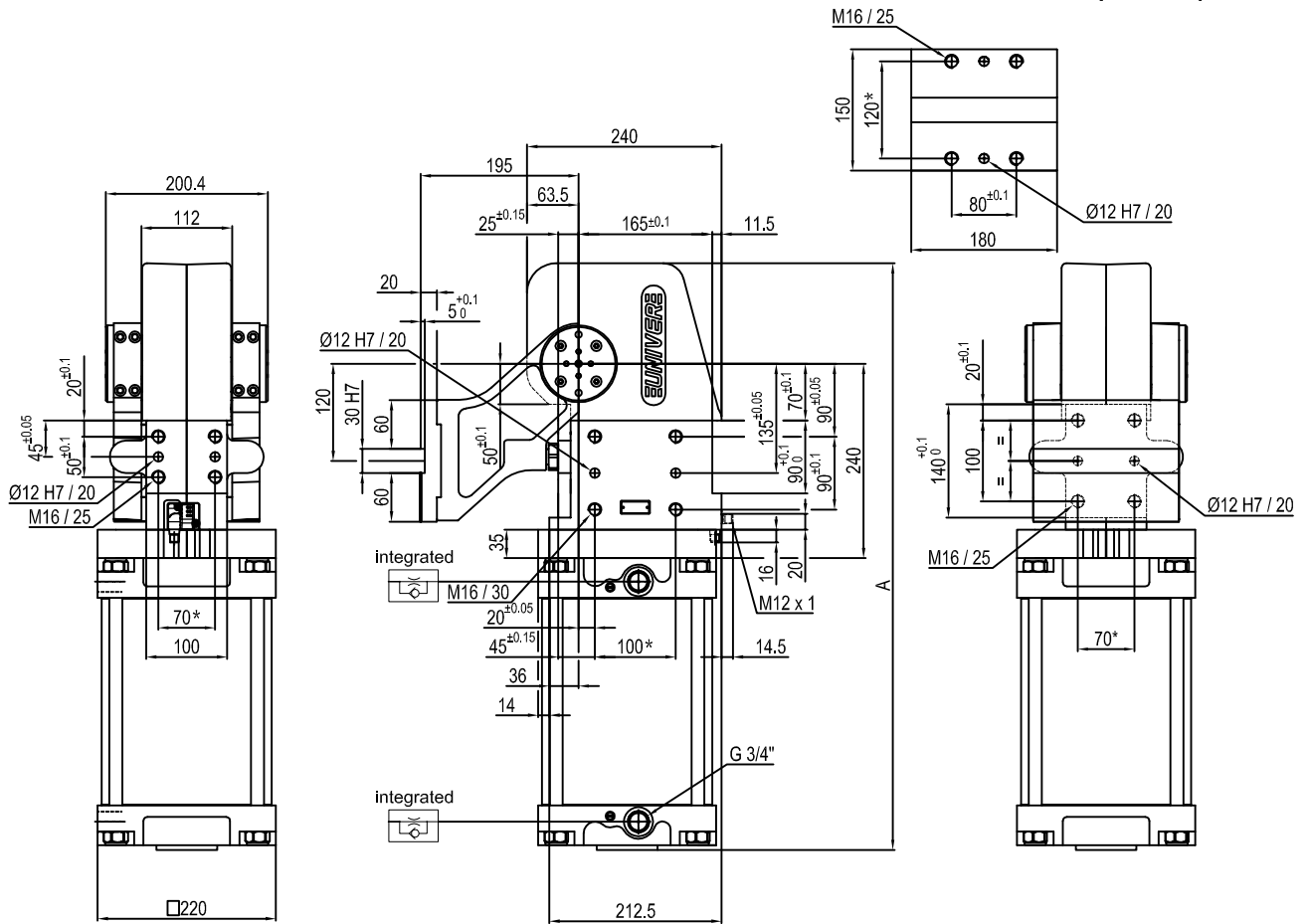
Supply voltage: 10÷30 Vdc

IP code: **IP 65**

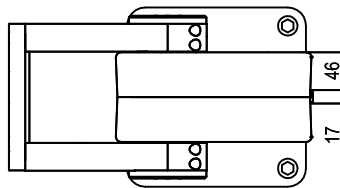
\* : TOLERANCE BETWEEN DOWEL HOLES ± 0.02, TO SCREW HOLES ± 0.1

Subject to technical modifications without notice.

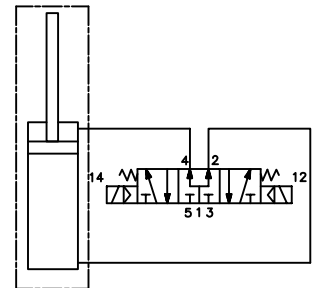
## Pneumatic power pivot



Pivot rotation in degrees	A
45°	632.5
60°	648.5
90°	685.5
120°	724.5



## Passive brake



Size	Holding moment	Max. torque at the rotary table 0,55 MPa	Weight
605	8000 Nm	605 Nm	54 Kg

Min./Max. operating pressure: **0,4 / 0,6 MPa**

Operating temperature: **5° + 45° C**

Predetermine pivot rotation in degrees: **45° - 60° - 90° - 120°**

Electronic sensor with M12 swivel connector that can be orientated at 0° or 90°

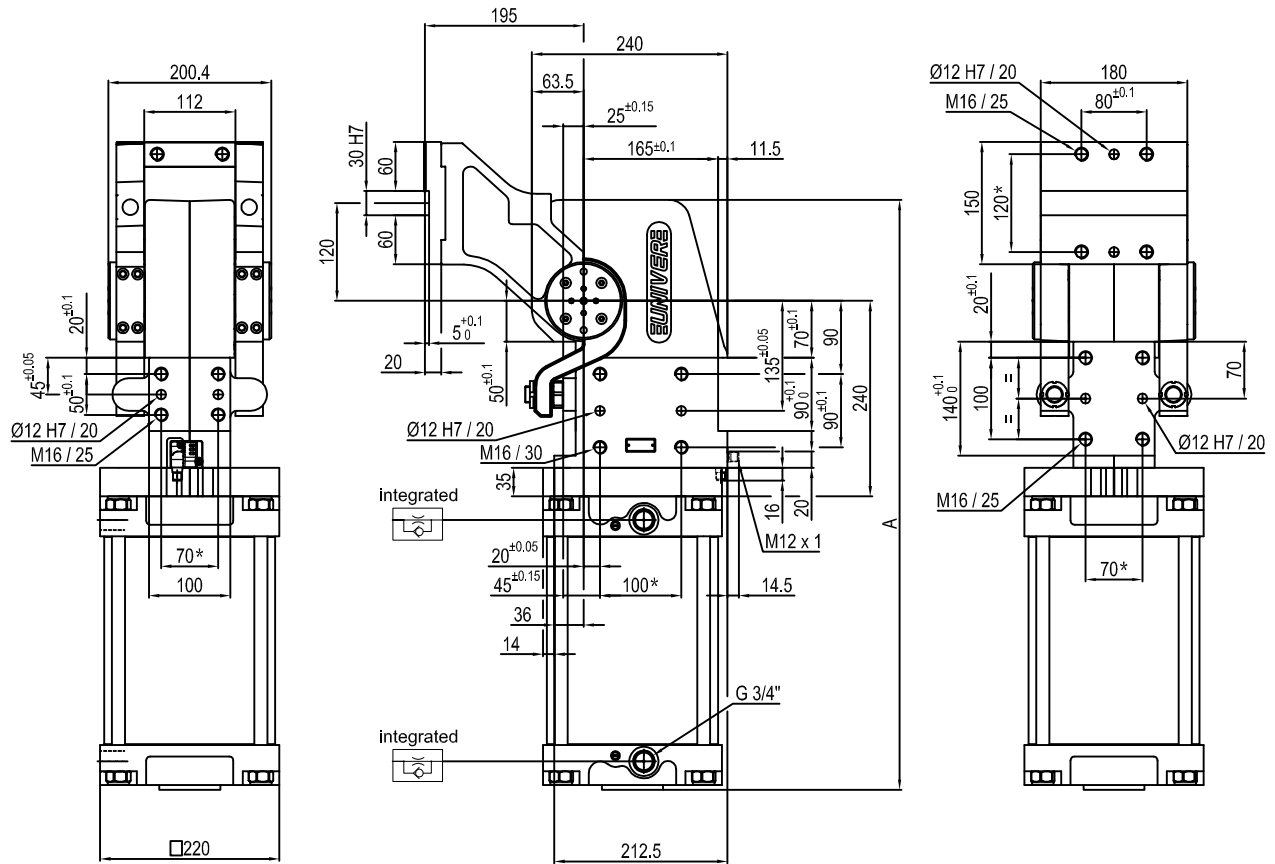
Supply voltage: 10÷30 Vdc

IP code: **IP 65**

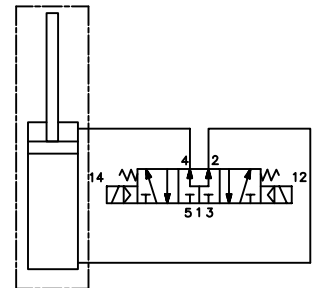
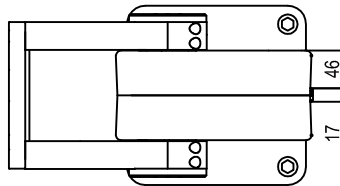
\* : TOLERANCE BETWEEN DOWEL HOLES ± 0.02, TO SCREW HOLES ± 0.1

Subject to technical modifications without notice.

## Pneumatic power pivot



Pivot rotation in degrees	A
45°	632.5
60°	648.5
90°	685.5
120°	724.5



Size	Holding moment	Max. torque at the rotary table 0,55 MPa	Weight
605	8000 Nm	605 Nm	54 Kg

Min./Max. operating pressure: **0,4 / 0,6 MPa**

Operating temperature: **5° + 45° C**

Predetermine pivot rotation in degrees: **45° - 60° - 90° - 120°**

Electronic sensor with M12 swivel connector that can be orientated at 0° or 90°

Supply voltage: 10÷30 Vdc

IP code: **IP 65**

\* : TOLERANCE BETWEEN DOWEL HOLES ± 0.02, TO SCREW HOLES ± 0.1

Subject to technical modifications without notice.