

AE

Light series valves for ISO 5599/1 sub-base mounting

Light series: technopolymer valve body with metall cover
Interchangeability: ISO 5599/1 sub-base mounting (size 1 and 2)
Reliability: the mixed internal system (poppet-spool) has been used and appreciated for decades
Performance: high flow rate (size 1 = 1480 NI/min - size 2 = 2300 NI/min), fast commutation, functioning without lubrication



TECHNICAL CHARACTERISTICS

Ambient temperature	-10 ÷ +50 °C	
Fluid temperature	+50 °C Max	
Fluid	filtered air 50 µm, lubricated or not	
Commutation system	mixed system	
Ways/Positions	5/2	
Pressure	max 10 bar	
Control	indirect electro - pneumatic and pneumatic	
Return	pneumomechanical spring	
Connections	ISO 5599/1 interface (BF series sub-base)	
	size 1	size 2
Nominal Ø (mm)	8	10
Nominal flow rate (NI/min)	1480	2300

CONSTRUCTIVE FEATURES

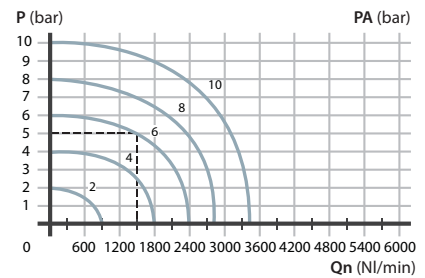
Valve body	acetalic resin
Seals	nitrilic rubber - polyurethane
Spool	alluminium
Cover	zamak

ELECTRIC FEATURES

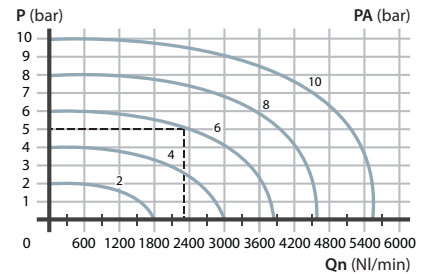
Electropilot	U1 - AA series
Coil	DA series
Power consumption	3,5 W (DC) - 5 VA (AC)
Voltage	12 V DC - 24 V DC - 24 V AC - 110 V AC - 230 V AC
Connector	AM-5110
Manual override	2 position screw

Flow rate characteristics

>> ISO 1



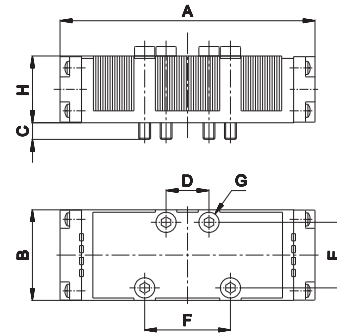
>> ISO 2



P = Working pressure
 PA = Supply pressure
 Qn = Nominal flow rate

2
Standardized valves

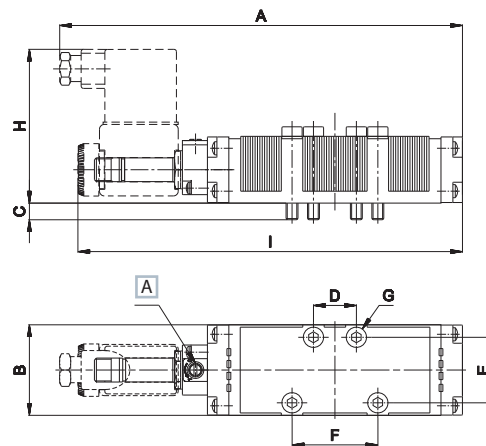
Single/double pneumatic impulse



	A	B	C	D	E	F	G	H
U1	108	38	7	18	28	36	M5x35	28
U2	120	50	7	24	38	48	M6x35	28

	Symbol	Control	Return	Pressure bar	Times (ms)		Size	Weight Kg	Part no.
					En.	De-en.			
5/2		pneumatic amplified	pneumomechanical spring	2÷10 2,3÷10	5	10	1	0,17	AE-1009
					8	10	2		
5/2		pneumatic amplified	pneumatic amplified	1÷10 1÷10	3	3	1	0,17	AE-1010
					3	3	2		

Single electric impulse

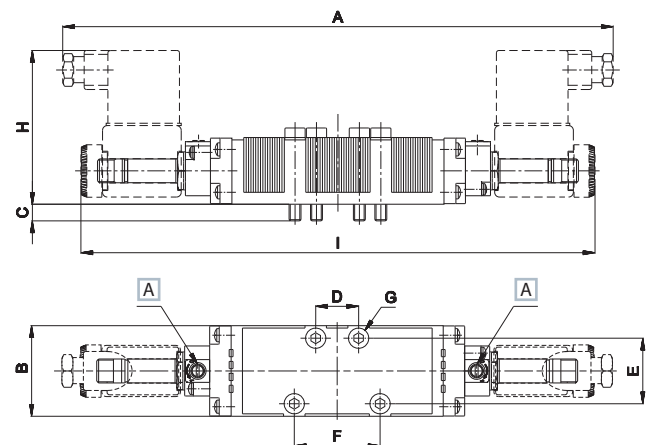


	A	B	C	D	E	F	G	H	I
U1	171	38	7	18	28	36	M5x35	64	161
U2	183	50	7	24	38	48	M6x35	64	173

A Manual override

	Symbol	Control	Return	Pressure bar	Times (ms)		Size	Weight Kg	Part no.
					En.	De-en.			
5/2		electric amplified	pneumomechanical spring	2÷10 2,3÷10	18	24	1	0,25	AE-1000
					22	18	2		

Double electric impulse



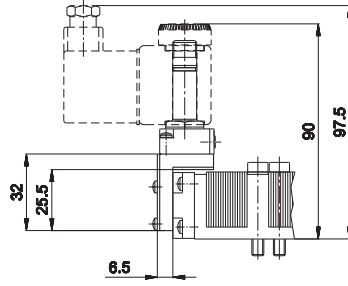
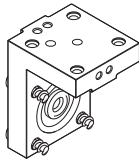
	A	B	C	D	E	F	G	H	I
U1	234	38	7	18	28	36	M5x35	64	208
U2	246	50	7	24	38	48	M6x35	64	220

A Manual override

	Symbol	Control	Return	Pressure bar	Times (ms)		Size	Weight Kg	Part no.
					En.	De-en.			
5/2		electric amplified	electric amplified	1÷10 1÷10	16	16	1	0,33	AE-1003
					24	24	2		

Electrovalves are supplied without coil, connector and locking ring

AM-5151



"H" option solenoid square
weight: 0,035 Kg

>> ISO 1 - ISO 2 sub-base



ISO 1 - single sub-base, side connections
BF-1060
G1/8 in-line connections
BF-1061
G1/4 in-line connections



ISO 1 - single modular or Manifold subbase, dorsal connections with separate exhausts
BF-1062
G1/8 dorsal connections
BF-1063
G1/4 dorsal connections



ISO 1 - Manifold universal system sub-base, dorsal and side connections conveyed exhausts
BF-1071
G1/8 dorsal and side connections
BF-1071S
G1/8 side pneumatic impulse
BF-1072
G1/4 dorsal and side connections
BF-1072S
G1/4 side pneumatic impulse



ISO 1 - Manifold universal system inlet plate
G3/8 in-line connections
BF-1065
G3/2 on top connections
BF-1066
G3/2 dorsal connections
BF-1068
G3/2 only in-line connections



ISO 1 - Manifold universal system diaphragm
BF-1070



ISO 2 - single sub-base, side connections
BF-1150
G1/4 in-line connections
BF-1151
G3/8 in-line connections



ISO 2 - single sub-base, dorsal connections
BF-1152
G1/4 dorsal connections
BF-1153
G3/8 dorsal connections



ISO 2 - Manifold universal system sub-base, dorsal and side connections conveyed exhausts
BF-1160
G1/4 dorsal and side connections
BF-1161
G3/8 dorsal and side connections



ISO 2 - Manifold universal system inlet plate
BF-1154
G1/2 in-line connections
BF-1155
G3/2 dorsal connections



ISO 2 - Manifold universal system diaphragm
BF-1162

