



RM-RS \varnothing 80 - 100

Compact cylinders ISO 21287

- └ Further development \varnothing 80-100 mm
- └ Pneumatic cushioning standard
- └ Magnetic version standard
- └ Standard version according to ISO 21287
- └ **STRONG** version (interaxes, centering diameters and rods according to ISO 15552)

RM-RS Ø 80 - 100

Compact cylinders according to ISO 21287 (RM Series) STRONG version oversized guides and piston rod (RS series)

- Cylinders with compact overall dimensions Ø 80 - 100 mm
- According to ISO 21287 (RM)
- Adjustable pneumatic cushioning
- Single and double acting, through rod,

This product, the first one realized with adjustable pneumatic cushioning without change of dimensions in comparison with an equivalent cylinder without cushioning, allows a considerably higher speed and reduces noise level. STRONG series RS, oversize guides and rods for long strokes and heavy duty application.



TECHNICAL CHARACTERISTICS

Ambient temperature	-20 ÷ 80°C
Fluid	compressed air, lubricated or not lubricated
Working pressure	1,5 ÷ 10 bar
Bore	Ø 80 - 100 mm
Cushion	adjustable pneumatic cushioning in both sides

CONSTRUCTIVE CHARACTERISTICS

End caps	aluminium
Barrel	extruded aluminium anodized
Piston	aluminium
Piston guide	acetal resin
Piston rod	stainless steel
Piston seal	nitril rubber
Piston rod guide	acetal resin
Rubber cushion	nitril rubber
Magnet	plastroferrite magnetic ring

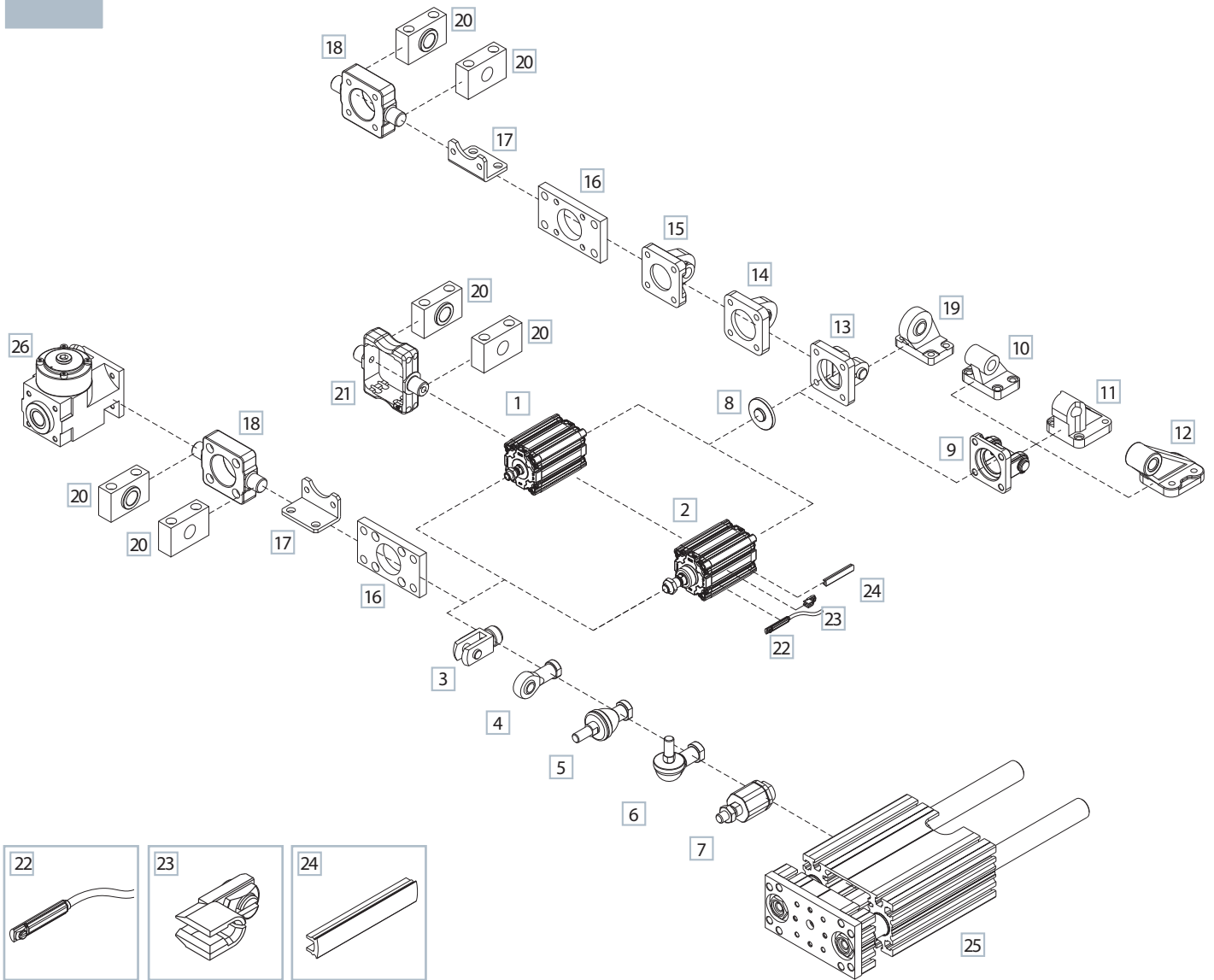
CODIFICATION KEY

R	M	2	0	1	0	3	2	0	0	2	5	-
1	2	3	4	5			6					

1 Series	2 Type	3 Version
RM = Compact cylinder ISO 21287 RS = Compact cylinder STRONG	1 = Female piston rod stainless steel 2 = Female piston rod chromium-plated 3 = Male piston rod stainless steel 4 = Male piston rod chromium-plated	00 = D.E. Standard 01 = D.E. Through rod 60 = S.E. Retracted rod 70 = S.E. Extended rod

4 Bore	5 Stroke (mm)	6 Option
080 = Ø80 100 = Ø100	Simple acting 0005 - 0010 - 0015 - 0020 - 0025 Double acting 0005 - 0010 - 0015 - 0020 - 0025 - 0030 - 0040 - 0050 - 0060 - 0080	H = Hollow rod only for versions with through, without flange

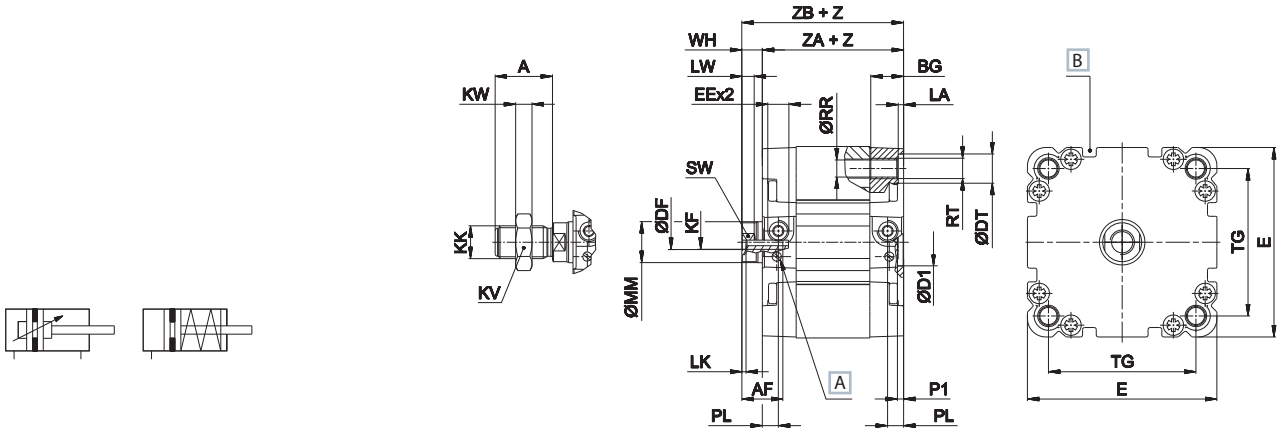
D.E. = Double acting **S.E.** = Simple acting



DESCRIPTION	NOTES	PART NO.
1 Compact cylinder RM series	-	-
2 Compact cylinder RS series	-	-
3 Female fork with clips	zinc plated steel	KF-15080
4 Articulated self-lubricating fork	zinc plated steel	KF-17080
5 Fork with axially mounted articulated pin	zinc plated steel	KF-22080
6 Fork with angle-mounted articulated pin	zinc plated steel	KF-23080
7 Floating joint M12x1,25	zinc plated steel	KF-24080
8 Adaptor ring UNITOP/ISO	aluminium	RS-09080/RS-09100
9 Female rear hinge with pin	aluminium (stainless steel upon request)	KF-10080A/KF-10100A
10 Counter hinge 90° (CETOP)	aluminium (stainless steel upon request)	KF-19080CTA/KF-19100CTA
11 Counter hinge a 90°	aluminium (stainless steel upon request)	KF-19080/KF-19100
12 Counter hinge 90° (CNOMO)	aluminium (stainless steel upon request)	KF-19080CN/KF-19100CN
13 Narrow female hinge with clips	aluminium (stainless steel upon request)	KF-10080AS/KF10100AS
14 Male rear hinge (MP4)	aluminium (stainless steel upon request)	KF-11080/KF-11100
15 Narrow male articulated hige	aluminium (stainless steel upon request)	KF-11080S/KF-11100S
16 Front (MP1) rear (MP2) flange	zinc plated steel	KF-12080/KF-12100
17 Bracket (MS1)	zinc plated steel	KF-13080/KF-13100
18 Front- rear hinge	zinc plated steel	KF-14080AP/KF-14100AP
19 Articuled counter-hinge 90° DIN	zinc plated steel	KF-19080SC/KF-19100SC
20 Support for intermediate hinge	zinc plated steel	KF-41080/KF-41100
21 Intermediate hinge	zinc plated steel	KDF-14080/KDF-14100
22 Magnetic sensor	-	DF-
23 Cable clamping	polycarbonate	DF-001
24 Strip cover	NBR	DF-0020100
25 Slide units J series	-	J- (only RS)
26 Locking units L1-N series	-	L1-N08025/L1-N10025 (only RS)

RM

> Double acting/simple acting retracted piston



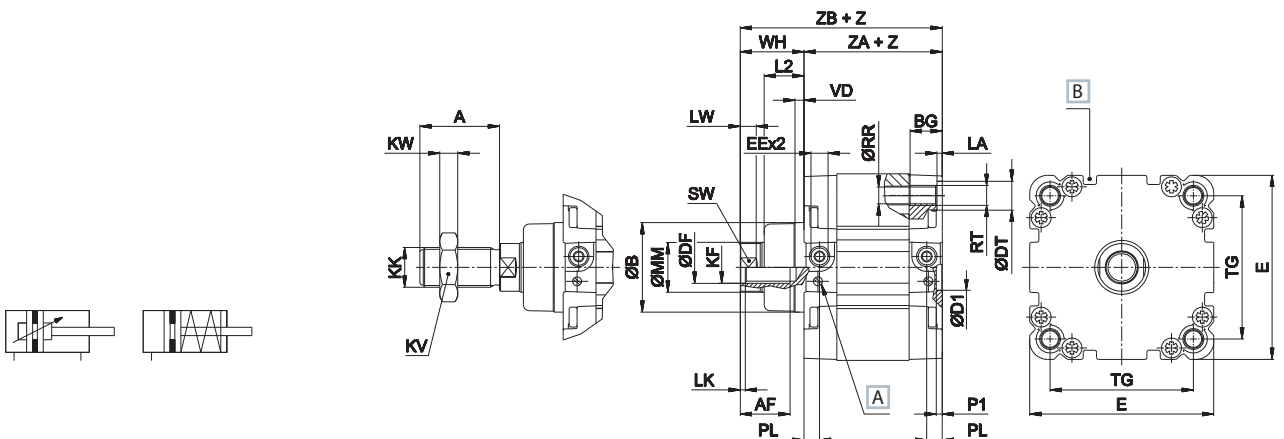
> Extended piston rod



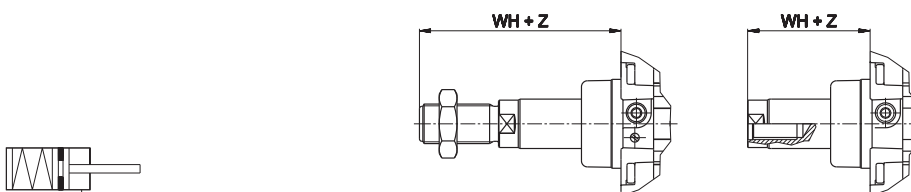
Ø	A	AF	BG	DF	DT	D1	E	EE	KF	KK	KV	KW	
							H11						
80	28	20	16,5	12,2	14	23	93,5	G1/8	M12	M16x1,5	24	10	
100	28	20	21,5	12,2	14	28	112	G1/8	M12	M16x1,5	24	10	
Ø	LA	LK	LW	MM	PL	P1	RR	RT	SW	TG	WH	ZA	ZB
80	2,6	2	6	20	8	3	8,4	M10	17	72	10	54	64
100	2,6	2	6	20	10,5	3	8,4	M10	17	89	10	67	77

RS

> Double acting/simple acting retracted piston



> Extended piston rod



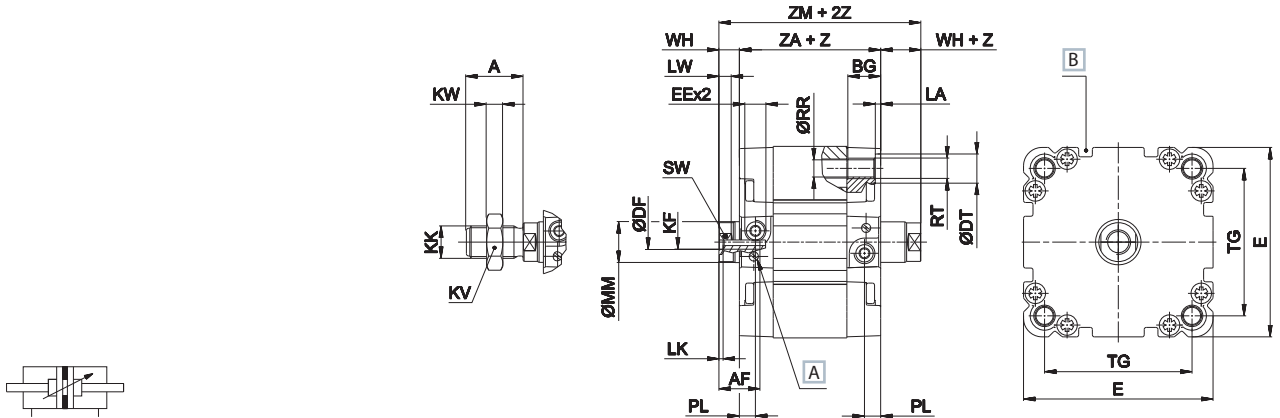
Ø	A	AF	B	BG	DF	DT	D1	E	EE	KF	KK	KV	KW	LA
								H11						
80	40	25	45	16,5	16,2	14	23	93,5	G1/8	M16	M20x1,5	30	9	2,6
100	40	25	55	21,5	16,2	14	28	112	G1/8	M16	M20x1,5	30	9	2,6
Ø	LK	LW	L2	MM	PL	P1	RR	RT	SW	TG	VD	WH	ZA	ZB
80	2,5	8	20	25	8	3	8,4	M10	22	72	4	32	54	86
100	2,5	8	20	25	10,5	3	8,4	M10	22	89	4	32	67	99

A Adjusting screw pneumatic cushioning

Z = stroke

B Mounting sensor

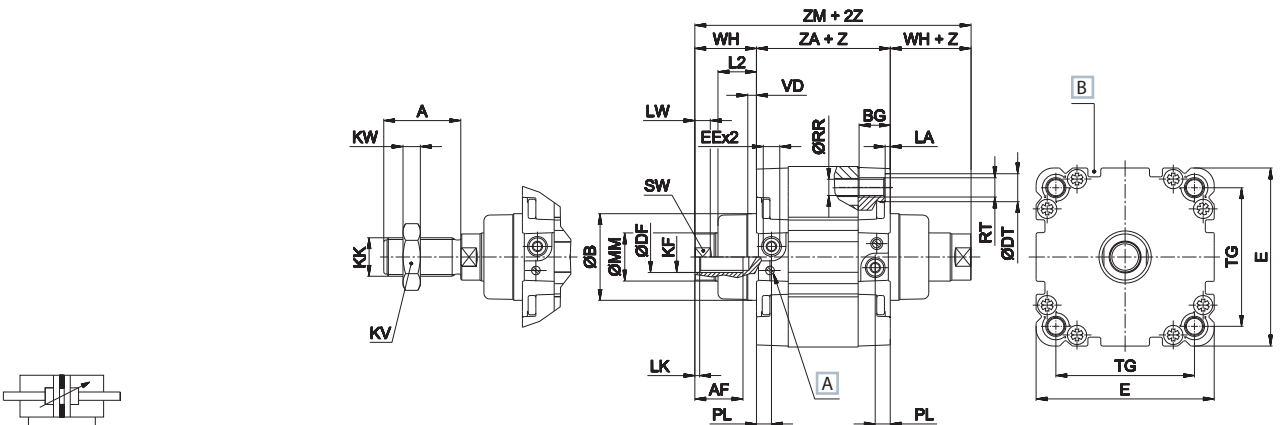
RM



Ø	A	AF	BG	DF	DT	E	EE	KF	KK	KV	KW
80	28	20	16,5	12,2	14	93,5	G1/8	M12	M16x1,5	24	10
100	28	20	21,5	12,2	14	112	G1/8	M12	M16x1,5	24	10

Ø	LA	LK	LW	MM	PL	RR	RT	SW	TG	WH	ZA	ZM
80	2,6	2	6	20	8	8,4	M10	17	72	10	54	74
100	2,6	2	6	20	10,5	8,4	M10	17	89	10	67	87

RS



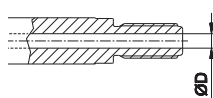
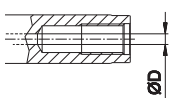
Ø	A	AF	B	BG	DF	DT	D1	E	EE	KF	KK	KV	KW	LA
80	40	25	45	16,5	16,2	14	23	93,5	G1/8	M16	M20x1,5	30	9	2,6
100	40	25	45	21,5	16,2	14	28	112	G1/8	M16	M20x1,5	30	9	2,6

Ø	LK	LW	L2	MM	PL	P1	RR	RT	SW	TG	VD	WH	ZA	ZM
80	2,5	8	20	25	8	3	8,4	M10	22	72	4	32	54	118
100	2,5	8	20	25	10,5	3	8,4	M10	22	89	4	32	67	131

> Hollow through piston rod

- Female

- Male



Ø	D
80	6
100	8

A Adjusting screw pneumatic cushioning
 B Mounting sensor

Z = stroke

UNIVER S.p.A.
Headquarter

I - 20128 **Milano**
Via Eraclito, 31
Tel. +39 02 25298.1
Fax +39 02 2575254
e-mail: info@univer-group.com
www.univer-group.com

UNIVER SERVICE S.r.l.
Headquarter

I - 20128 **Milano**
Via Empedocle, 20
Tel. +39 02 25298.1
Fax +39 02 25298370
e-mail: universervice@universervice.it
www.universervice.it

UNIVER CUNEO S.r.l.

12040 **Cervere (CN)**
Via dell'Aviazione s.n.
Tel. +39 0172 495790/38
Fax +39 0172 2495611

Branch Office:

LOMBARDIA/VENETO

I - 20128 **Milano**
Via Empedocle, 20
Tel. +39 0225298.1
Fax +39 0225298370
universervice@universervice.it
www.universervice.it

I - 24060 Castelli Calepio **Bergamo**

Via C. Curotti, 31/33
Tel. +39 035 892707
Fax +39 035 892700
castellicalepio@universervice.it
www.universervice.it

PIEMONTE/LIGURIA/VALLE D'AOSTA

I - 10071 Borgaro Torinese **Torino**
Via Veneto, 18
Tel. +39 011 4501871
Fax +39 011 4502898
torino@universervice.it
www.universervice.it

EMILIA ROMAGNA/TOSCANA/MARCHE

I - 40069 Zola Predosa **Bologna**
Via Guido Rossa, 21
Tel. +39 051 753907
Fax +39 051 6184751
bologna@universervice.it
www.universervice.it

CENTRO/SUD

I - 40069 Zola Predosa **Bologna**
Via Guido Rossa, 21
Tel. +39 051 753907
Fax +39 051 6184751
bologna@universervice.it
www.universervice.it

www.univer-group.com

UNIVER Pty Ltd

AUSTRALIA - 3175 **Victoria**
Nicole Way Dandenong, 11
Tel. +61 3 97930377
Fax +61 3 97930399
e-mail: sales@univer.net.au

UNIVER G.m.b.H.

GERMANY - 53859 **Niederkassel**
Marktstraße 114
Tel. +49 2208 90900
Fax +49 2208 909040
e-mail: info@univer-gmbh.de
www.univer-gmbh.de

UNIVER

Manufacturing Company Ltd.
UNITED KINGDOM - **Bradford**
Station Road - West Yorkshire BD145F
Tel. +44 1274 725777
Fax +44 1274 725111
e-mail: enquiries@univer.co.uk
www.univer.co.uk

UNIVER do Brasil S/A

BRASIL - 83055-320
São José dos Pinhais - Paraná
Av. Rui Barbosa, 3005
Tel. +55 41 33824606
Fax +55 41 33824807
e-mail: univerbrasil@univer.com.br
www.univer.com.br

UNIVER S.L.

System Supplier Pneumatic
SPAIN - 08210 **Barbera Del Valles**
Barcelona - Ronda Industria, 26 - 28
Tel. +34 93 7297360
Fax +34 93 7297380
e-mail: univer@univerweb.com
www.univerweb.com

UNIVER M. VIOLA

POLAND - 43300 **Bielsko-Biala**
Ul. Zywiecka, 158
Tel. +48 33 8105354/+48 33 8140438
Fax +48 33 8140439
e-mail: pneumatyka@univer.pl

UNIVER OY

FINLAND - 15200 **Lahti**
Hirsimetsäntie, 9
Tel. +358 207 491400
Fax +358 207 491401
e-mail: sales@univer.fi
www.univer.fi

UNIVER SWEDEN AB

SWEDEN - 44361 **Stenkullen**
Hedeforsvägen, 2
Tel. +46 302 23060
Fax +46 302 22864
e-mail: info@univer.se
www.univer.se

Distributors Worldwide:

ARGENTINA	INDIA
AUSTRIA	INDONESIAN
BELGIUM	IRELAND
CANADA	ISRAEL
CHINA	LITHUANIA
CÔTE D'IVOIRE	MALAYSIA
CYPRUS	MOROCCO
CZECH REPUBLIC	NEW ZEALAND
DENMARK	PAKISTAN
ECUADOR	PERU'
EGYPT	PORTUGAL
GREECE	SAUDI ARABIA /
HOLLAND	KUWAIT / QATAR
HUNGARY	

UNIVER FRANCE S.a.s.

FRANCE - 68000 **Colmar**
1, rue Denis Papin
Tel. +33 03 89210900
Fax +33 03 89216850
e-mail: info@univer-france.fr
www.univer-france.fr

UNIVER AG

SWITZERLAND - 6312 **Steinhausen**
Postfach - Sumpfstrasse, 26
Tel. +41 41 7417580
Fax +41 41 7417280
e-mail: mail@univer-ag.ch
www.univer-ag.ch

SERBIAN REPUBLIC
ROMANIA
SLOVENIA
SOUTH AFRICA
SOUTH KOREA
SYRIA
TAIWAN
THAILAND
TUNISIA
TURKEY
USA
UNITED ARAB EMIRATES /
OMAN / YEMEN