

NEWS

2017

www.univer-group.com



UNIVER

**PNEUMATIC
AUTOMATION**

AUTOMOTIVE

**MODULAR
TOOLING
SYSTEM**

UNIVER S.p.A.

Headquarters

20128 Milano - ITALY

Via Eraclito, 31

Tel. +39 02 25298.1

Fax +39 02 2575254

info@univer-group.com

www.univer-group.com

In light of technical updates, **Univer S.p.A.** reserves the right to modify technical features of its products with no obligation to issue prior notice.

Information contained in the present catalogue is pure indication. For further details about product technical features and related parameter values to be respected for a proper functioning, please refer to the datasheets available at:

www.univer-group.com

All rights reserved to **Univer S.p.A.** Unauthorized reproduction prohibited.

since **1971**
KNOW-HOW
RESEARCH
INNOVATION

ESSENTIAL

EL series valves **18 mm** (G1/8) **22 mm** (G1/4)

HIGH FLOW RATE

800 NI/min (G1/8) **1700** NI/min (G1/4)

REDUCED DIMENSIONS

18 mm (G1/8) 22 mm (G1/4)

COMPLETE SOLUTION

Available versions

5/2 - 5/3 - 3/2+3/2

STRONG

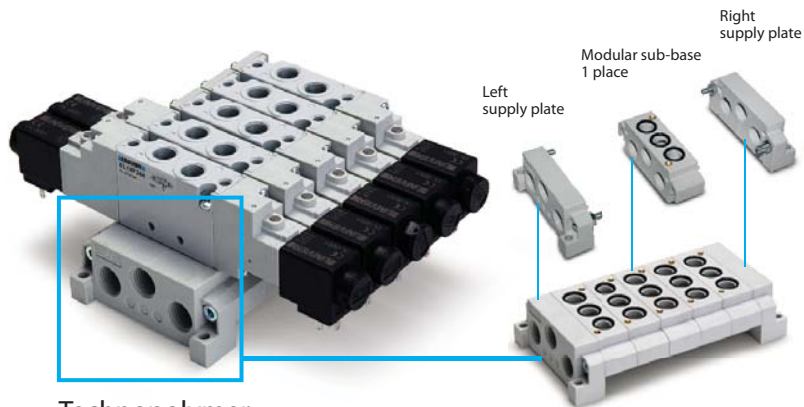
Aluminium body



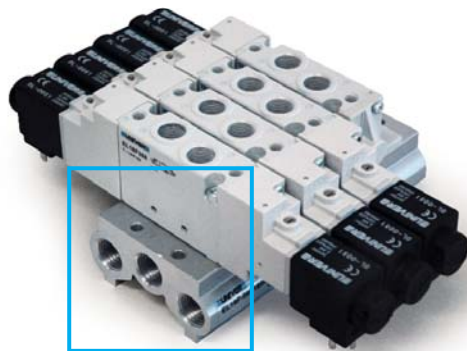
G1/4
1700
NI/min



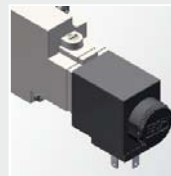
G1/8
800
NI/min



Technopolymer
modular sub-base



Aluminium
sub-base



INTERCHANGEABLE U6 COIL

12 - 24 V DC
24 - 110 - 220 V AC



METALLIC MANUAL OVERRIDE

(standard supplied)
impulse and 1-2 positions



SUB-BASE MOUNTING

Easy installation by means
of 2 screws



INDIVIDUAL MOUNTING

Side holes on valve body



UNIVER TRADITIONAL SPOOL TECHNOLOGY

The dynamic spool guarantees
long service life and reliability

COMPACT

P10 (10 mm) **P15** (15 mm) **P22** (22 mm)

HIGH FLOW RATE

UNIVER traditional spool technology

COMPACT SIZE

Highest reduction of overall dimensions

EASY INSTALLATION

All pneumatic connections on the same side

COMPLETE SOLUTION

5/2 - 5/3 - 3/2+3/2

LOW POWER CONSUMPTION

1 W (standard) 0,3 W (upon request)

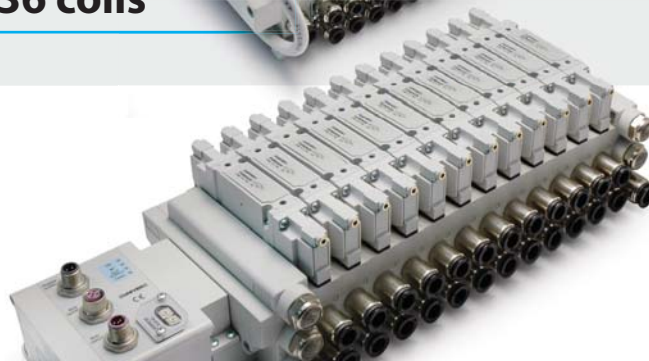
NEW
up to
36 coils



P10
310
NI/min



P15
800
NI/min



P22
1700
NI/min

TC

Serial Communication System

MODULAR

Configurable expansion modules

FLEXIBLE

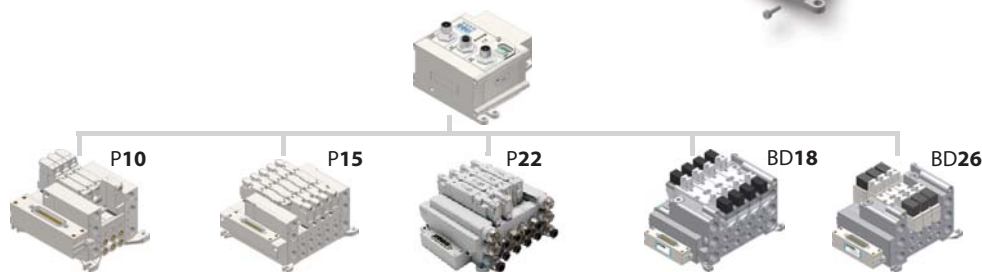
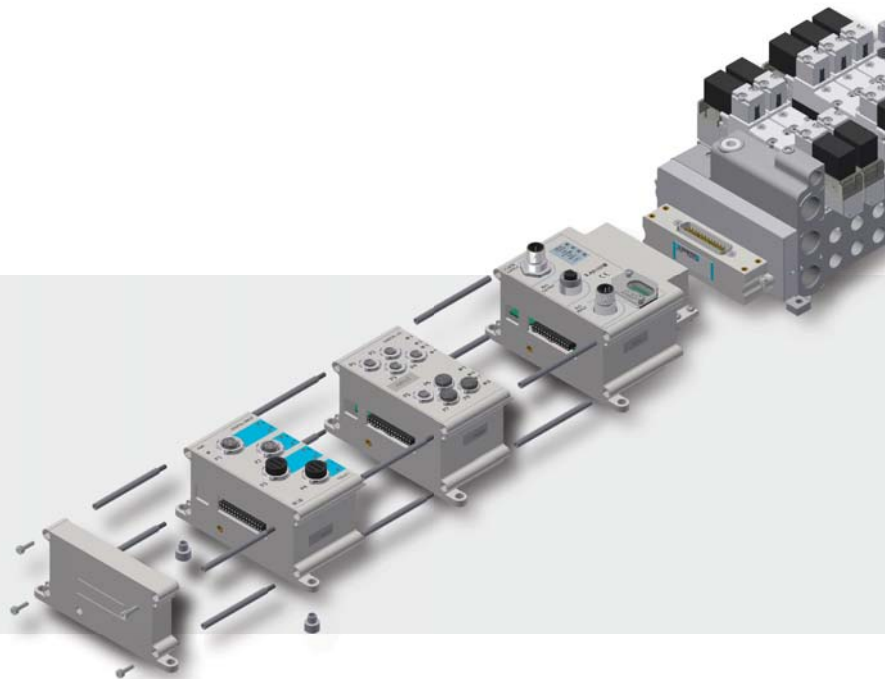
High handling capacity of digital inputs and outputs

INTEGRATED

Direct connection to valve manifolds

DISTRIBUTED CONFIGURATION

Remote expansion modules for valve manifolds



CANopen

EtherCAT
Technology Group

EtherNet/IP

DeviceNet

PROFIBUS

PROFINET

ATEX

Products in compliance with 2014/34/EU ATEX Directive



CSA - UL

Products certified for North America (United States - Canada)

ELECTROPILOTS U1 - U2 - U3 SERIES

IN COMPLIANCE WITH

CSA C22.2 N.139-13

UL 429/2013

AVAILABLE SERIES

AA / AB / BE / AE / AC-N / CL-CM / AC / AF / AG / HZE05 / HZE15



HZRP30

Precision Regulator G1/4

COMPACT AND LIGHTWEIGHT

Die-cast aluminium body

HIGH PRECISION AND STABILITY

Multi-membrane construction

ADJUSTING RANGE

0 ÷ 2 bar / 0 ÷ 4 bar / 0 ÷ 8 bar

FLEXIBLE MOUNTING

Panel or bracket mounting



HZRE

Electropneumatic **Proportional** Regulators

3 SIZES

G1/8 - G1/4 - G1/2

INTEGRATED DIGITAL DISPLAY

Easy reading and setting

INTEGRATED USER INTERFACE

Buttons for easy setting standard supplied

DIRECT ELECTRICAL CONNECTION

M12A (4 pins) connector standard supplied

HIGH PRECISION

High precision pressure sensor



HZE05

Air Treatment Units - **NEW Size 05** (50 mm)

size **05**
NEW

REDUCED DIMENSIONS

MODULAR STRUCTURE

LOCKABLE REGULATOR

Standard

DIE-CAST ALUMINIUM BODY

COMPLETE SOLUTION

Possibility of assembling combinations
complete with accessories



0

600

NI/min



NEW

05

1500

NI/min



1

2800

NI/min



2

4300

NI/min



HZRS

Mini Regulator G1/4

COMPACT AND LIGHTWEIGHT

Reduced dimensions and weight

MODERN DESIGN

PANEL OR IN-LINE MOUNTING

Bracket or ring nut for panel mounting

PISTON CONSTRUCTION WITH RELIEVING



HZ9NP40

HZE **Integrated** Digital Pressure Switch

COMPACT SOLUTION

Reduced overall dimensions

QUICK ASSEMBLY

Easy installation

2-COLOUR DIGITAL LCD DISPLAY

Free configuration according to the applications

AVAILABLE FOR THE WHOLE RANGE

For regulators and filter regulators size 0, 1, 2



HZ9NP50

IP65 **Digital** Pressure Switch with connector

IP65 PROTECTION

Against water and dust from all directions

316L STAINLESS STEEL SENSOR AND FITTING

Suitable for aggressive fluids and gases

2-COLOUR DIGITAL LCD DISPLAY

Free configuration according to the applications

QUICK CONNECTION

Connector with quick installation cable standard supplied

COPY FUNCTION

The setting of master HZ9NP50 can be copied onto slave pressure switches



HZE1G/HZE2G

HZE **Coalescing** Filters - Size 1 and 2

HIGH PERFORMANCE AND LONG SERVICE LIFE

FILTER ELEMENTS

1 μm - 0,3 μm - 0,01 μm

CONDENSATION DRAIN

Manual - Semi-automatic - Automatic



PM/PK

AISI 316 **Stainless Steel** Pneumatic Cylinders

ISO 15552 CYLINDERS

Ø32 ÷ 100 mm

ROUND CYLINDERS

Ø32 ÷ 63 mm

ISO 6432 MICROCYLINDERS

Ø16 ÷ 25 mm



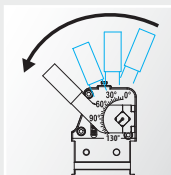
LAE

Electric Power Clamps



INTERCHANGEABLE

Same overall dimensions as
pneumatic power clamps



ADJUSTABLE OPENING ANGLE

15° ÷ 130°



UNIVER ORIGINAL CONTROL UNIT



ENVIRONMENTALLY FRIENDLY



TC-E

Modular Control System for Electric Clamping Units



**SERIAL
COMMUNICATION
SYSTEM**



ELECTRIC UNIT DRIVER
Control module for 2 clamping units
Max 8 electric devices



POWER UNIT
EFFICIENT power management



FLEXIBLE
Compatible with I/O modules
and valve manifolds

CANopen

EtherNet/IP

EtherCAT
Technology Group

PROFI
BUS

PROFI
NET

BLUECLAMP

air saving

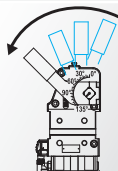
AIR SAVING up to **40** %

-10 %

REDUCED OVERALL DIMENSIONS



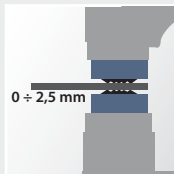
LIGHTWEIGHT



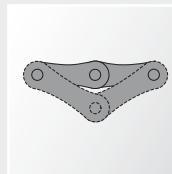
STEPLESS ADJUSTABLE OPENING ANGLE
0° ÷ 135°



REAR, FRONT AND SIDE MOUNTING SURFACE



INTEGRATED COMPENSATION



IRREVERSIBLE





UABP32VCS



UABP40VCS



UABP50VCS



UABP63VCS



UABP80VCS

ALL SIZES AVAILABLE

32 - 40 - 50 - 63 - 80 mm

TOGGLE JOINT MECHANISM AND SPRING PACK SYSTEM

Same internal system as standard UNIVER clamps

HIGH AIR SAVING IN EACH SIZE

STANDARD AND NAAMS VERSIONS

| SIZE | STANDARD CLAMP * | BLUE CLAMP * | SAVING % |
|------|------------------|--------------|----------|
| 32 | 99 | 60 | 40% |
| 40 | 165 | 103 | 39% |
| 50 | 286 | 185 | 35% |
| 63 | 510 | 338 | 34% |
| 80 | 1270 | 787 | 38% |

* = cm³/bar

LGPS

Pneumatic Grippers

STEPLESS ADJUSTABLE OPENING ANGLE

0°÷135°

LIGHTWEIGHT

TOGGLE JOINT MECHANISM

Irreversible movement without air supply

INTEGRATED COMPENSATION

TWO-SIDED SENSOR MOUNTING POSITION

Left and right side

360° ORBITAL ORIENTATION

Unlimited orbital mounting adjustment

INTEGRATED CUSHIONING SYSTEM



LARP

UNIVERSAL Power Pivot

ADJUSTABLE OPENING ANGLE

0° ÷ 120°

STOCK REDUCTION

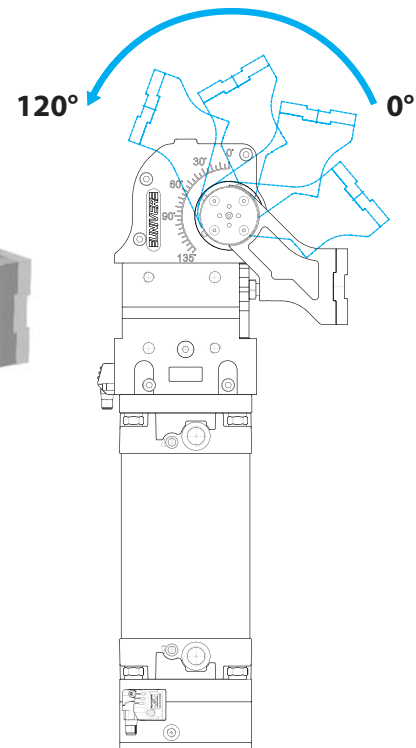
AVAILABLE WITH OR WITHOUT BRAKE

AVAILABLE FOR ALL SIZES

EASY SET UP



ADJUSTABLE OPENING ANGLE



DF-S/DF-C

NEW **Compact** Sensor

FULL METALLIC BODY

2 VERSIONS:

DF-S M12 adjustable swivel connector (in steps of 10°)

DF-C M12 fixed connector (to minimize overall dimensions)

REDUCED OVERALL DIMENSIONS

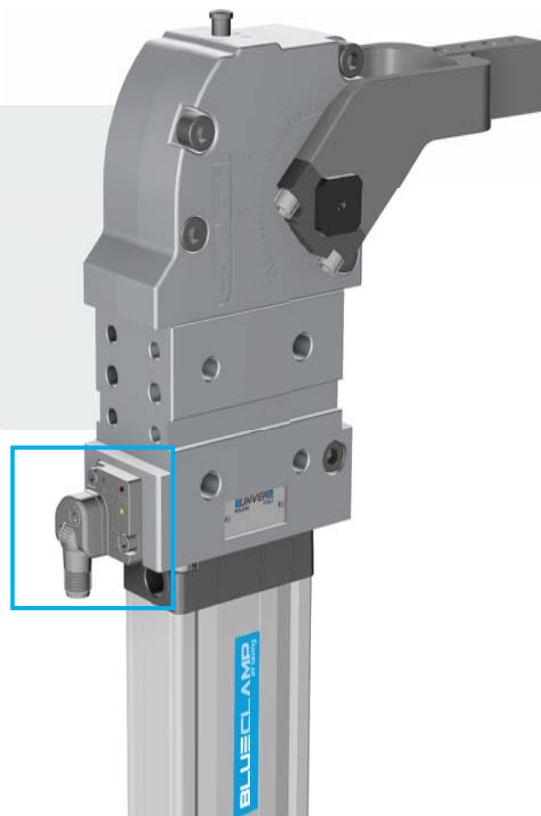
INTERCHANGEABLE WITH CURRENT DF-U SENSOR

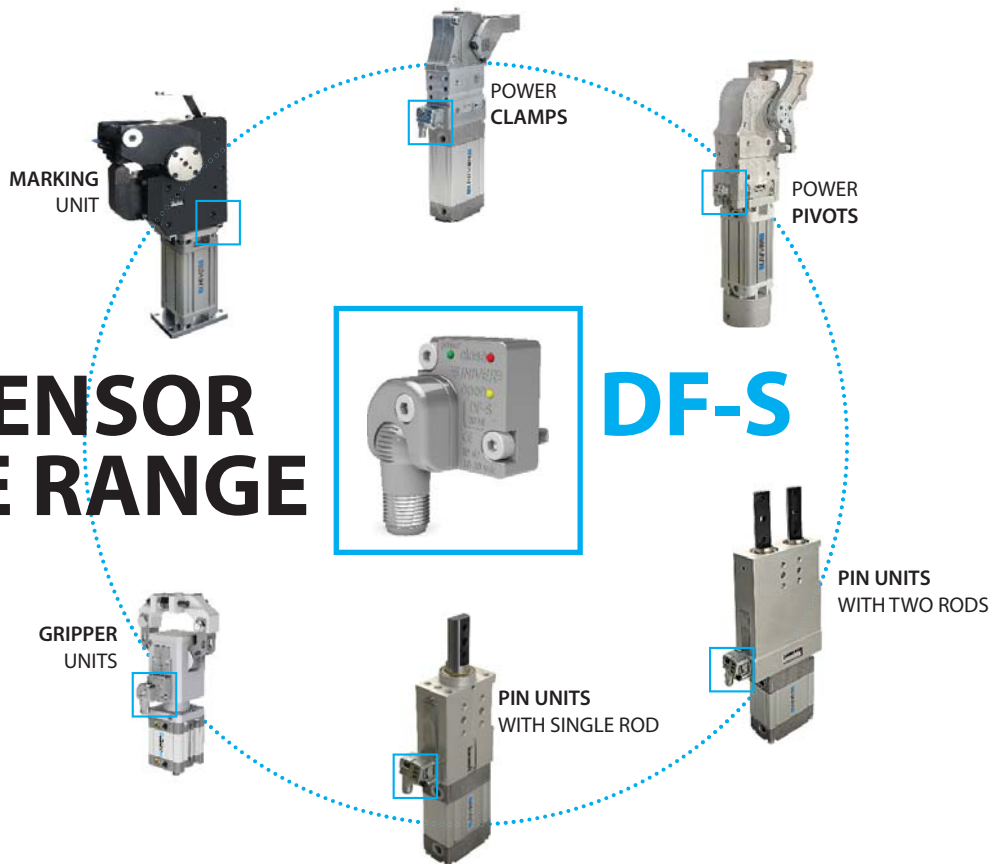


DF-S



DF-C





ONE **SINGLE SENSOR**
FOR THE **WHOLE RANGE**

1 SENSOR = STOCK REDUCTION

DF-RW700

Magnetic Field Immune Sensor

WELD FIELD IMMUNE FOR AUTOMOTIVE MANUFACTURING

For STRONG magnetic field environments/welding areas

2-COLOUR LED OPERATING RANGE

Unstable sensing range: RED

Stable sensing range: GREEN

FOR CYLINDER SERIES:

ISO 6432 - M

ISO 15552 - KE/KD/KL

UNITOP - RP/RO

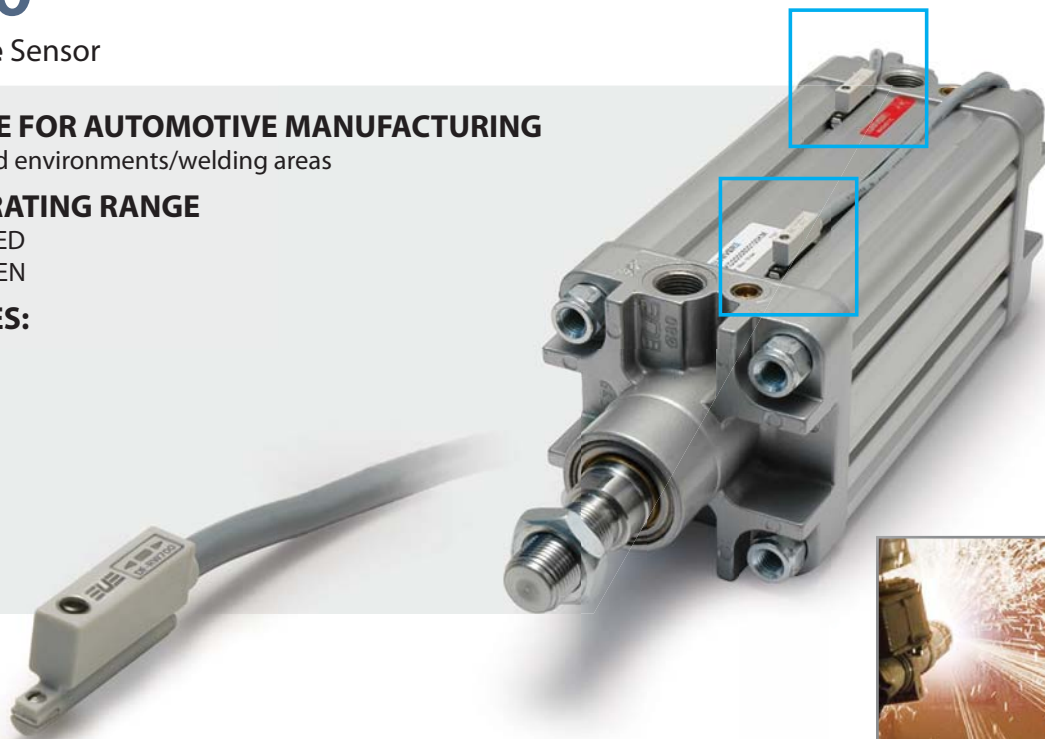
ISO 21287 - RM/RN

STRONG - RS/RQ

OVAL - OV

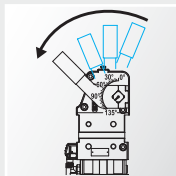
ROTARY - R

SHORT-STROKE - W



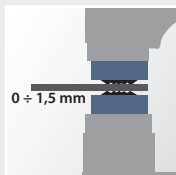
UNIVERSAL MINI CLAMP

Pneumatic Power Clamps $\varnothing 25 - \varnothing 32$



**STEPLESS ADJUSTABLE
OPENING ANGLE**

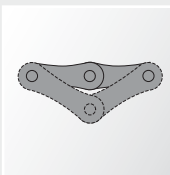
$0^{\circ} \div 135^{\circ}$



**INTEGRATED
COMPENSATION**



LIGHTWEIGHT



IRREVERSIBLE
Even in the absence
of air



GR8

Modular Tooling System

HIGH PRECISION

High level of positional repeatability;
low deflection

MODULAR COMPONENTS

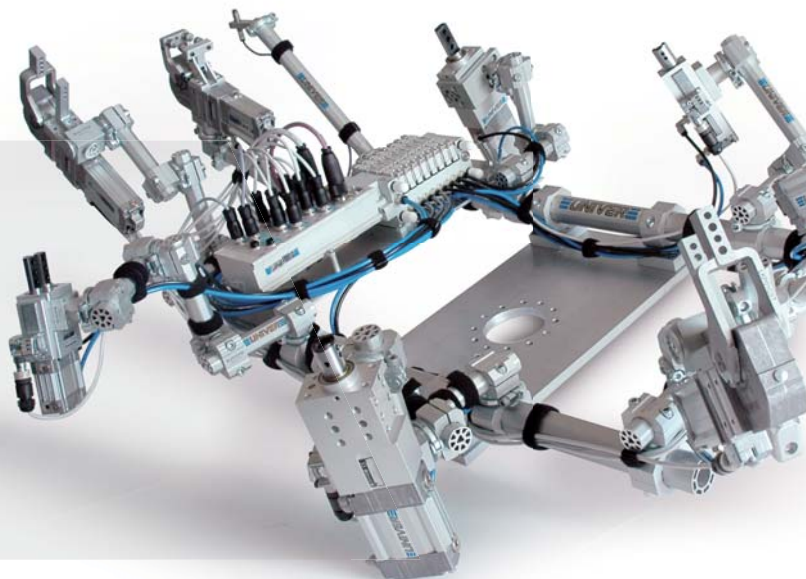
Considerable reduction of mounting components

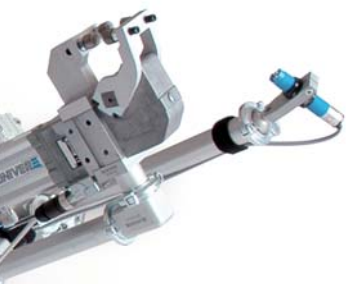
QUICK INSTALLATION AND SET UP

No welding or doweling required,
easily replaceable components

FULLY ADJUSTABLE

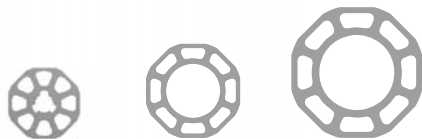
Unlimited orientation in space and free configuration





Ø 30 - 45 - 70 mm BOOMS

Maximum stiffness and minimum weight



LOCKING RING

Precise and efficient system to guarantee a high level of positional accuracy



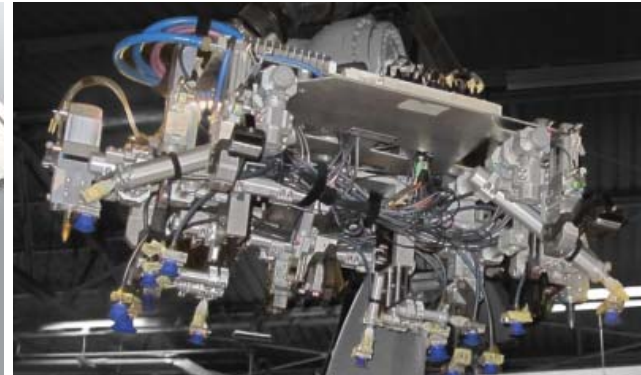
BALL MOUNTING

Unlimited swivel rotation



GR8

Application examples



COMPLETE SOLUTION WITH
UNIVER COMPONENTS

Unlimited and complex configurations
Weight-optimized standard components and brackets
Quick installation and adjustment
Modular components

UNIVER S.p.A.

Headquarters

20128 **Milano**
Via Eraclito, 31
Tel. +39 02 25298.1
Fax +39 02 2575254
info@univer-group.com
www.univer-group.com

UNIVER SERVICE S.r.l.

Headquarters

20128 **Milano**
Via Empedocle, 20
Tel. +39 02 25298.1
Fax +39 02 25298370
universervice@universervice.it
www.universervice.it

Branch Offices

20128 **Milano**
Via Empedocle, 20
universervice@universervice.it

24060 Castelli Calepio **Bergamo**
Via C. Curotti, 31/33
castellicalepio@universervice.it

40069 Zola Predosa **Bologna**
Via Balzani, 5
bologna@universervice.it

22040 Monguzzo **Como**
Via Valassina, 18
monguzzo@universervice.it

10071 Borgaro Torinese **Torino**
Via Veneto, 18
torino@universervice.it

30030 Vigonovo **Venezia**
Via Prima strada 16/A - Loc. Galta
vigonovo@universervice.it

UNIVER DO BRASIL Ltda

BRAZIL - 13474-764 - Americana **São Paulo**
Rua do Polyester, 29
Distrito Industrial Abdo Najar
atendimento@univer.com.br

UNIVER CHINA

CHINA - **Shanghai Pudong**
399 Fu Te North Road
Free Trade Zone
info@univer-china.com

UNIVER FRANCE S.a.s.

FRANCE - 68000 **Colmar**
1, rue Denis Papin
info@univer-france.fr

UNIVER G.m.b.H.

GERMANY - D-65428 **Rüsselsheim**
Eisenstraße 51
info@univer-gmbh.de

UNIVER NORTH AMERICA

USA - 48312 Sterling Heights - **Michigan**
6620 Cobb Drive
info@univer-group.us

UNIVER Polska Sp. z o.o.

POLAND - 25-663 **Kielce**
ul. K. Olszewskiego 21E
univer@univer-group.pl

UNIVER S.L.

SPAIN - 08210 Barbera Del Valles **Barcelona**
Ronda Industria, 26 - 28
univer@univerweb.com