

LCY40

Unità di centraggio pneumatica irreversibile con azionamento manuale, singola asta



L	C	Y	4	0	0	4	0	E	A	E	R
1	2	3	4				5	6	7	8	

1 Serie	2 Versione	3 Taglia
----------------	-------------------	-----------------

LC = Unità di centraggio

Y = Pneumatica irreversibile con azionamento manuale, singola asta

40 = Ø 40 mm

4 Corse	5 Sensore di posizione	6 Terminale asta
----------------	-------------------------------	-------------------------

040 = 40 mm

N = Senza sensore (con piastra di chiusura)
E = Sensore elettronico con connettore M12 orientabile

A = Asta per centraggi dislocati
B = Asta con impronta a chiavetta
C = Asta con impronta a chiavetta a croce, Ø interno 16 mm
D = Asta per centraggi dislocati con fori spina maggiorati

7 Orientamento asta	8 Raschiastelo
----------------------------	-----------------------

E = Est, standard



R = Raschiastelo metallico

O = Ovest



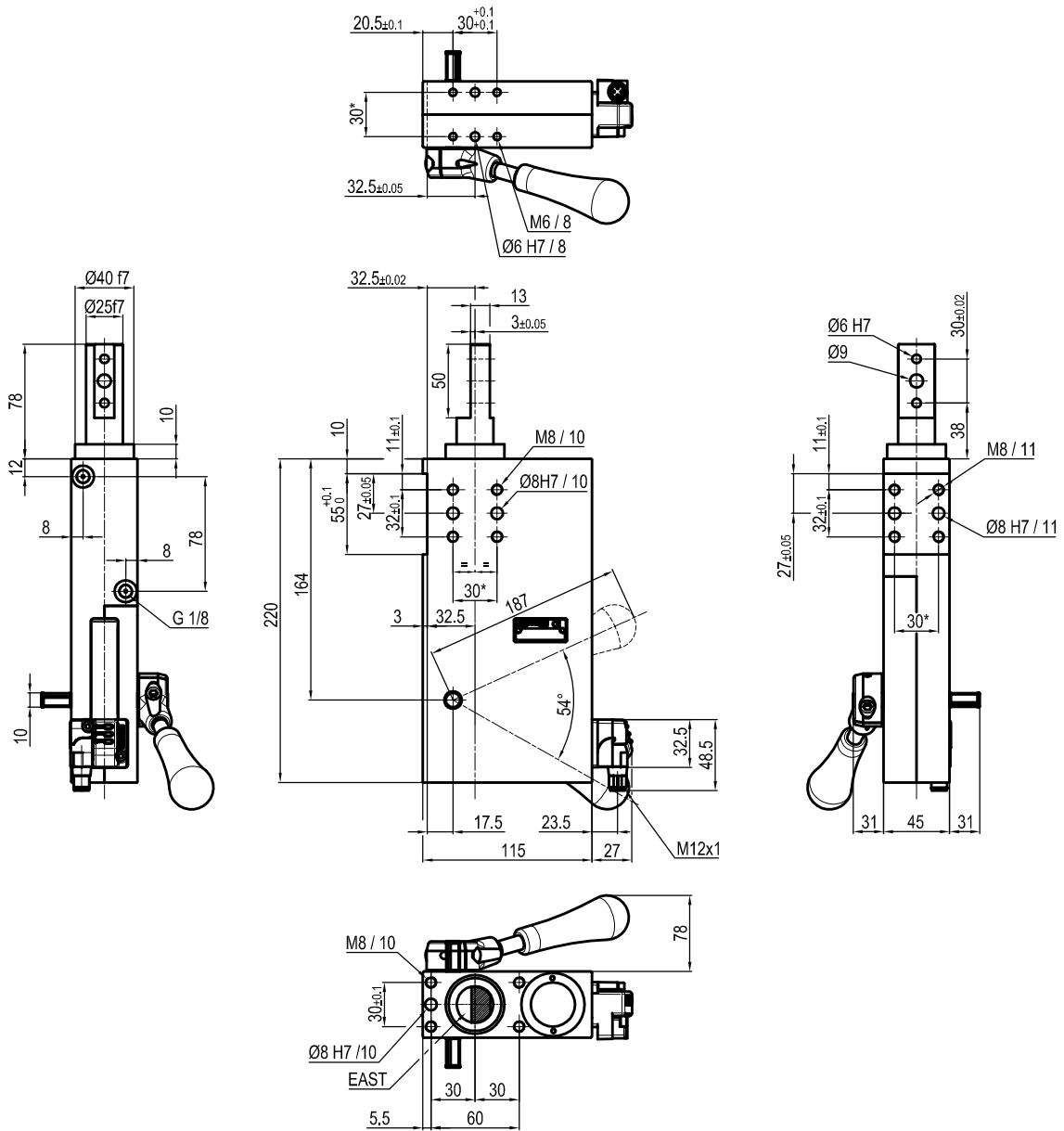
N = Nord



S = Sud



Solo con terminale asta A o D



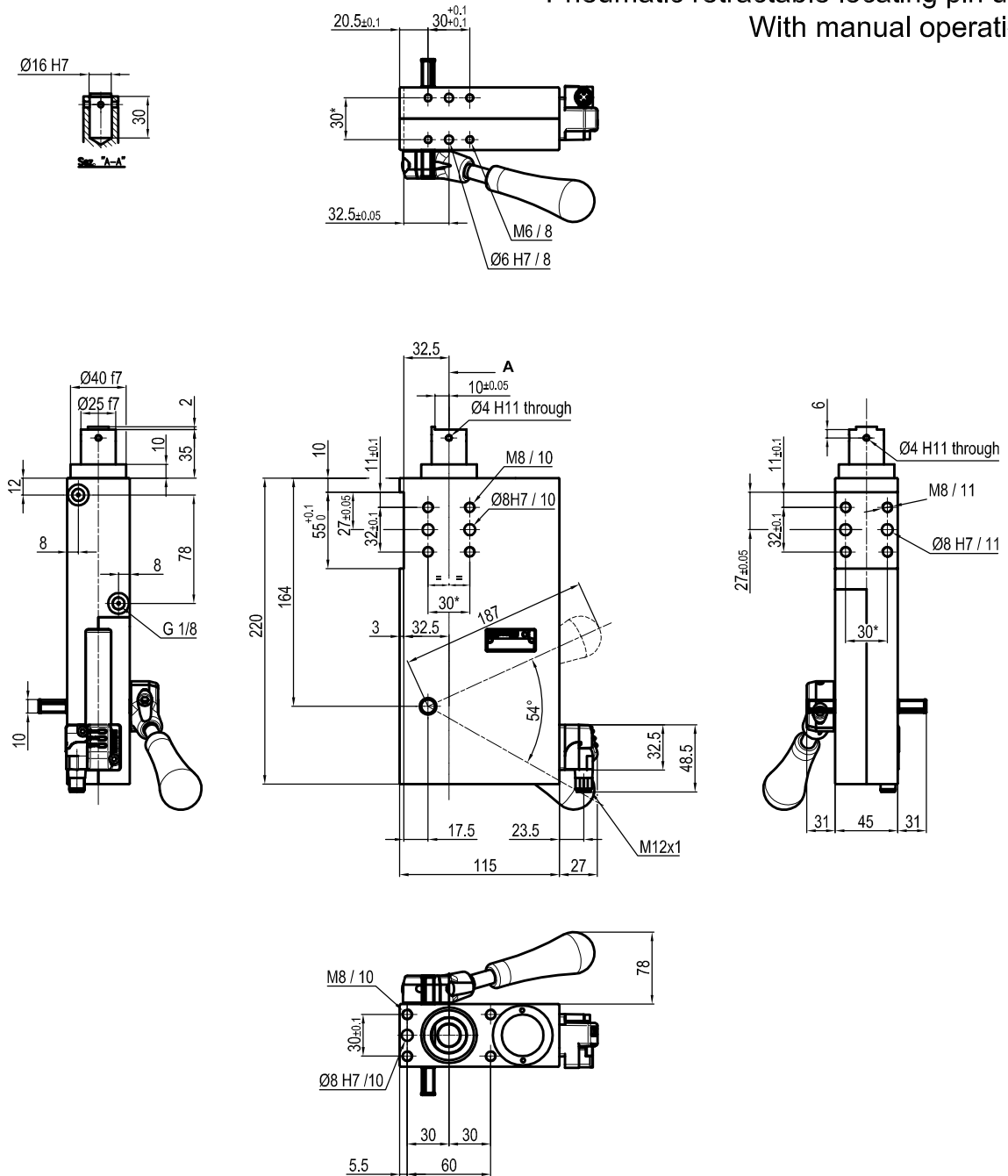
Bore \varnothing	Max. bending moment	Max. deflection moment	Weight
40 mm	6 Nm $\pm 0.06^\circ$	7.5 Nm ± 0.03	5.7 Kg

Min./max. operating pressure: **0,4 / 0,6 MPa**
 Operating temperature: **5° + 45° C**
 Strokes in mm.: **40**
 Electronic sensor with M12 swivel connector that can be orientated at 0° or 90°
 Supply voltage: 10+30 Vdc
 IP code: **IP 65**

* : TOLERANCE BETWEEN DOWEL HOLES ± 0.02 , TO SCREW HOLES ± 0.1

Subject to technical modification without notice.

Pneumatic retractable locating pin unit
With manual operation



Bore Ø	Max. bending moment	Max. deflection moment	Weight
40 mm	6 Nm ±0.06°	7.5 Nm ±0.03	5.7 Kg

Min./max. operating pressure: **0,4 / 0,6 MPa**

Operating temperature: **5° ± 45° C**

Strokes in mm.: **40**

Electronic sensor with M12 swivel connector that can be orientated at 0° or 90°

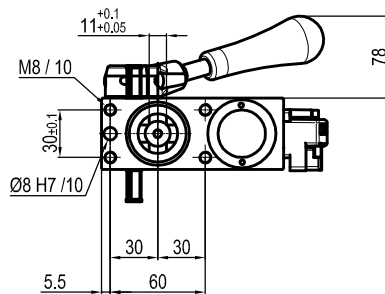
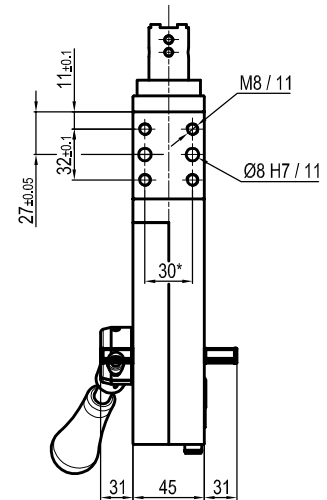
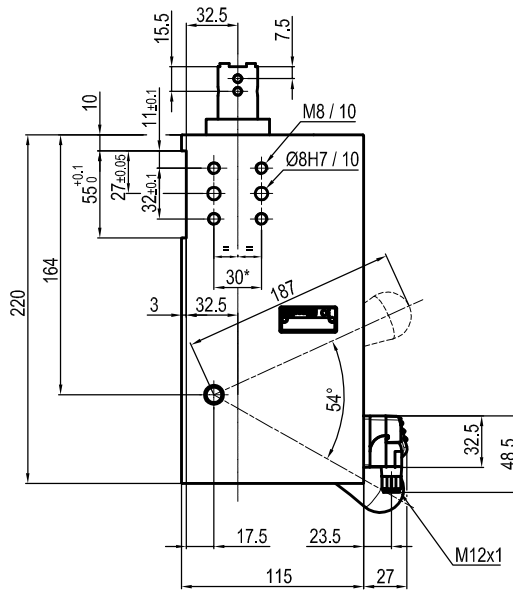
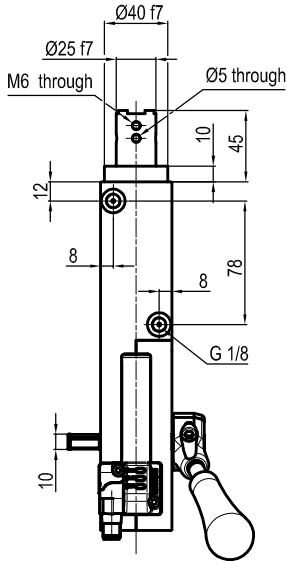
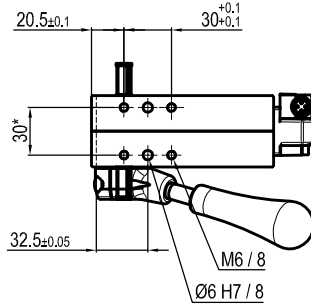
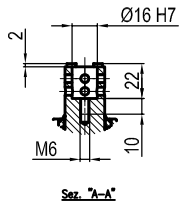
Supply voltage: 10÷30 Vdc

IP code: **IP 65**

* : TOLERANCE BETWEEN DOWEL HOLES ± 0.02, TO SCREW HOLES ± 0.1

Subject to technical modification without notice.

Pneumatic retractable locating pin unit
With manual operation



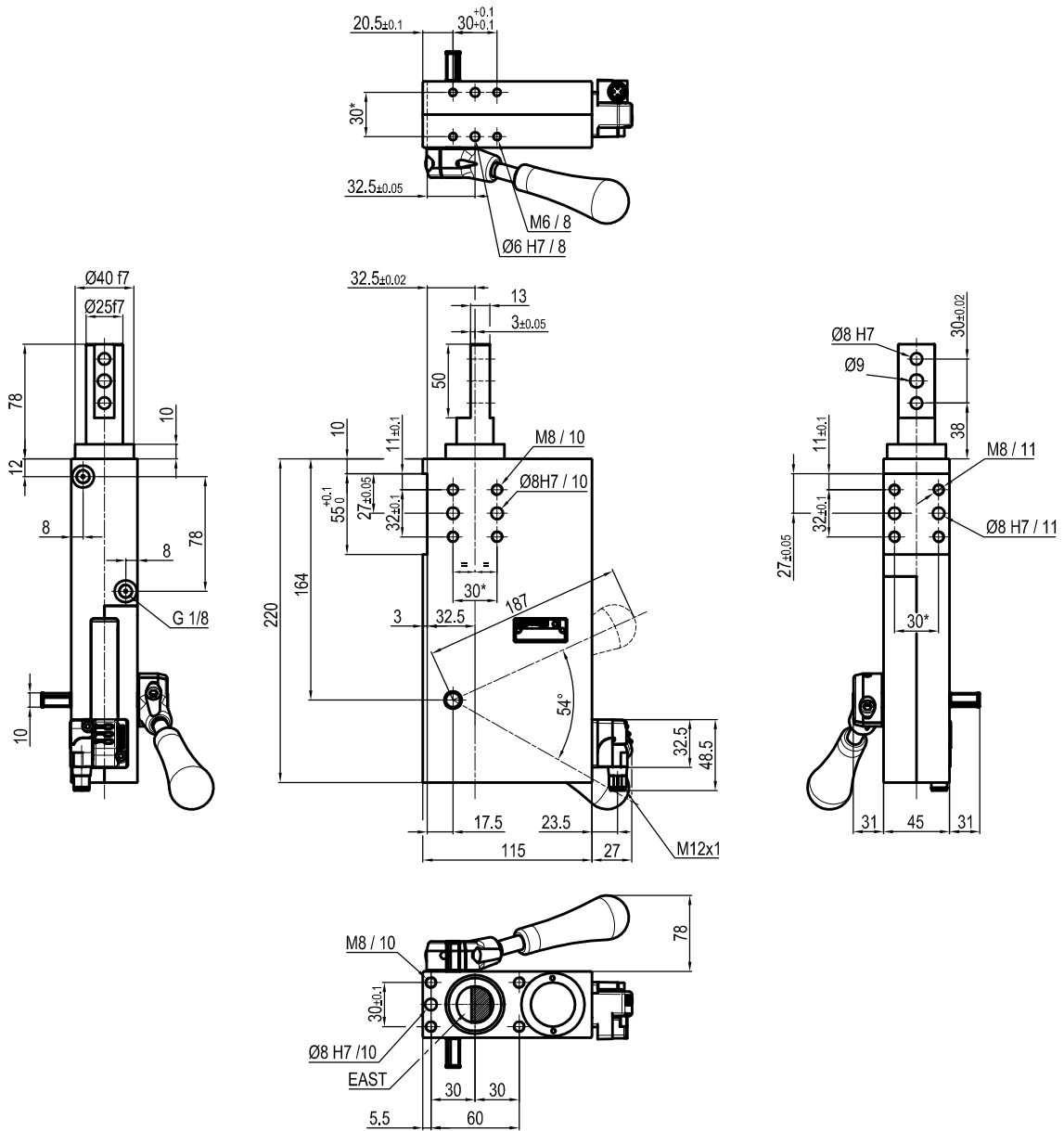
Bore Ø	Max. bending moment	Max. deflection moment	Weight
40 mm	6 Nm ±0.06°	7.5 Nm ±0.03	5.7 Kg

Min./max. operating pressure: **0,4 / 0,6 MPa**
 Operating temperature: **5° + 45° C**
 Strokes in mm.: **40**
 Electronic sensor with M12 swivel connector that can be orientated at 0° or 90°
 Supply voltage: 10+30 Vdc
 IP code: **IP 65**

* : TOLERANCE BETWEEN DOWEL HOLES ± 0.02, TO SCREW HOLES ± 0.1

Subject to technical modification without notice.

UNIVERSAL Pneumatic retractable locating pin unit



Bore Ø	Max. bending moment	Max. deflection moment	Weight
40 mm	6 Nm ±0.06°	7.5 Nm ±0.03	5.7 Kg

Min./max. operating pressure: **0,4 / 0,6 MPa**
 Operating temperature: **5° + 45° C**
 Strokes in mm.: **40**
 Electronic sensor with M12 swivel connector that can be orientated at 0° or 90°
 Supply voltage: 10+30 Vdc
 IP code: **IP 65**

* : TOLERANCE BETWEEN DOWEL HOLES ± 0.02, TO SCREW HOLES ± 0.1

Subject to technical modification without notice.