

LAGP600

Unità rotante pneumatica



L	A	G	P	6	0	0	V	E	0	9	0	B	C	
1	2	3	4	5	6	7	8	9						

1 Serie	2 Versione	3 Taglia
----------------	-------------------	-----------------

LAG = Unità rotante con angoli di rotazione determinanti

P = Pneumatica standard

600 = Cilindro Ø 200 mm

4 Posizione tavola	5 Sensore di posizione	6 Angoli di rotazione
---------------------------	-------------------------------	------------------------------

V = Verticale 180°

O = Orizzontale 90°

Z = Verticale, speculare alla posizione V massima apertura angolare 120°

P = Orizzontale, speculare alla posizione O massima apertura angolare 60°

E = Sensore elettronico con connettore M12 orientabile

A = Sensore elettronico con connettore M12 orientabile + sensore elettronico per rilevamento condizione freno

120 = 120°

090 = 90°

060 = 60°

045 = 45°

7 Blocco di stazionamento	8 Valvola	9 Connessioni
----------------------------------	------------------	----------------------

B = Con blocco di stazionamento

W = Senza blocco di stazionamento

C = Valvola integrata per ottimizzazione tempo ciclo

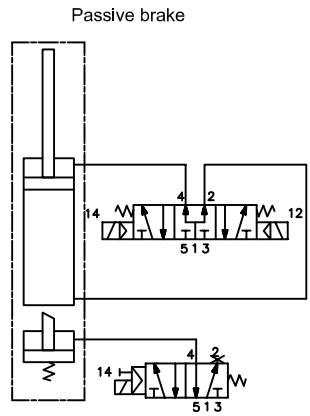
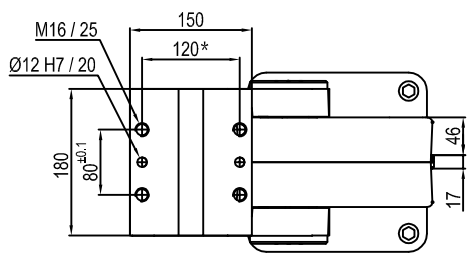
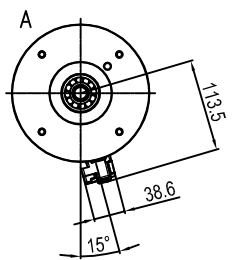
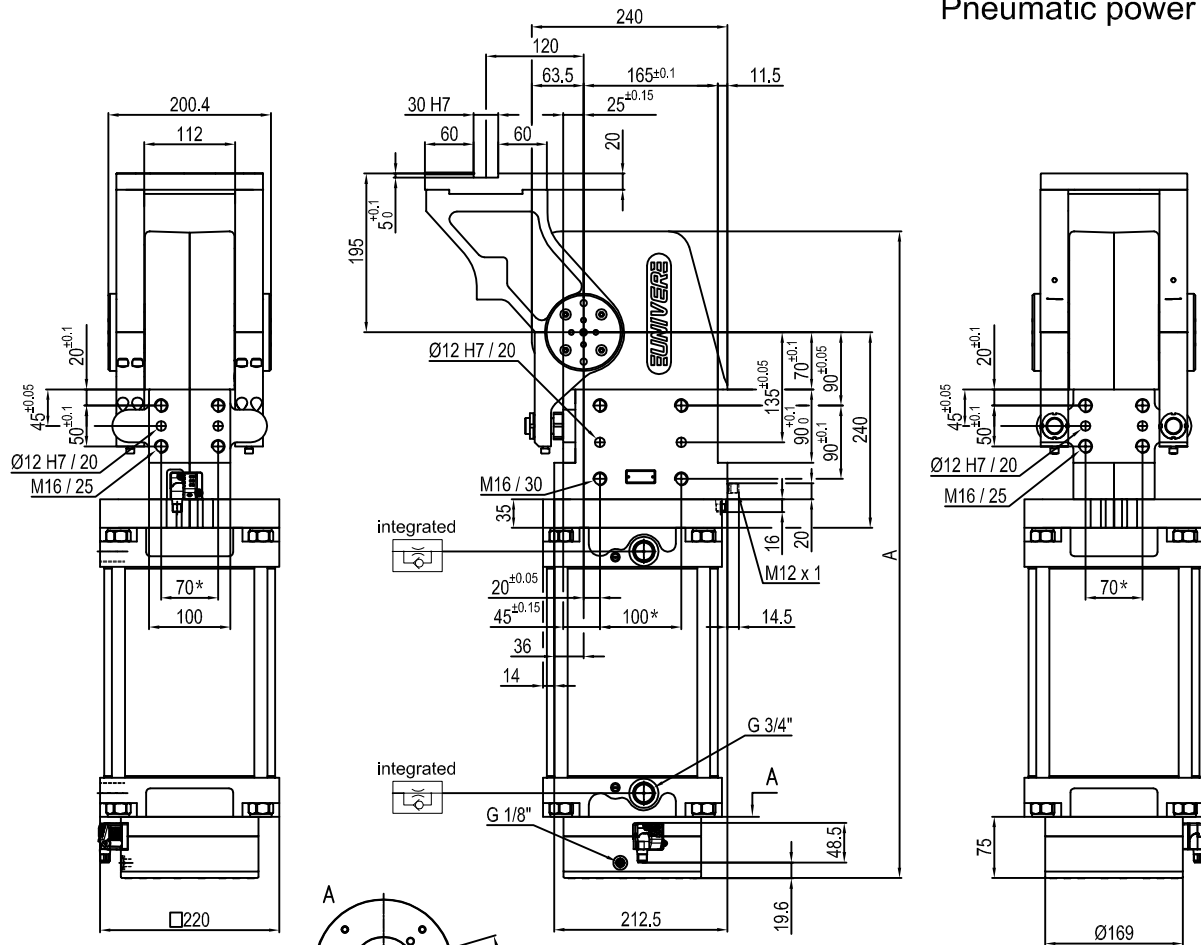
_ = Se non specificato lato sinistro (parte sinistra del sensore)

D = Lato destro (parte destra del sensore)

F = Frontale (di fronte al sensore)

P = Posteriore (stesso lato del sensore)

Pneumatic power pivot



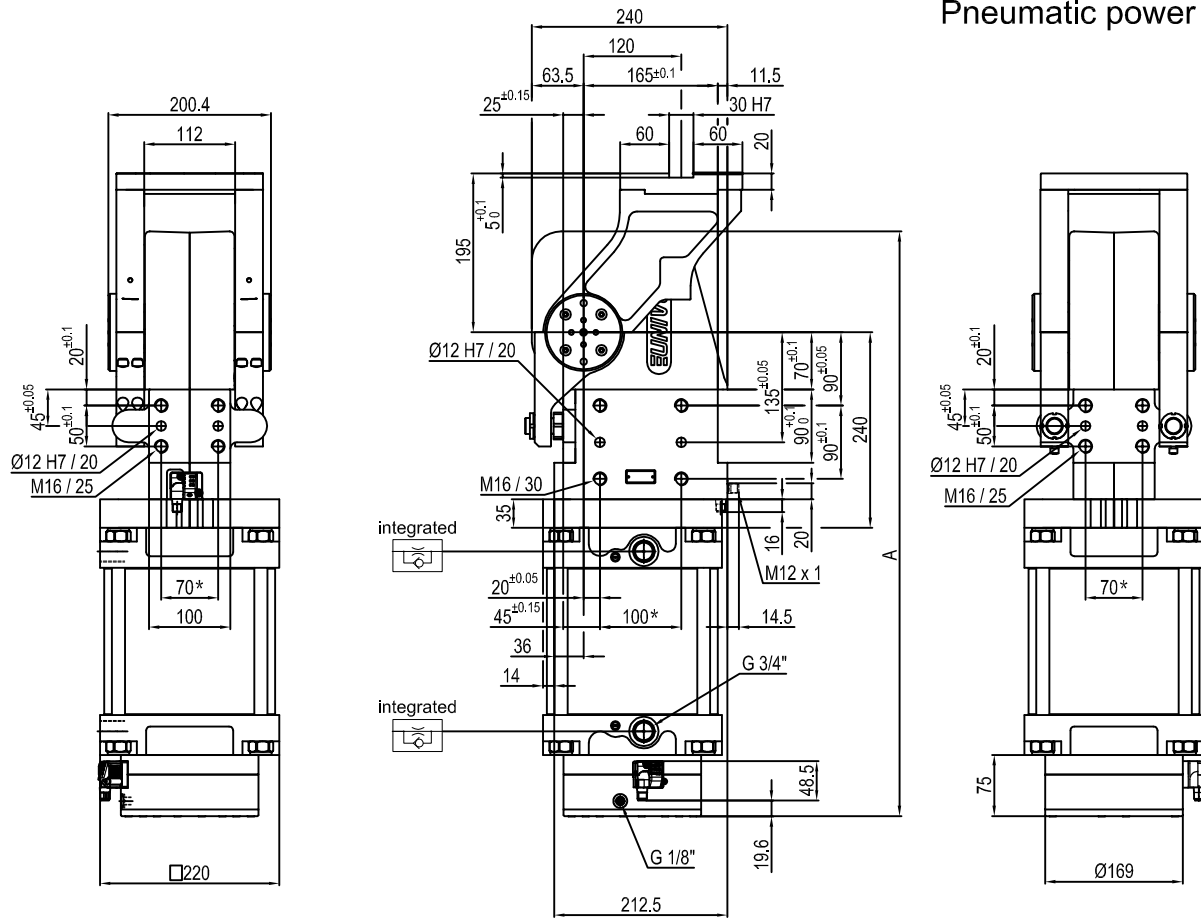
Pivot rotation in degrees	A
45°	702
60°	718
90°	755
120°	794

Size	Holding moment	Max. torque at the rotary table 0,55 MPa	Weight
600	8000 Nm	600 Nm	59.7 Kg

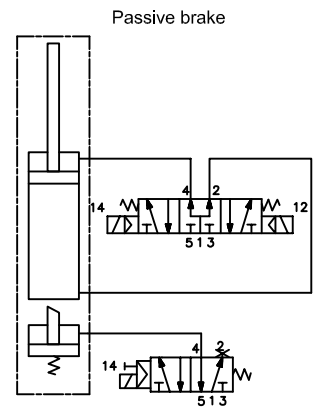
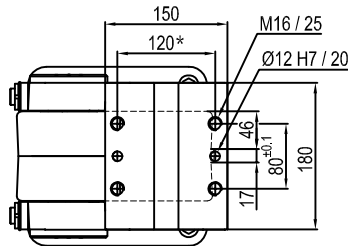
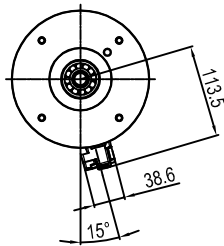
Min./Max. operating pressure: **0,4 / 0,6 MPa**
 Operating temperature: **5° + 45° C**
 Predetermine pivot rotation in degrees: **45° - 60° - 90° - 120°**
 Electronic sensor with M12 swivel connector that can be orientated at 0° or 90°
 Supply voltage: 10+30 Vdc
 IP code: **IP 65**

* : TOLERANCE BETWEEN DOWEL HOLES ± 0.02, TO SCREW HOLES ± 0.1

Pneumatic power pivot



Pivot rotation in degrees	A
45°	702
60°	718



Size	Holding moment	Max. torque at the rotary table 0,55 MPa	Weight
600	8000 Nm	600 Nm	59,7 Kg

Min./Max. operating pressure: **0,4 / 0,6 MPa**

Operating temperature: **5° + 45° C**

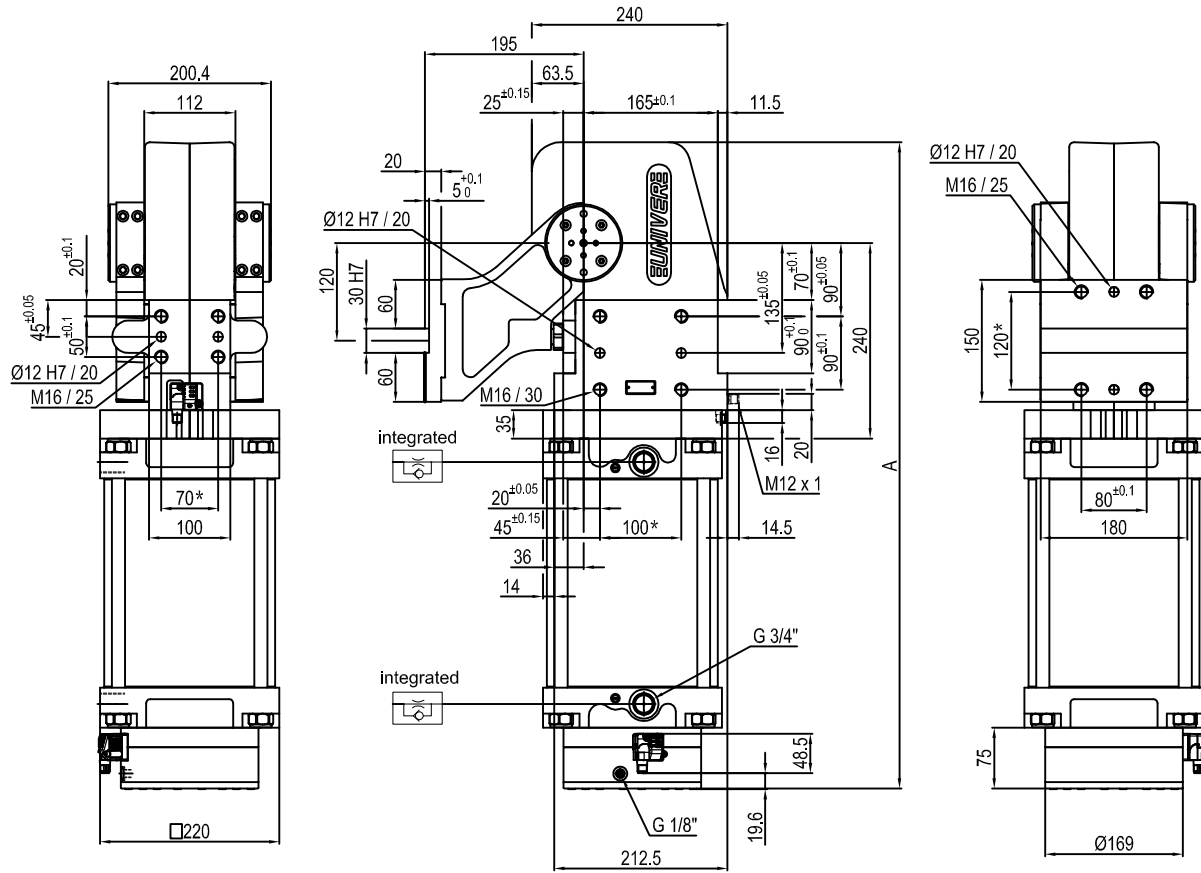
Predetermine pivot rotation in degrees: **45° - 60°**

Electronic sensor with M12 swivel connector that can be orientated at 0° or 90°

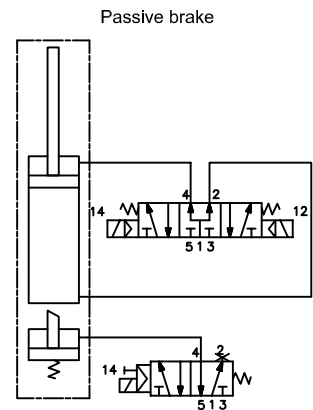
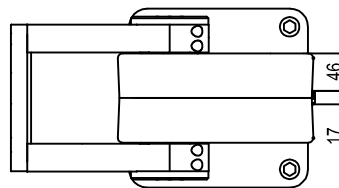
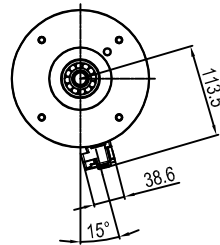
Supply voltage: 10±30 Vdc

IP code: **IP 65**

* : TOLERANCE BETWEEN DOWEL HOLES ± 0.02, TO SCREW HOLES ± 0.1



Pivot rotation in degrees	A
45°	702
60°	718
90°	755
120°	794



Size	Holding moment	Max. torque at the rotary table 0,55 MPa	Weight
600	8000 Nm	600 Nm	59,7 Kg

Min./Max. operating pressure: 0,4 / 0,6 MPa

Operating temperature: 5° + 45° C

Predetermine pivot rotation in degrees: 45° - 60° - 90° - 120°

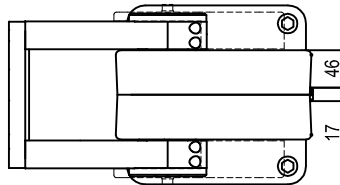
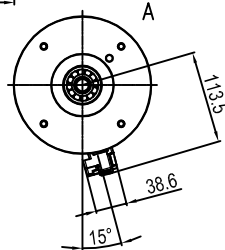
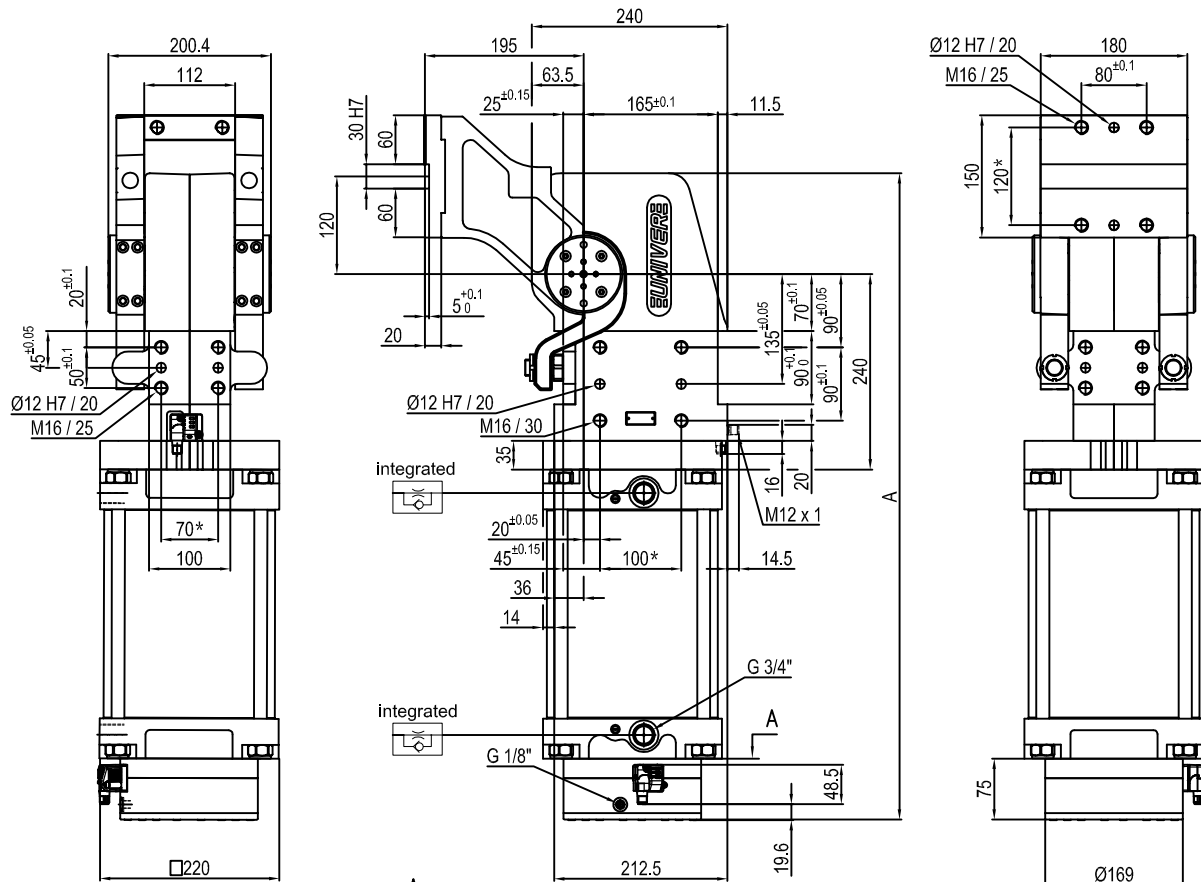
Electronic sensor with M12 swivel connector that can be orientated at 0° or 90°

Supply voltage: 10+30 Vdc

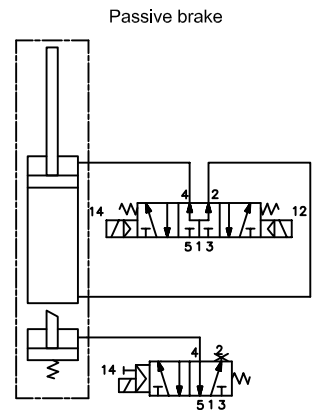
IP code: IP 65

* : TOLERANCE BETWEEN DOWEL HOLES ± 0.02, TO SCREW HOLES ± 0.1

Pneumatic power pivot



Pivot rotation in degrees	A
45°	702
60°	718
90°	755
120°	794

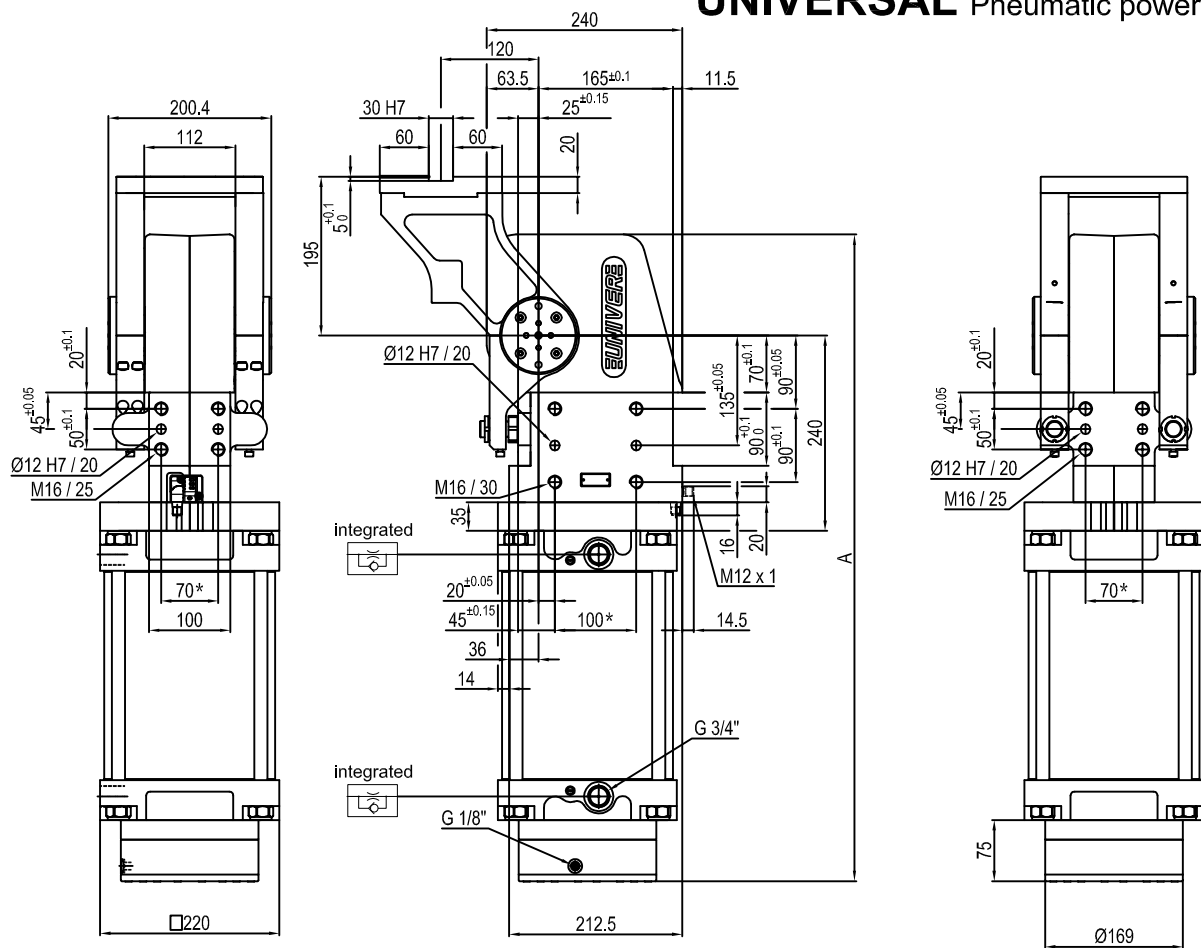


Size	Holding moment	Max. torque at the rotary table 0,55 MPa	Weight
600	8000 Nm	600 Nm	59.7Kg

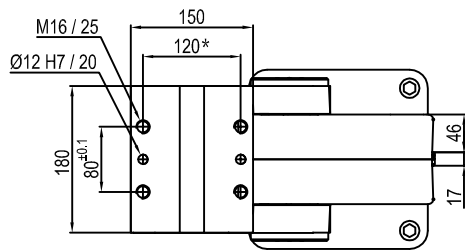
Min./Max. operating pressure: **0,4 / 0,6 MPa**
 Operating temperature: **5° + 45° C**
 Predetermine pivot rotation in degrees: **45° - 60° - 90° - 120°**
 Electronic sensor with M12 swivel connector that can be orientated at 0° or 90°
 Supply voltage: 10+30 Vdc
 IP code: **IP 65**

* : TOLERANCE BETWEEN DOWEL HOLES ± 0.02, TO SCREW HOLES ± 0.1

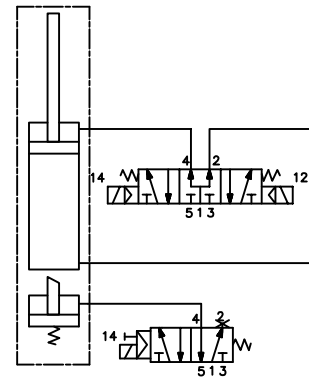
UNIVERSAL Pneumatic power pivot



Pivot rotation in degrees	A
45°	702
60°	718
90°	755
120°	794



Passive brake



Size	Holding moment	Max. torque at the rotary table 0,55 MPa	Weight
600	8000 Nm	600 Nm	59.7 Kg

Min./Max. operating pressure: 0,4 / 0,6 MPa

Operating temperature: 5° + 45° C

Predetermine pivot rotation in degrees: 45° - 60° - 90° - 120°

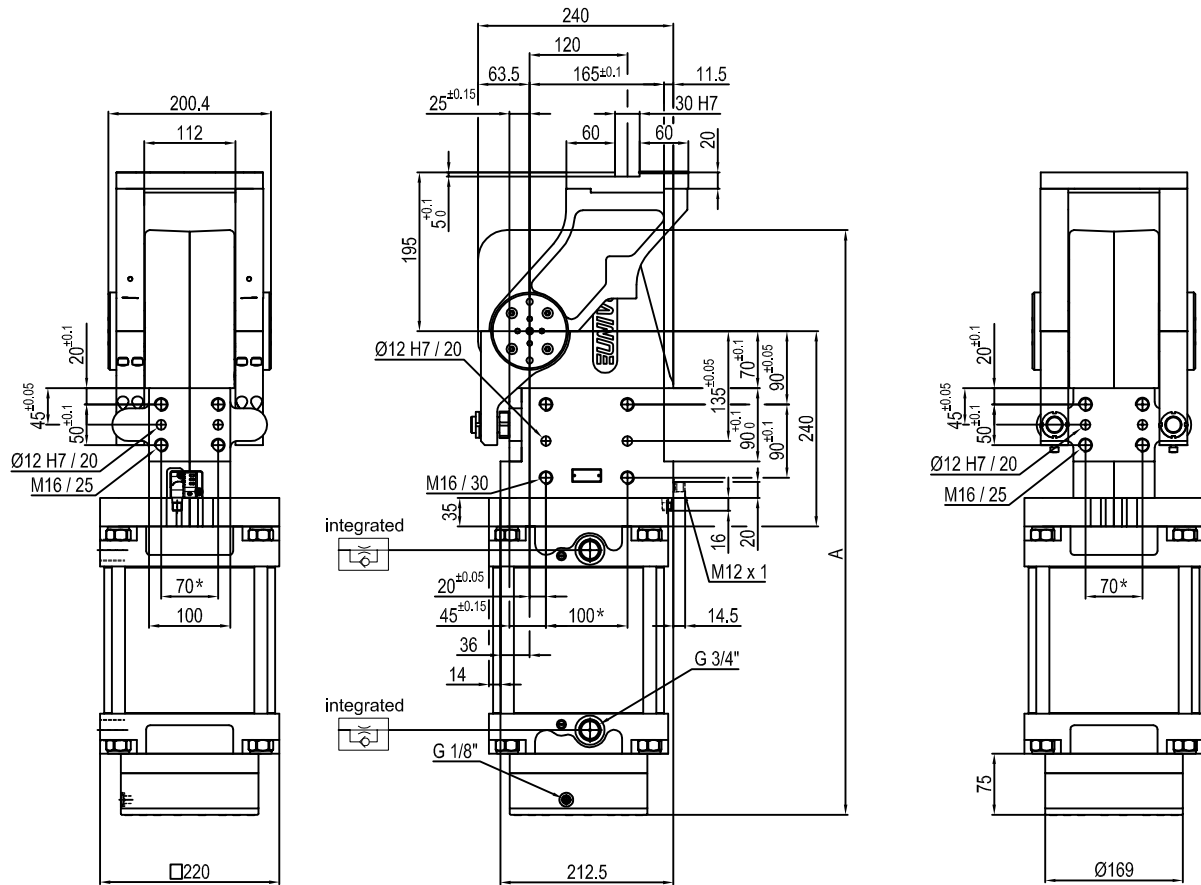
Electronic sensor with M12 swivel connector that can be orientated at 0° or 90°

Supply voltage: 10÷30 Vdc

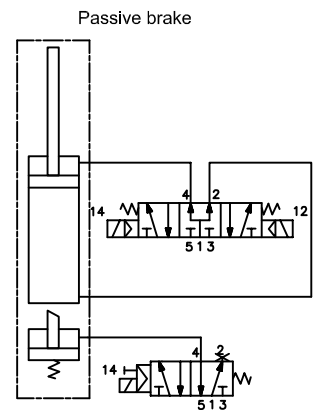
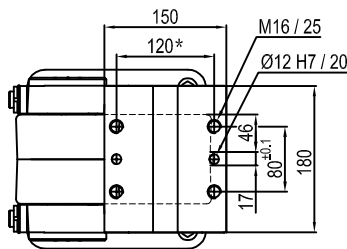
IP code: IP 65

* : TOLERANCE BETWEEN DOWEL HOLES ± 0.02, TO SCREW HOLES ± 0.1

Subject to technical modifications without notice.



Pivot rotation in degrees	A
45°	702
60°	718



Size	Holding moment	Max. torque at the rotary table 0,55 MPa	Weight
600	8000 Nm	600 Nm	59.7 Kg

Min./Max. operating pressure: 0,4 / 0,6 MPa

Operating temperature: 5° + 45° C

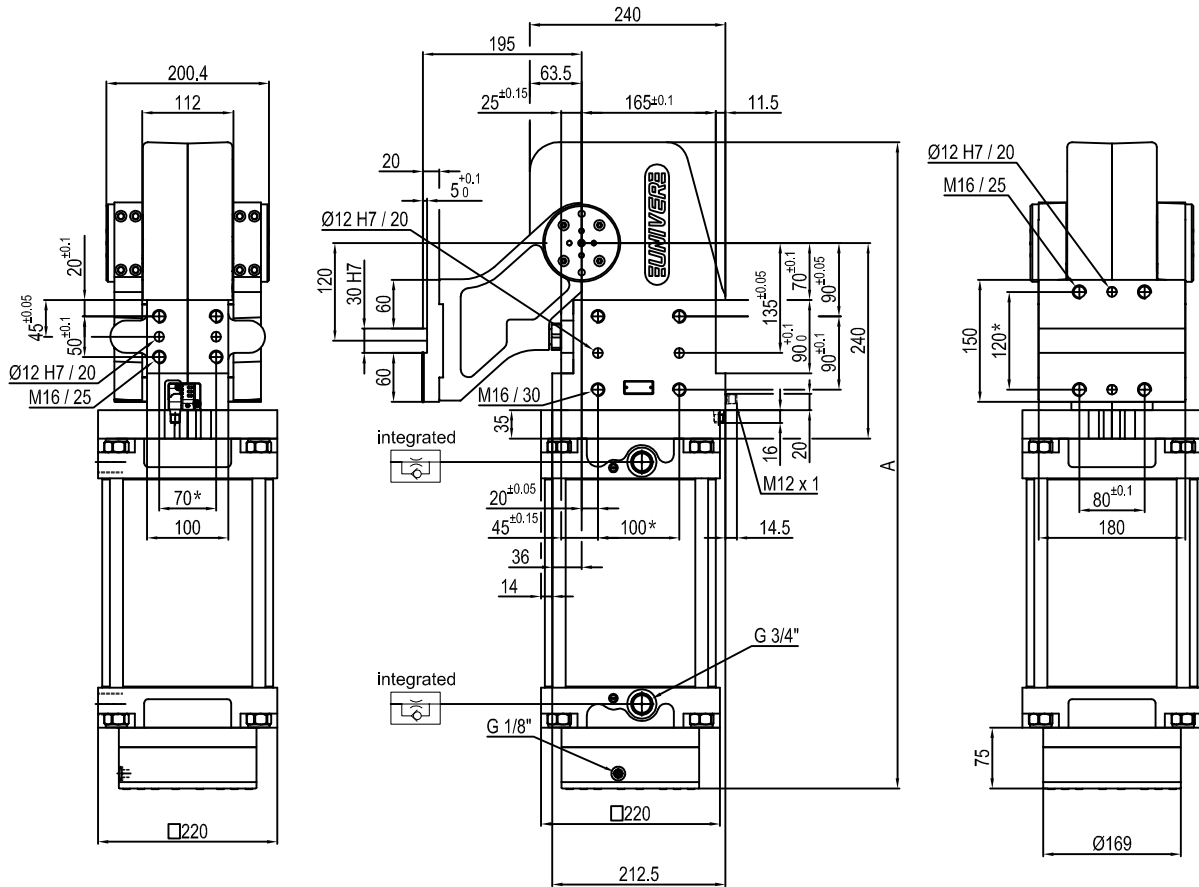
Predeterminate pivot rotation in degrees: 45° - 60°

Electronic sensor with M12 swivel connector that can be orientated at 0° or 90°

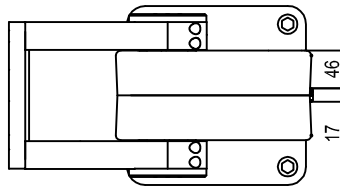
Supply voltage: 10÷30 Vdc

IP code: IP 65

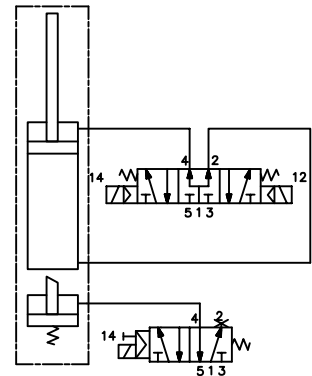
* : TOLERANCE BETWEEN DOWEL HOLES ± 0.02, TO SCREW HOLES ± 0.1



Pivot rotation in degrees	A
45°	702
60°	718
90°	755
120°	794



Passive brake



Size	Holding moment	Max. torque at the rotary table 0,55 MPa	Weight
600	8000 Nm	600 Nm	59.7 Kg

Min./Max. operating pressure: 0,4 / 0,6 MPa

Operating temperature: 5° + 45° C

Predetermine pivot rotation in degrees: 45° - 60° - 90° - 120°

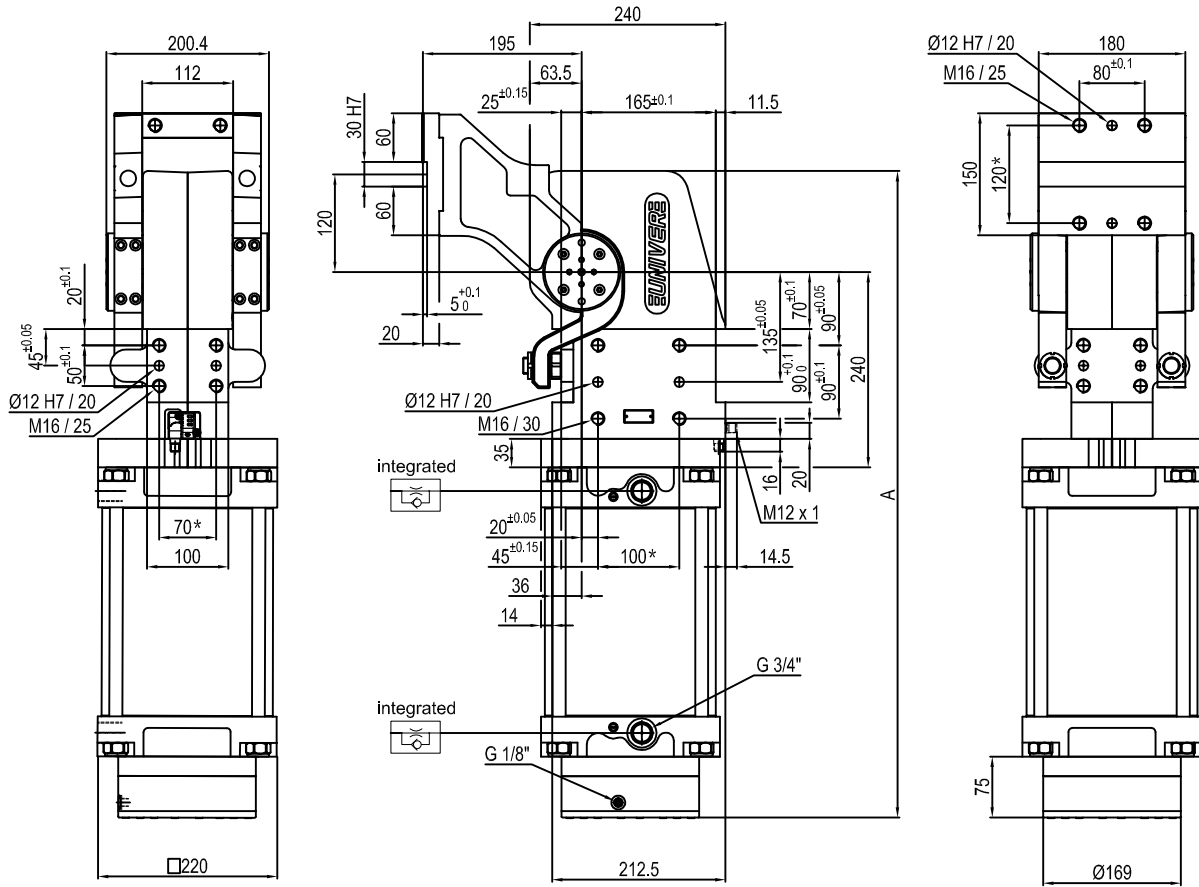
Electronic sensor with M12 swivel connector that can be orientated at 0° or 90°

Supply voltage: 10÷30 Vdc

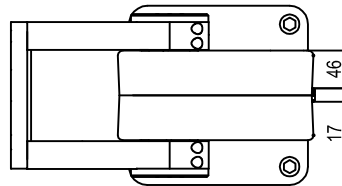
IP code: IP 65

* : TOLERANCE BETWEEN DOWEL HOLES ± 0.02, TO SCREW HOLES ± 0.1

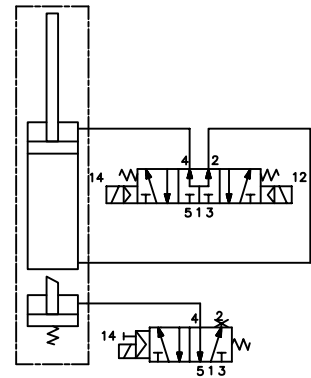
Pneumatic power pivot



Pivot rotation in degrees	A
45°	702
60°	718
90°	755
120°	794



Passive brake



Size	Holding moment	Max. torque at the rotary table 0,55 MPa	Weight
600	8000 Nm	600 Nm	59.7 Kg

Min./Max. operating pressure: 0,4 / 0,6 MPa

Operating temperature: 5° + 45° C

Predetermine pivot rotation in degrees: 45° - 60° - 90° - 120°

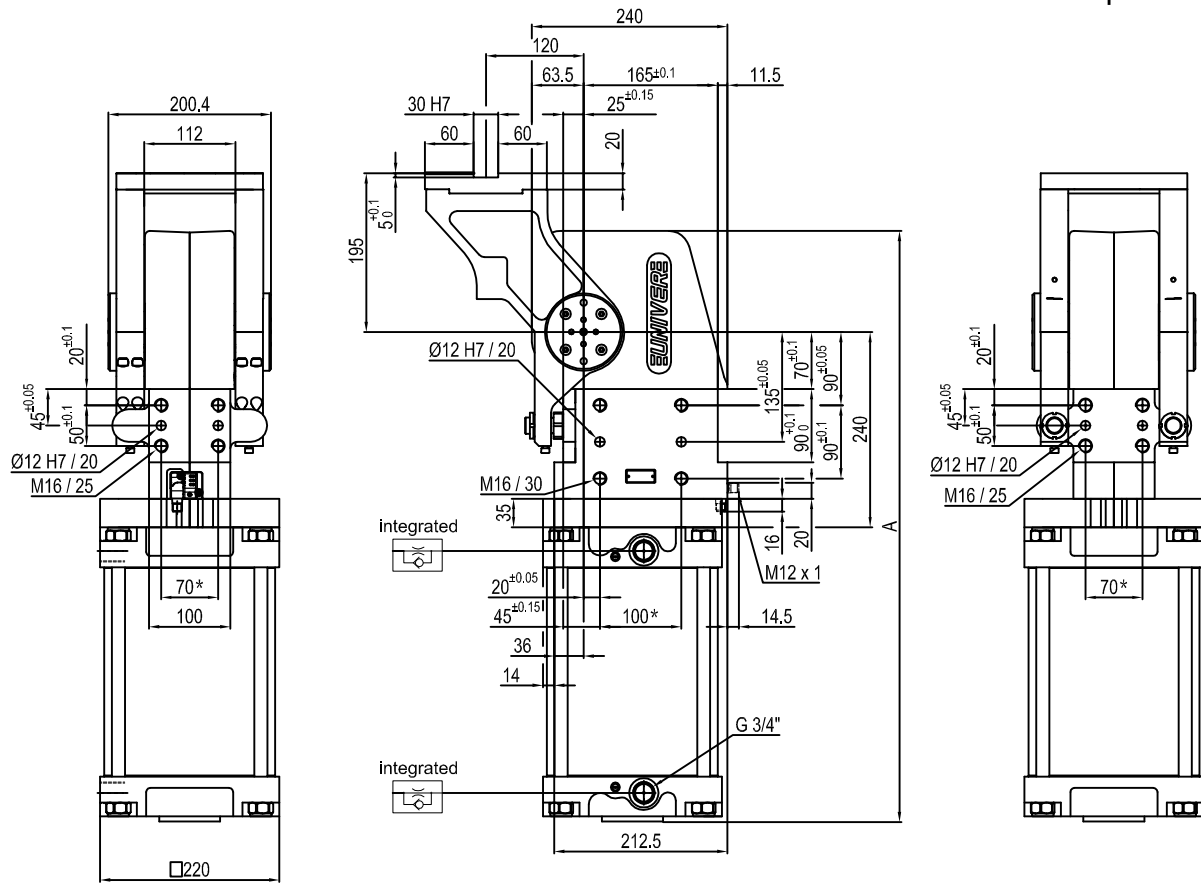
Electronic sensor with M12 swivel connector that can be orientated at 0° or 90°

Supply voltage: 10÷30 Vdc

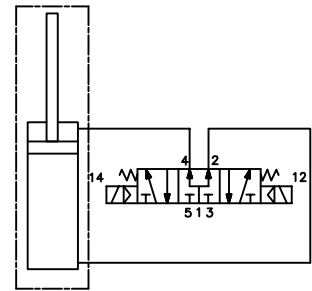
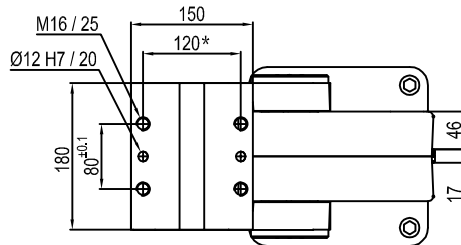
IP code: IP 65

* : TOLERANCE BETWEEN DOWEL HOLES ± 0.02, TO SCREW HOLES ± 0.1

Subject to technical modifications without notice.



Pivot rotation in degrees	A
45°	633
60°	649
90°	686
120°	725



Size	Holding moment	Max. torque at the rotary table 0,55 MPa	Weight
600	8000 Nm	600 Nm	53.8 Kg

Min./Max. operating pressure: **0,4 / 0,6 MPa**

Operating temperature: **5° + 45° C**

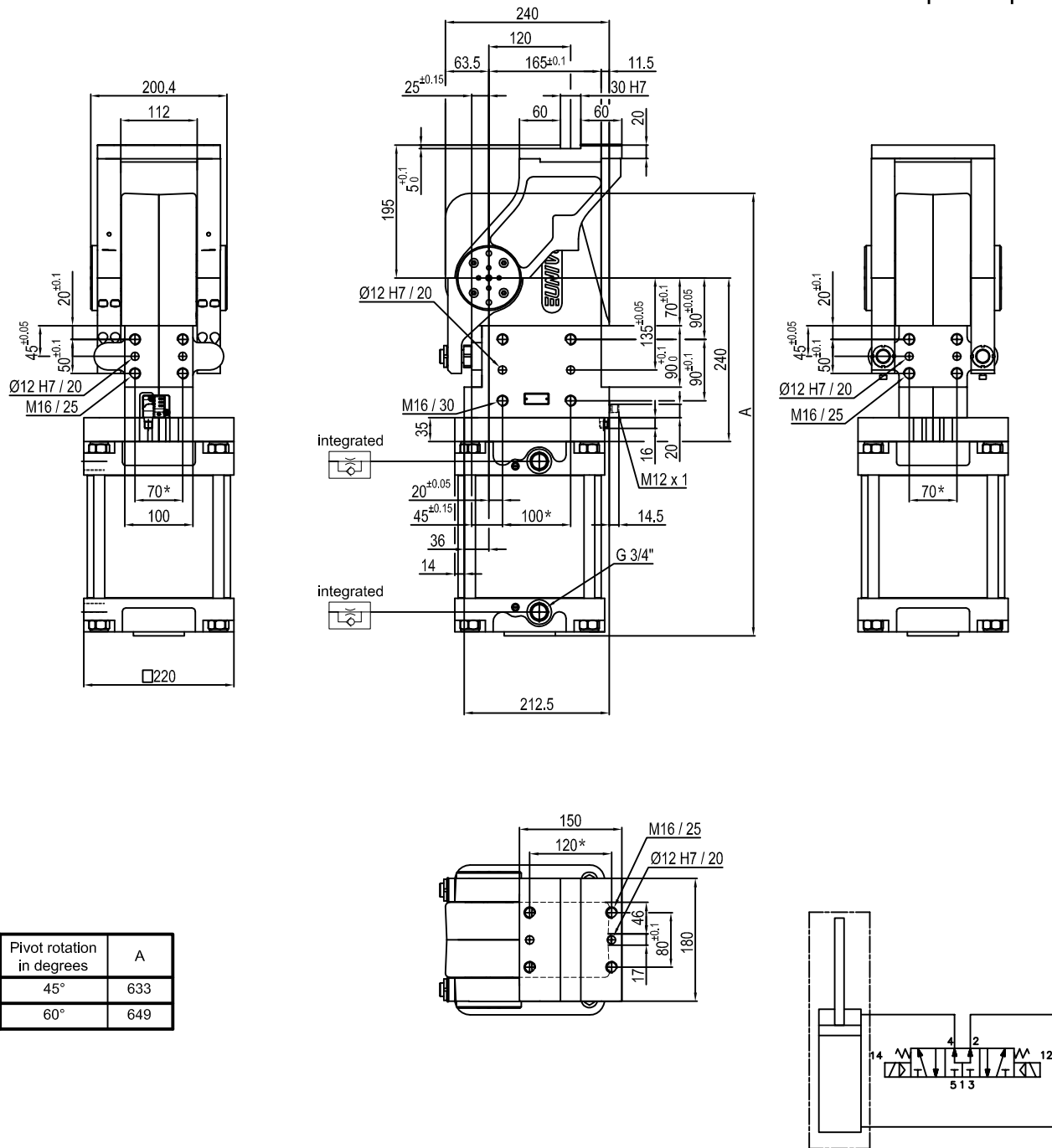
Predetermine pivot rotation in degrees: **45° - 60° - 90° - 120°**

Electronic sensor with M12 swivel connector that can be orientated at 0° or 90°

Supply voltage: 10÷30 Vdc

IP code: **IP 65**

* : TOLERANCE BETWEEN DOWEL HOLES ± 0.02, TO SCREW HOLES ± 0.1



Pivot rotation in degrees	A
45°	633
60°	649

Size	Holding moment	Max. torque at the rotary table 0,55 MPa	Weight
600	8000 Nm	600 Nm	53.8 Kg

Min./Max. operating pressure: **0,4 / 0,6 MPa**

Operating temperature: **5° ± 45° C**

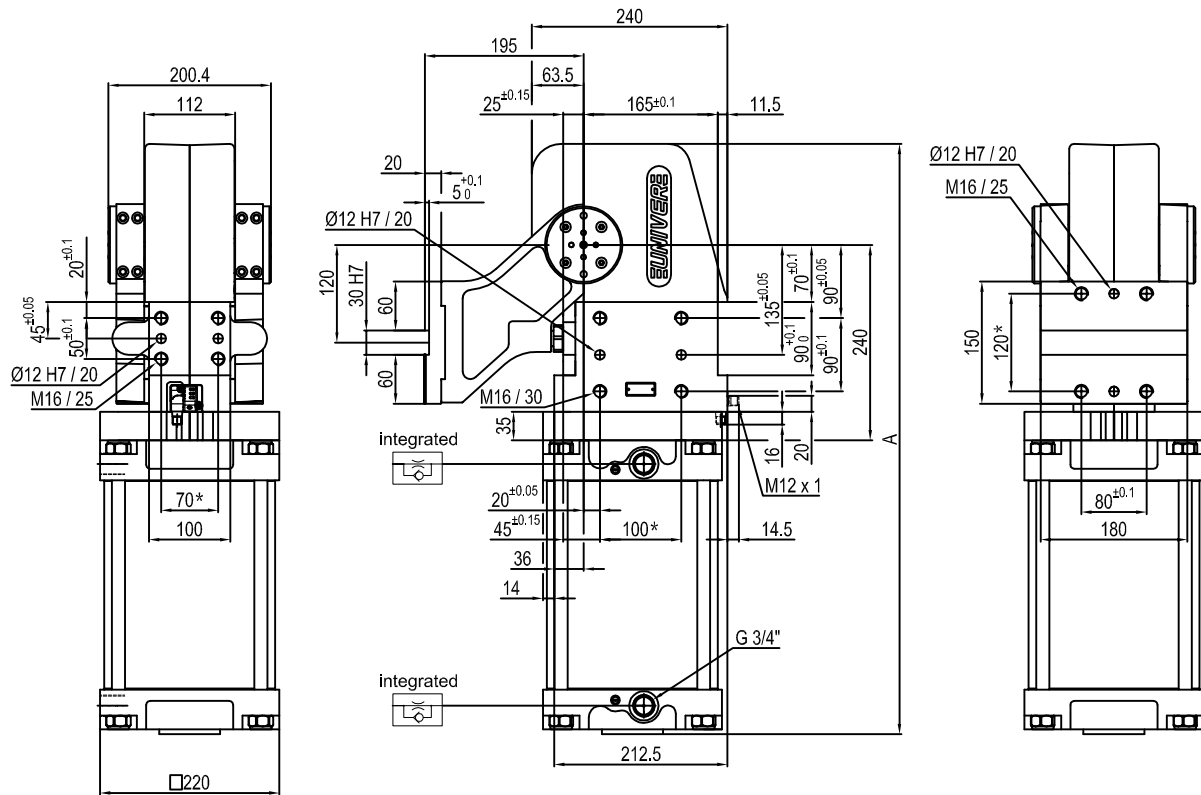
Predetermine pivot rotation in degrees: **45° - 60°**

Electronic sensor with M12 swivel connector that can be orientated at 0° or 90°

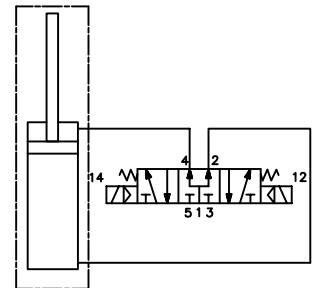
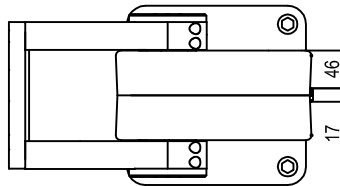
Supply voltage: 10÷30 Vdc

IP code: **IP 65**

* : TOLERANCE BETWEEN DOWEL HOLES ± 0.02, TO SCREW HOLES ± 0.1



Pivot rotation in degrees	A
45°	633
60°	649
90°	686
120°	725



Size	Holding moment	Max. torque at the rotary table 0,55 MPa	Weight
600	8000 Nm	600 Nm	53.8 Kg

Min./Max. operating pressure: **0,4 / 0,6 MPa**

Operating temperature: **5° ± 45° C**

Predetermine pivot rotation in degrees: **45° - 60° - 90° - 120°**

Electronic sensor with M12 swivel connector that can be orientated at 0° or 90°

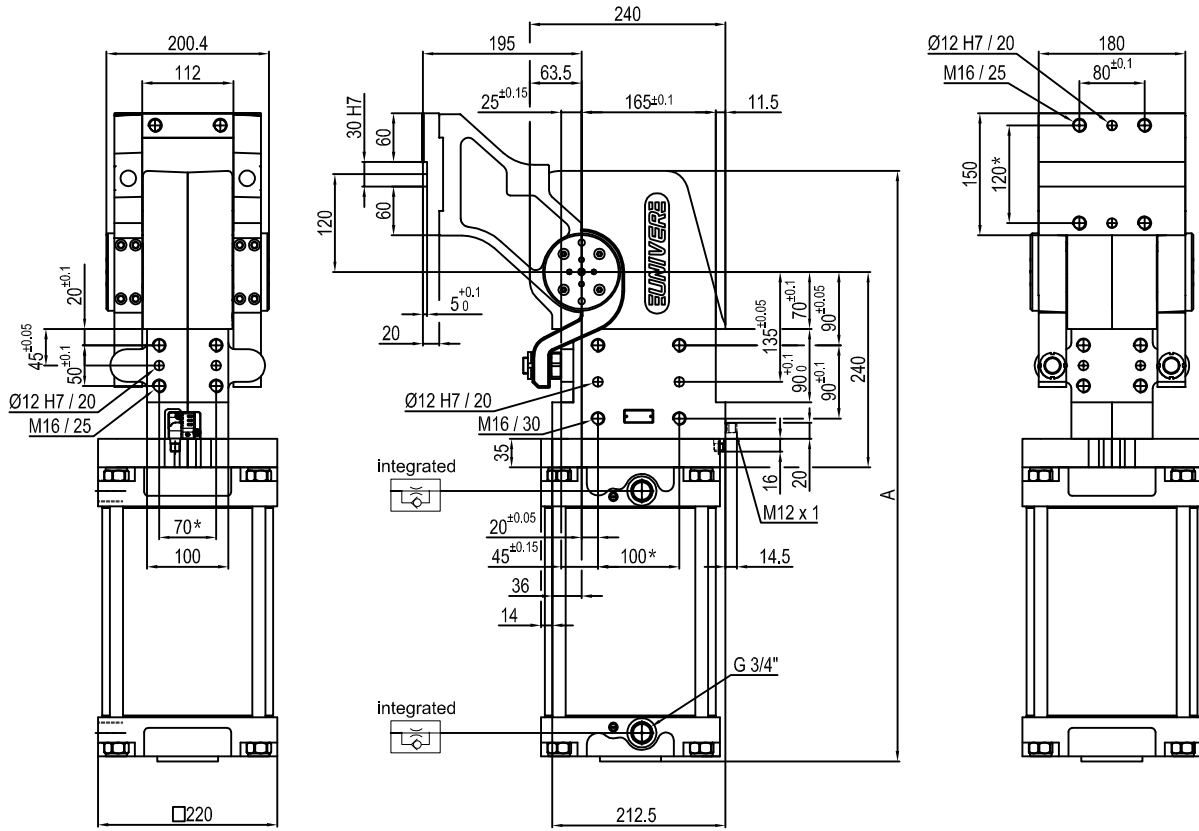
Supply voltage: 10÷30 Vdc

IP code: **IP 65**

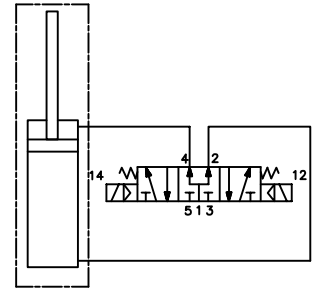
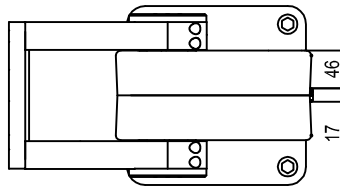
* : TOLERANCE BETWEEN DOWEL HOLES ± 0.02, TO SCREW HOLES ± 0.1

Subject to technical modifications without notice.

Pneumatic power pivot



Pivot rotation in degrees	A
45°	633
60°	649
90°	686
120°	725



Size	Holding moment	Max. torque at the rotary table 0,55 MPa	Weight
600	8000 Nm	600 Nm	54 Kg

Min./Max. operating pressure: **0,4 / 0,6 MPa**

Operating temperature: **5° ± 45° C**

Predetermine pivot rotation in degrees: **45° - 60° - 90° - 120°**

Vertical arm mount position

Electronic sensor with M12 swivel connector that can be orientated at 0° or 90°

Supply voltage: 10÷30 Vdc

IP code: **IP 65**

* : TOLERANCE BETWEEN DOWEL HOLES ± 0.02, TO SCREW HOLES ± 0.1