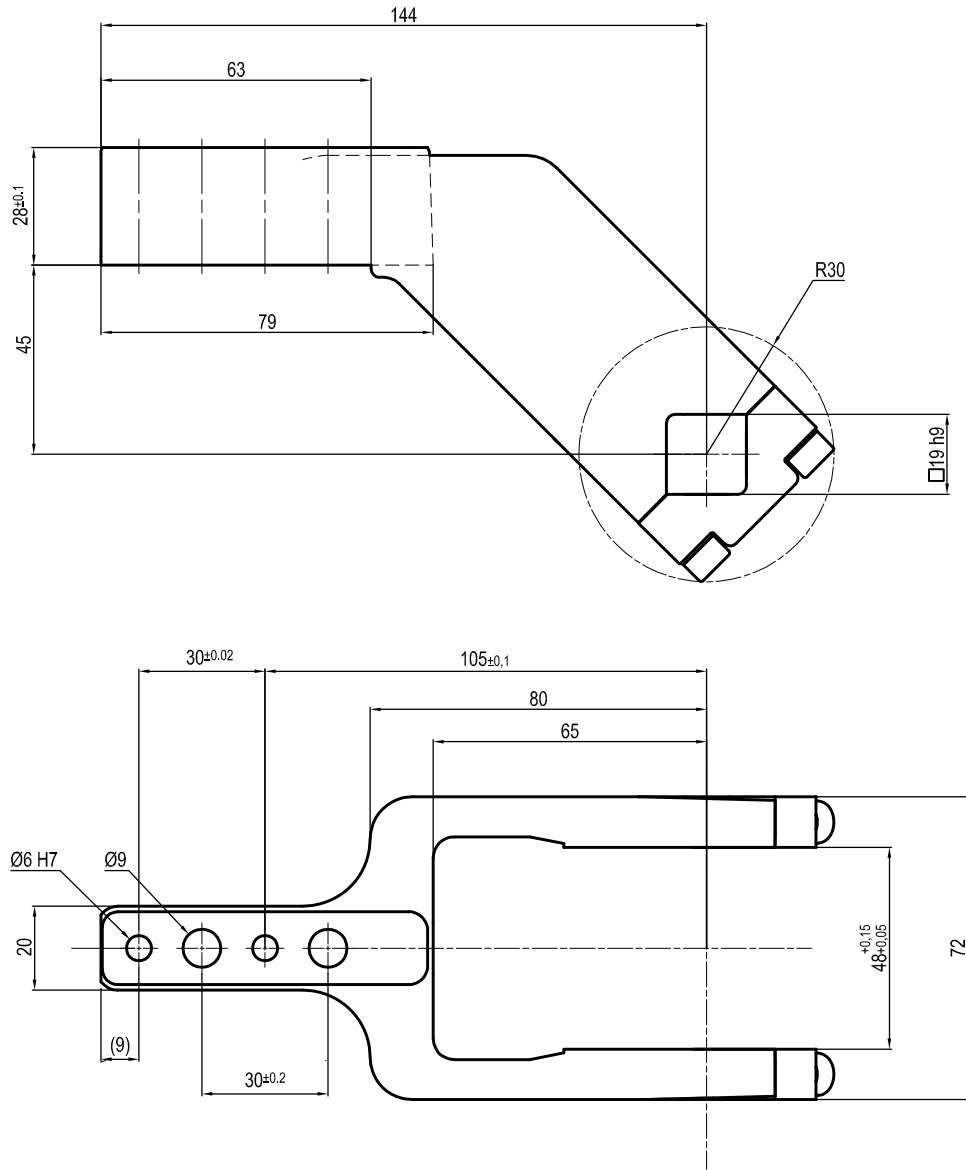


UKP5063E

□ 19 mm - offset 45 mm



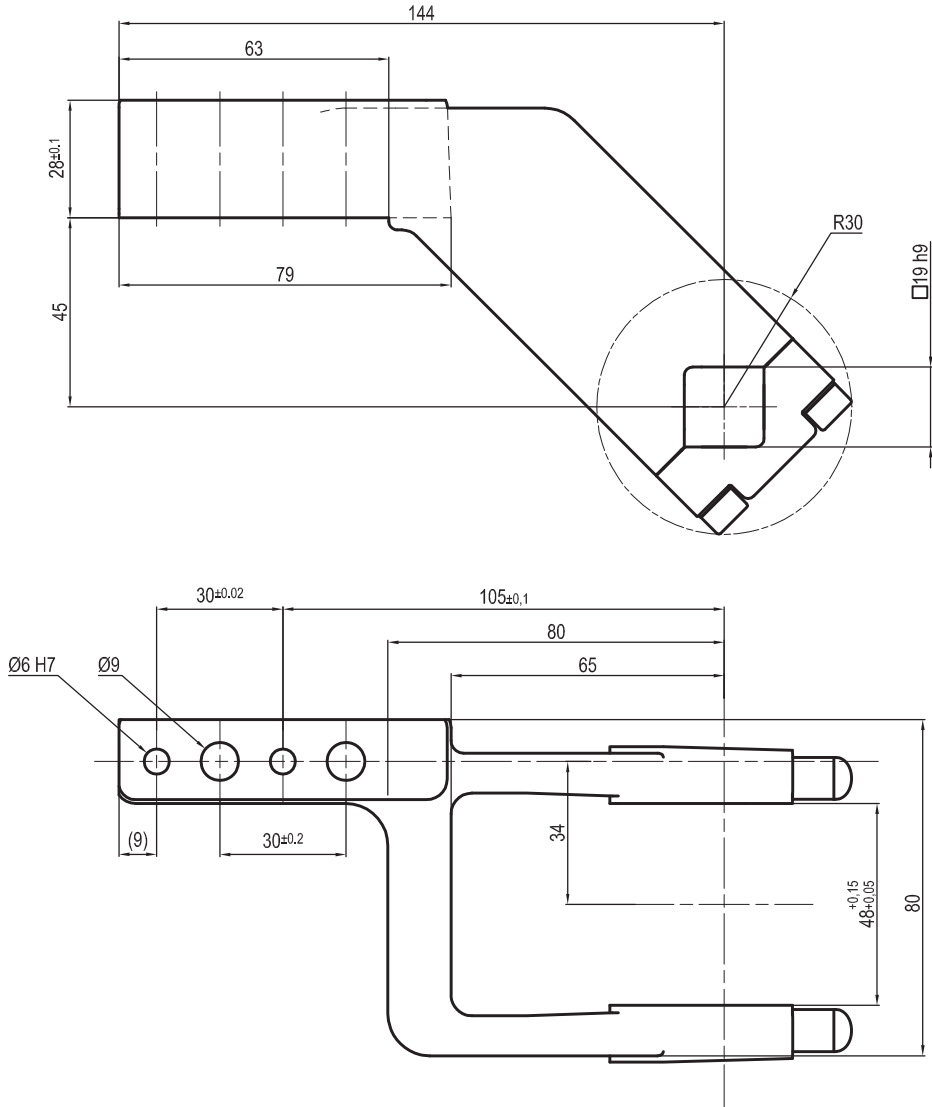
Clamp size	Material	Weight
50/63 mm	Aluminium	0,45 Kg

THE CLAMPING ARM INCLUDES THE NECESSARY SCREWS

Subject to technical modifications without notice

UKP50F

□ 19 mm - offset 45 mm



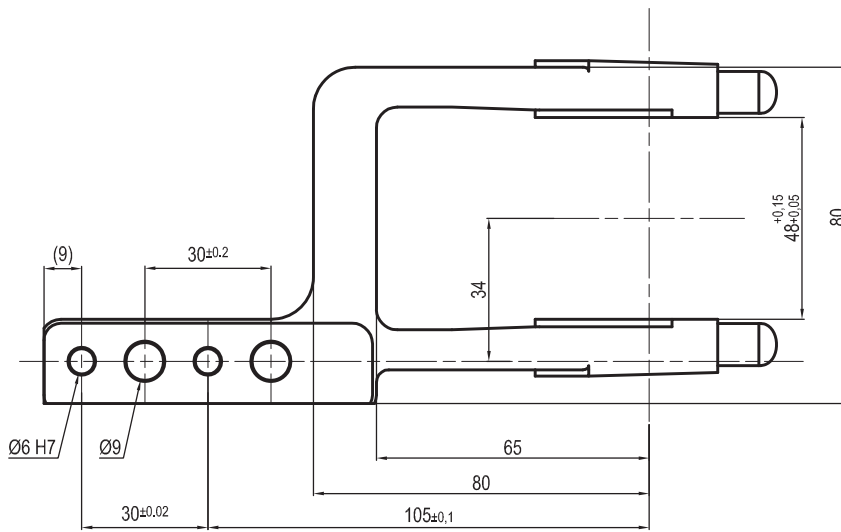
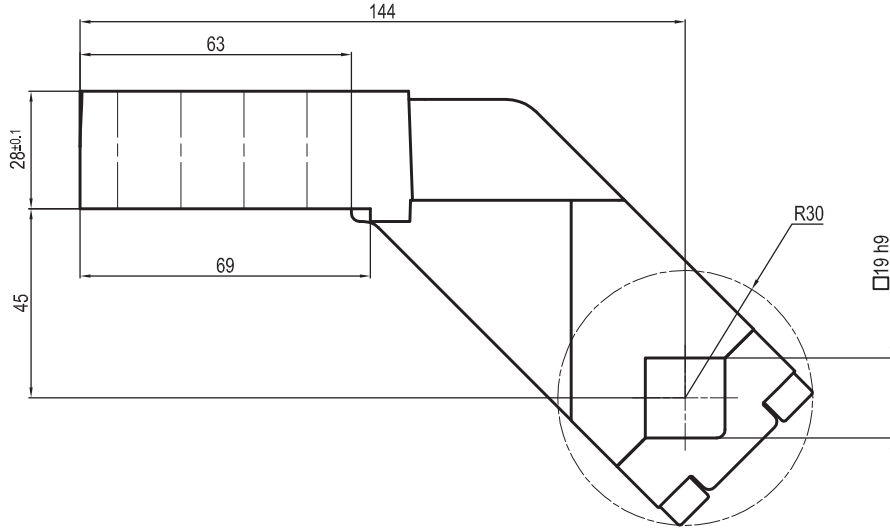
Clamp size	Material	Weight
50 mm	Aluminium	0,45 Kg

THE CLAMPING ARM INCLUDES THE NECESSARY SCREWS

Subject to technical modifications without notice

UKP50L

□ 19 mm - offset 45 mm



Clamp size	Material	Weight
50 mm	Aluminium	0,45 Kg

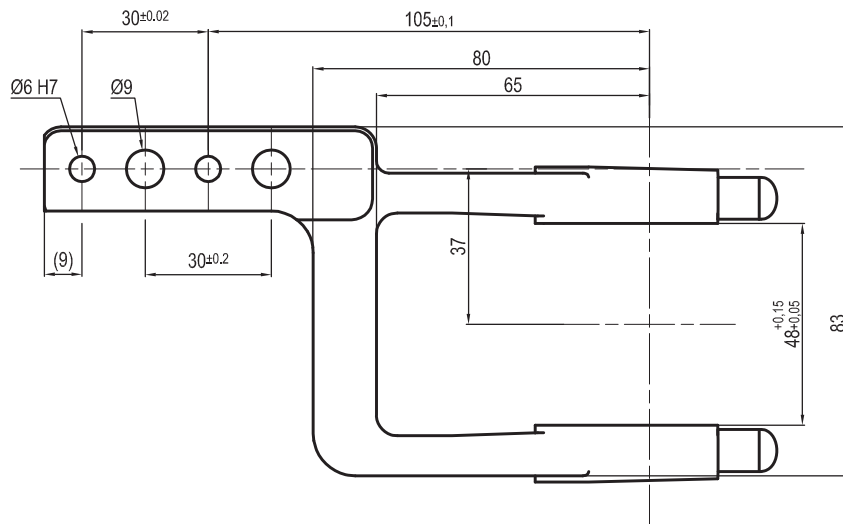
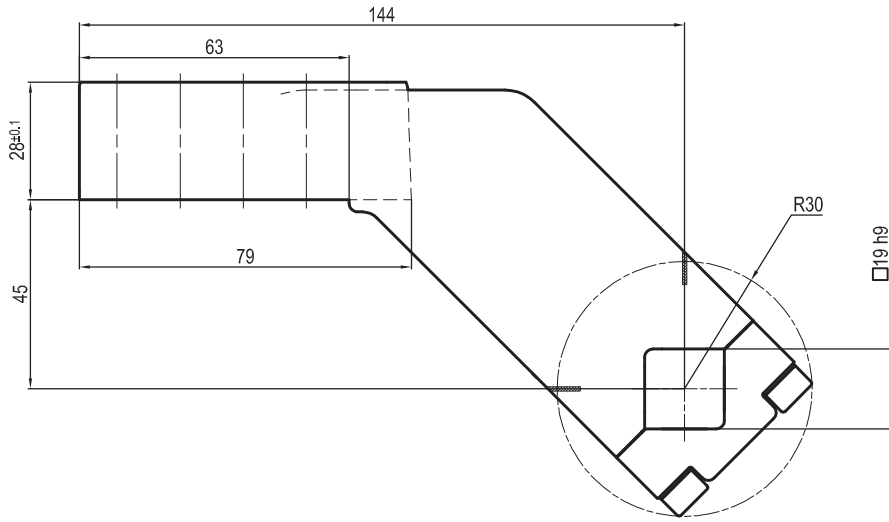
THE CLAMPING ARM INCLUDES THE NECESSARY SCREWS

Subject to technical modifications without notice

Rev. 01 15.07.16

UKP63F

□ 19 mm - offset 45 mm



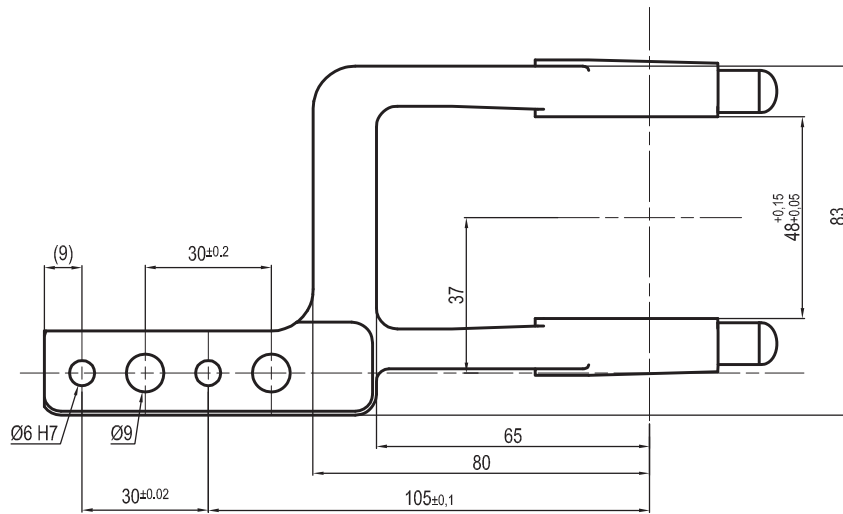
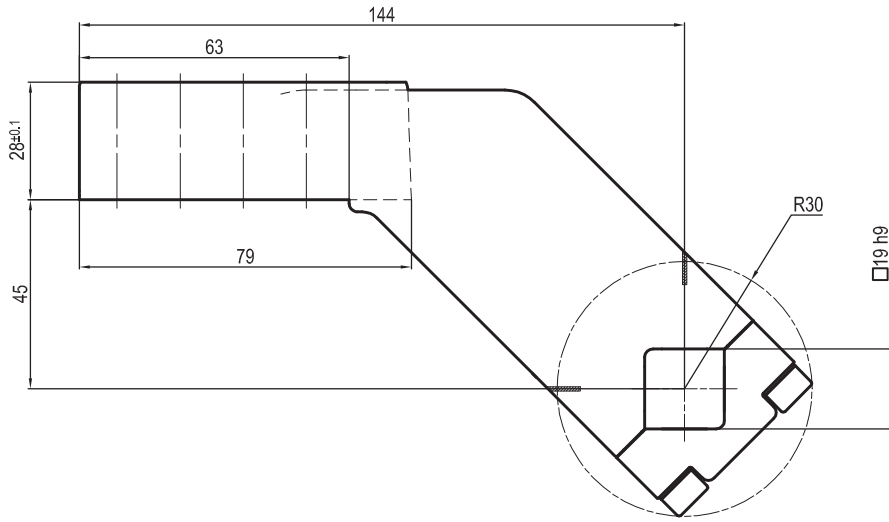
Clamp size	Material	Weight
63 mm	Aluminium	0,45 Kg

THE CLAMPING ARM INCLUDES THE NECESSARY SCREWS

Subject to technical modifications without notice

UKP63L

□ 19 mm - offset 45 mm



Clamp size	Material	Weight
63 mm	Aluminium	0,45 Kg

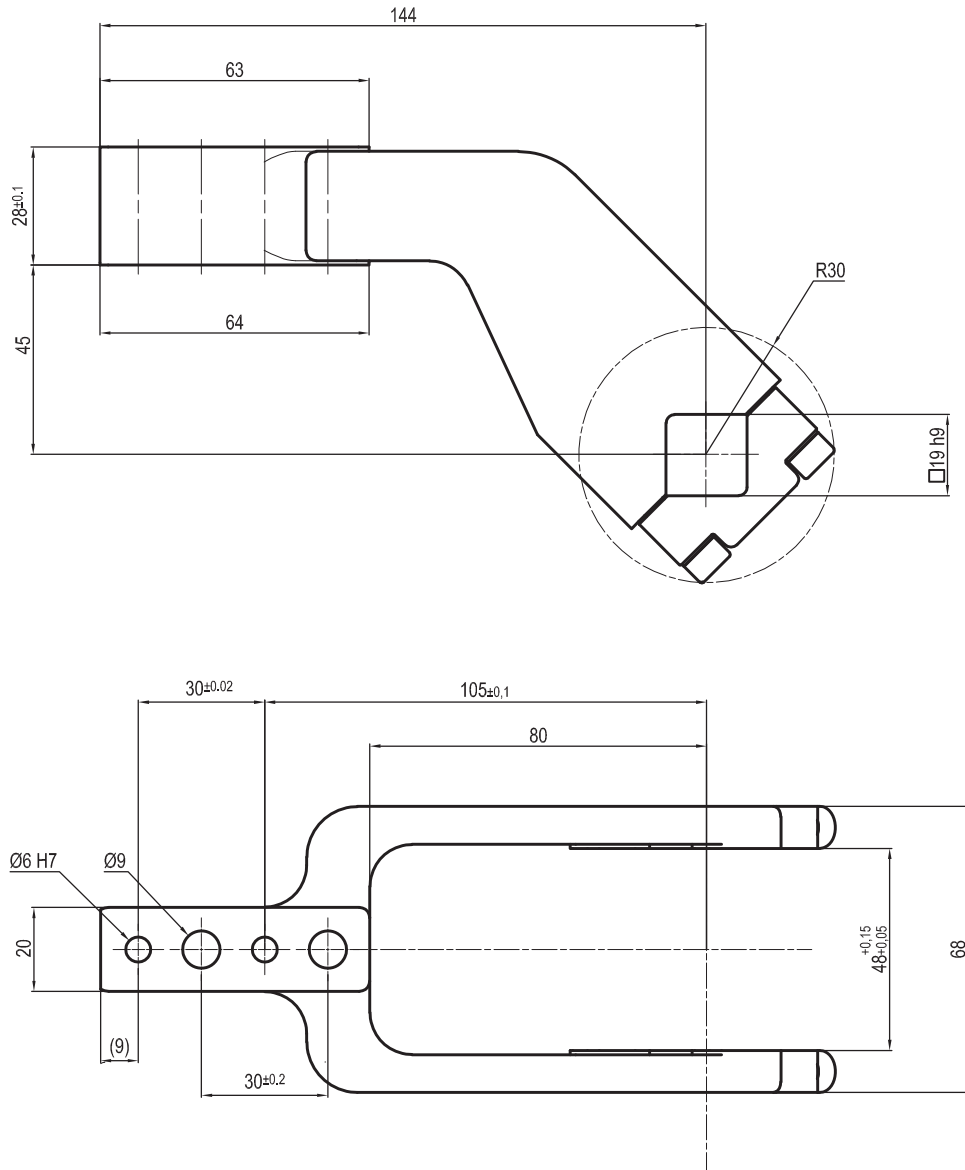
THE CLAMPING ARM INCLUDES THE NECESSARY SCREWS

Subject to technical modifications without notice

Rev. 01 15.07.16

UKP5063ES

□ 19 mm - offset 45 mm



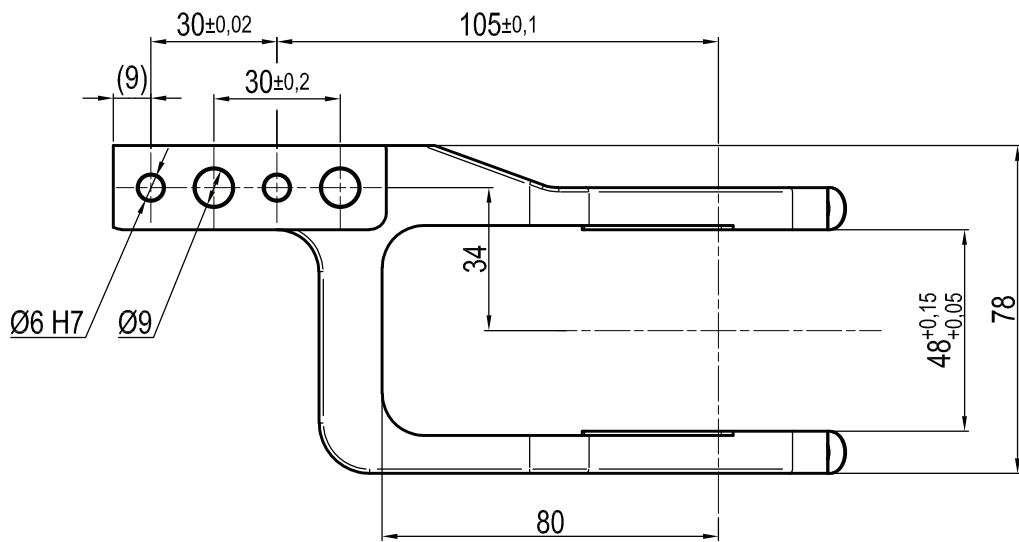
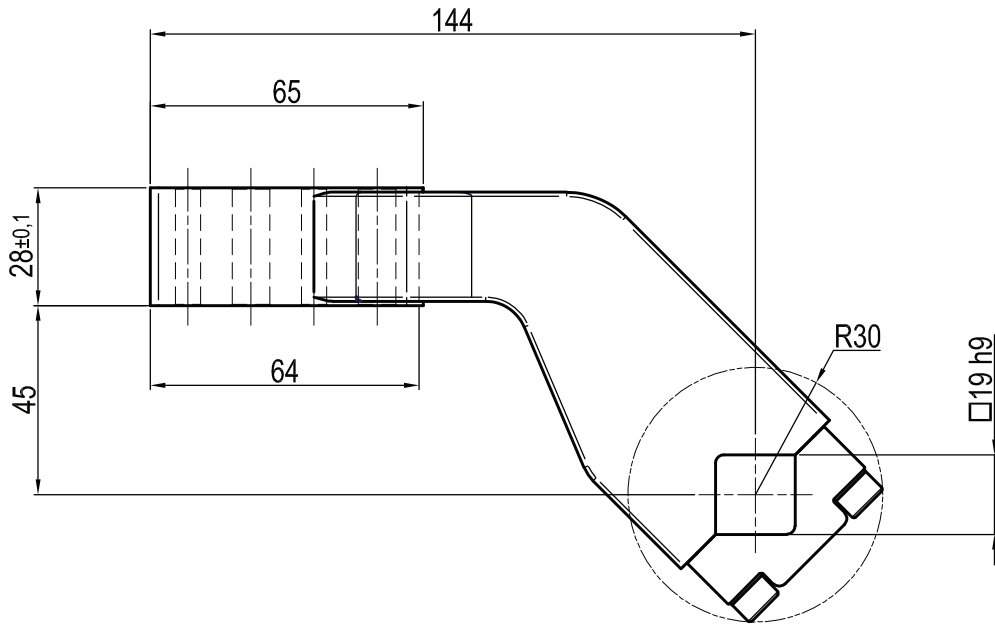
Clamp size	Material	Weight
50/63 mm	Steel	0,92 Kg

THE CLAMPING ARM INCLUDES THE NECESSARY SCREWS

Subject to technical modifications without notice

UKP50FS

□ 19 mm - offset 45 mm



Clamp size	Material	Weight
50 mm	Steel	1,16 Kg

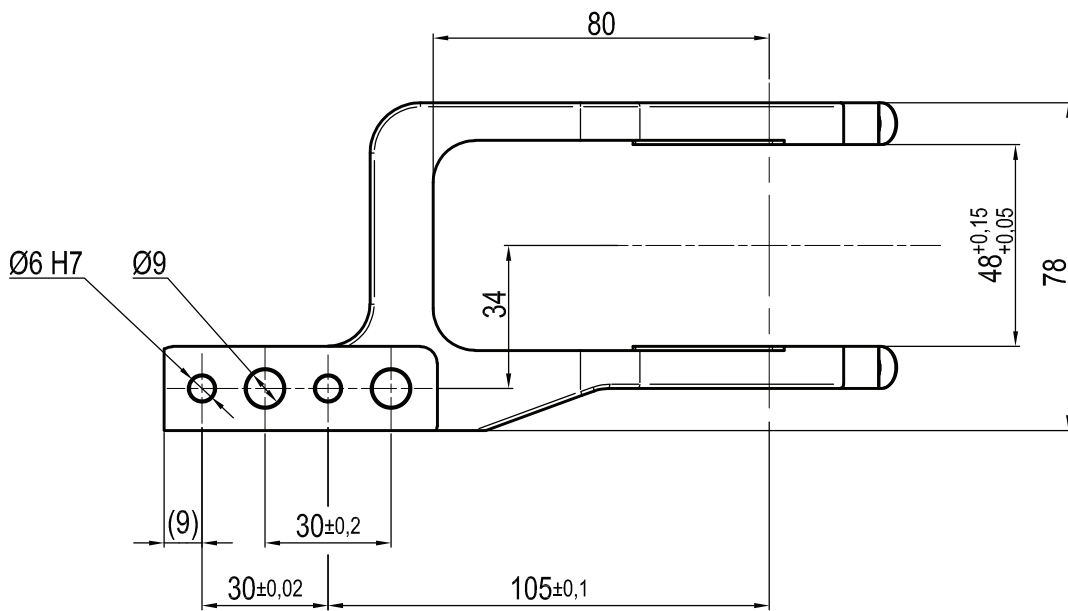
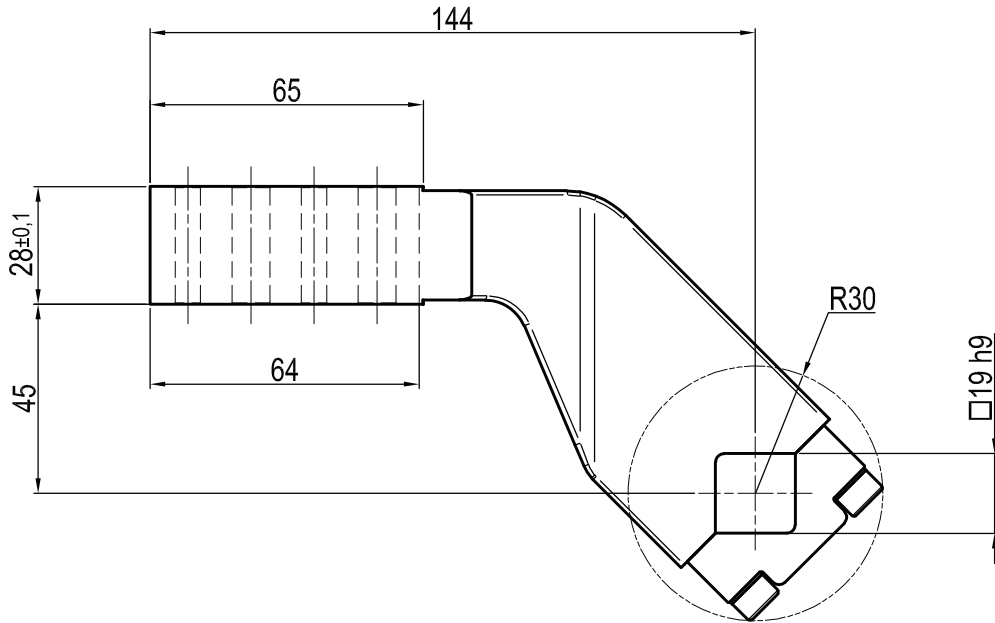
THE CLAMPING ARM INCLUDES THE NECESSARY SCREWS

Subject to technical modifications without notice

Rev. 00 16.07.20

UKP50LS

□ 19 mm - offset 45 mm



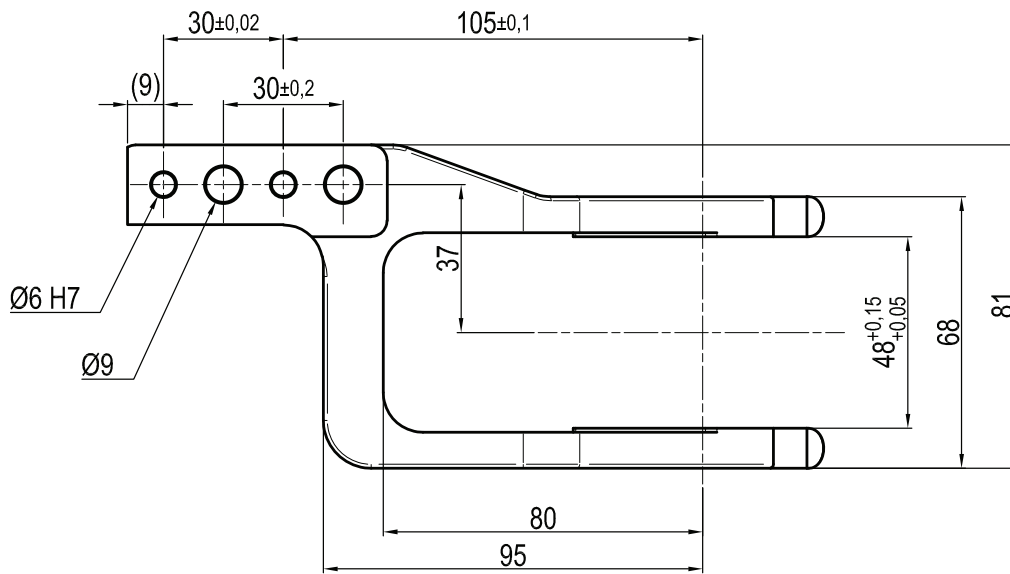
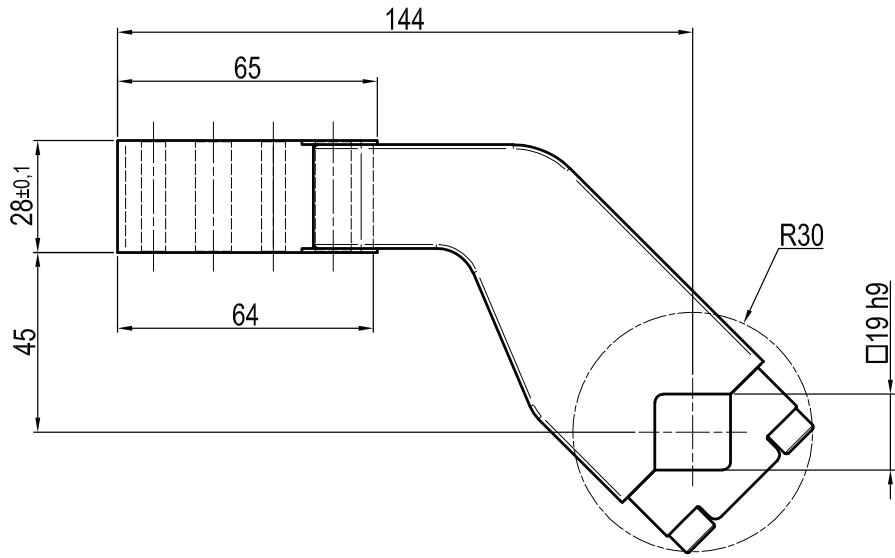
Clamp size	Material	Weight
50 mm	Steel	1,16 Kg

THE CLAMPING ARM INCLUDES THE NECESSARY SCREWS

Subject to technical modifications without notice

UKP63FS

□ 19 mm - offset 45 mm



Clamp size	Material	Weight
63 mm	Steel	1,2 Kg

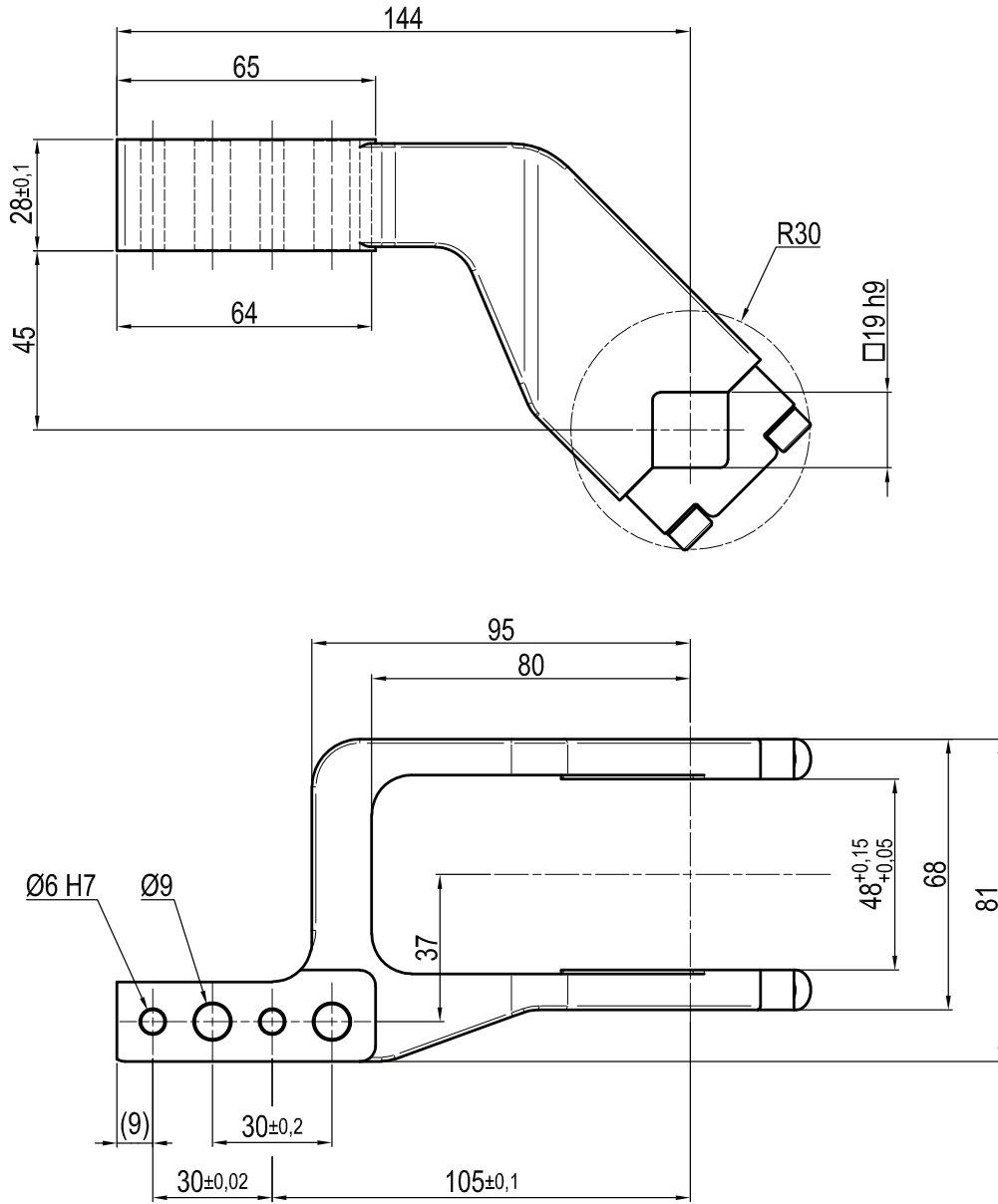
THE CLAMPING ARM INCLUDES THE NECESSARY SCREWS

Subject to technical modifications without notice

Rev. 00 24.07.20

UKP63LS

□ 19 mm - offset 45 mm



Clamp size	Material	Weight
63 mm	Steel	1,2 Kg

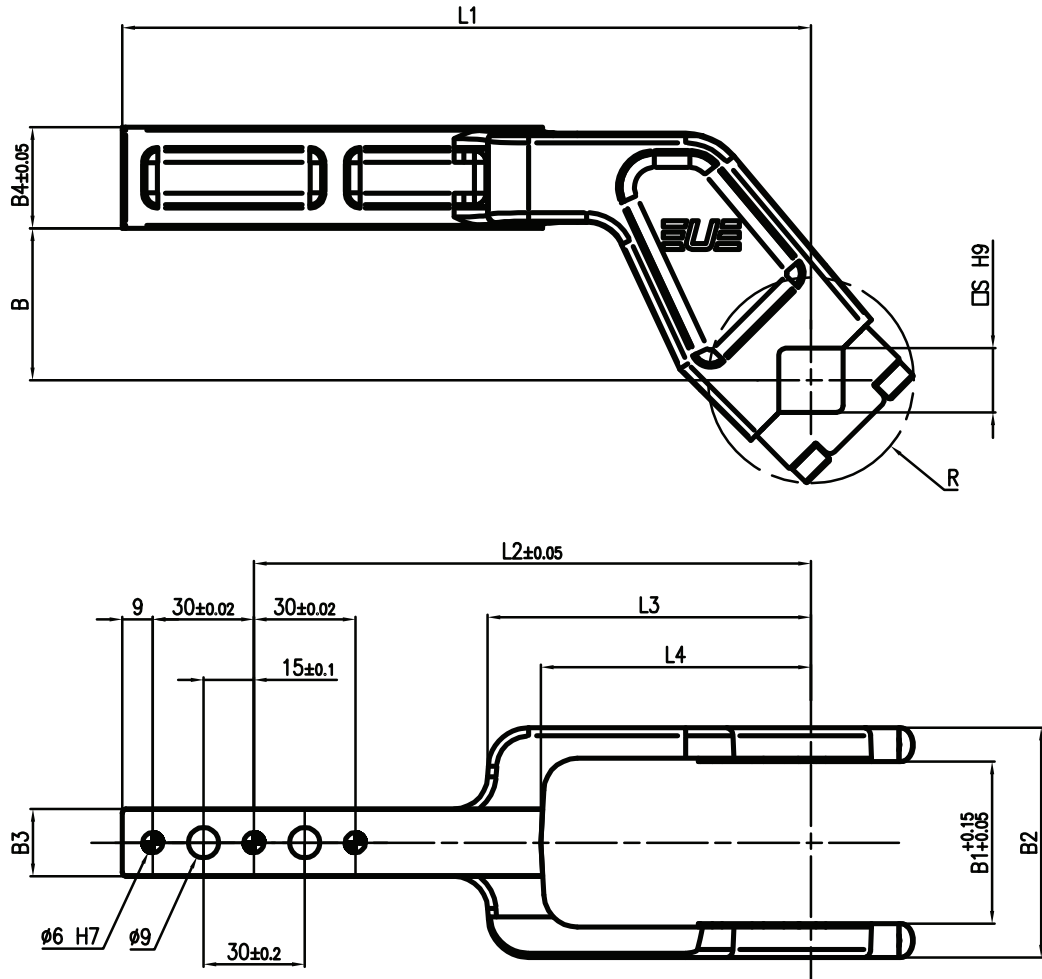
THE CLAMPING ARM INCLUDES THE NECESSARY SCREWS

Subject to technical modifications without notice

Rev. 00 24.07.20

LKP010-2321/2322

□ 19 mm - offset 45 mm



Part no.	B	B1	B2	B3	B4	L1	L2	L3	L4	R	S	Material
LKP010-2321	45	48	68	20	30	144	105	95	80	31	19	Steel
LKP010-2322	45	48	68	20	30	204	165	95	80	31	19	Steel