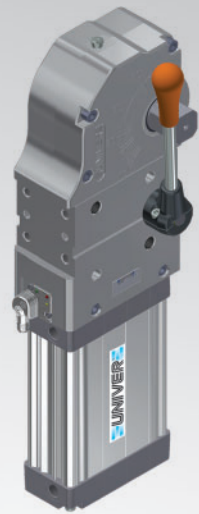


# UNM80

UNIVERSAL Power clamps with hand lever conforming to **NAAMS** Standard



U	N	M	8	0	N	N	K	N	H
1	2	3	4	5	6	7			



<b>1 Series</b>	<b>2 Version</b>	<b>3 Size</b>
-----------------	------------------	---------------

**UN** = UNIVERSAL Power clamps conforming to **NAAMS** Standard fully adjustable opening angle: 0° to 135° Max

**M** = Pneumatic with hand lever

**80** = Ø 80 mm

<b>4 Arm position</b>	<b>5 Square shaft</b>	<b>6 Sensor</b>
-----------------------	-----------------------	-----------------

**N** = No arm

**R** = Right side only

**N** = No sensor (with protection plate)

**L** = Left side only

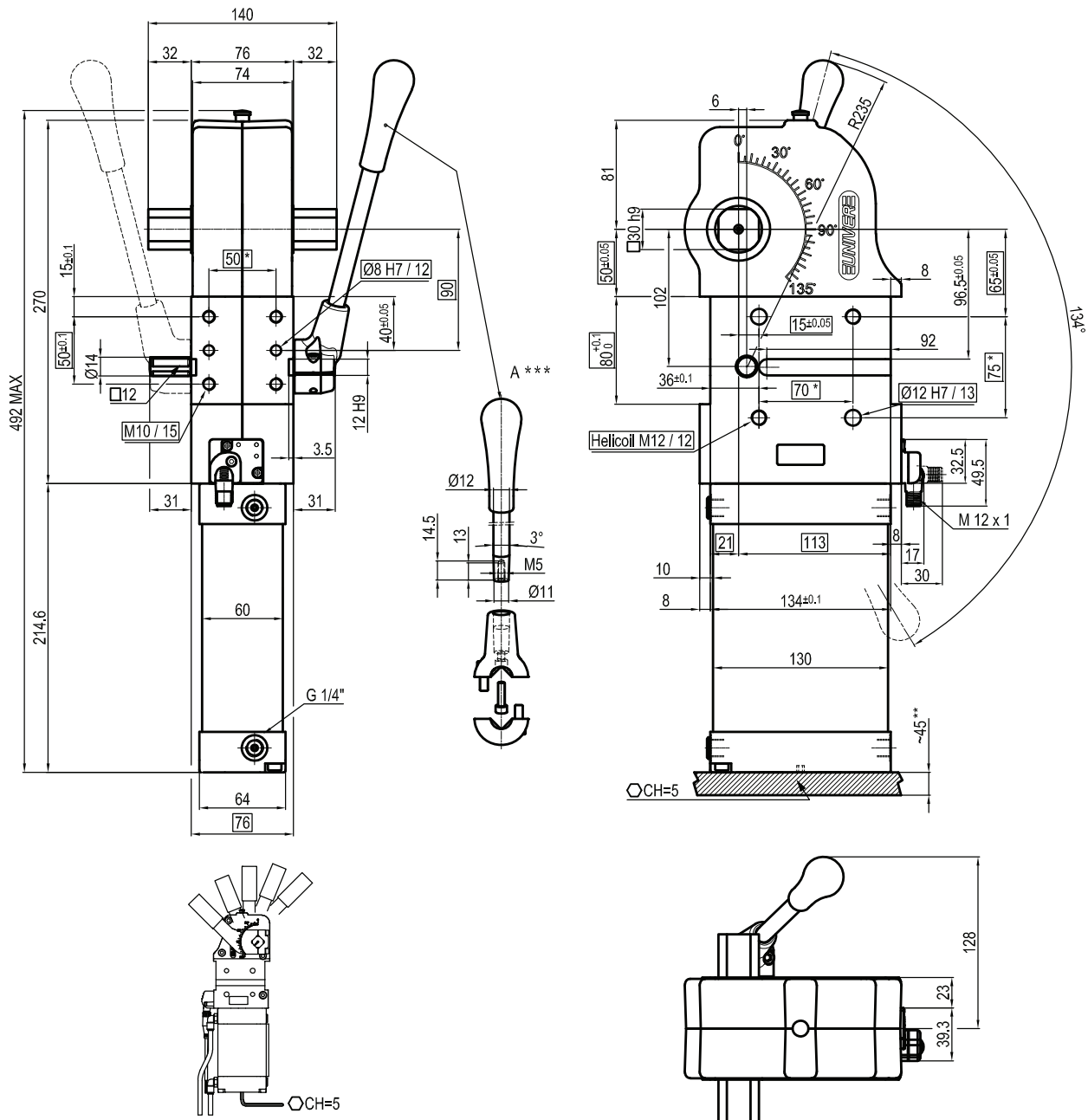
**K** = Electronic sensor PNP (optical) (DF-K)

**N** = Both sides

<b>7 Port thread</b>
----------------------

**G** = Gas

**NH** = NPT

**UNM80NNKG**


Bore Ø	Holding moment	Clamping moment (0,5 MPa)	Weight (clamping arm not included)
80 mm	4000 Nm	1100 Nm	11,4 Kg

 Min./Max. operating pressure: **0,4 / 0,6 MPa**

 Operating temperature: **5° ÷ 45° C**

 Opening angle: **adjustable**

Without arm

With manual lever

Electronic sensor with M12 swivel connector, from 0° to 90°

Supply voltage: 10 ÷ 30 Vdc

 IP code: **IP 65**

Pneumatic ports on both sides

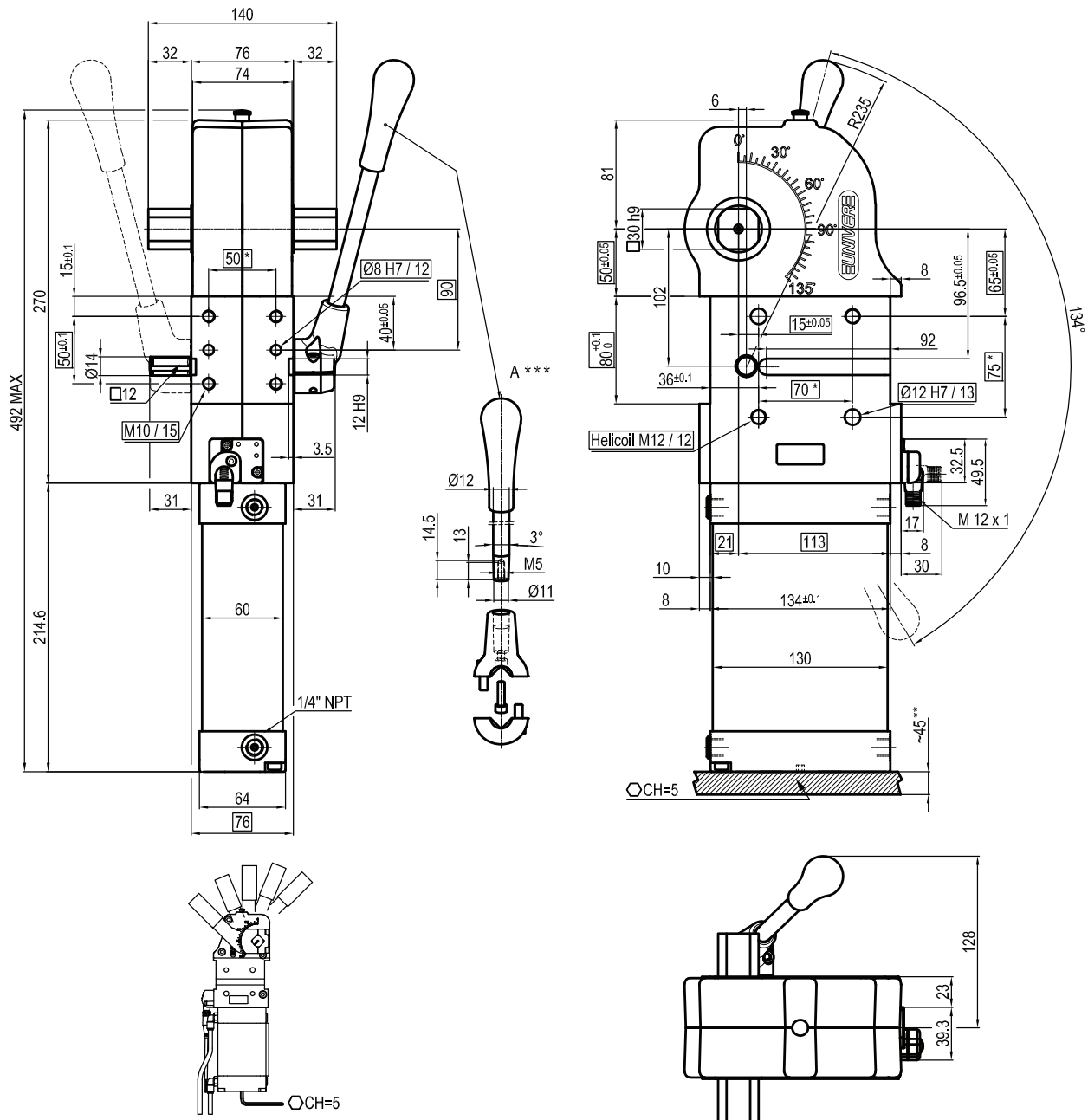
\*: TOLERANCE BETWEEN DOWELS ± 0,02, BETWEEN SCREW HOLES ± 0,1

\*\*: THE MEASURES REFER TO NAAMS STANDARD

\*\*\*: AREA TO ACCESS ANGLE ADJUSTMENT

\*\*\*\*: DIMENSIONS TO BE RESPECTED IN CASE OTHER MANUAL LEVERS ARE USED

Subject to technical modifications without notice

**UNM80NNKNH**


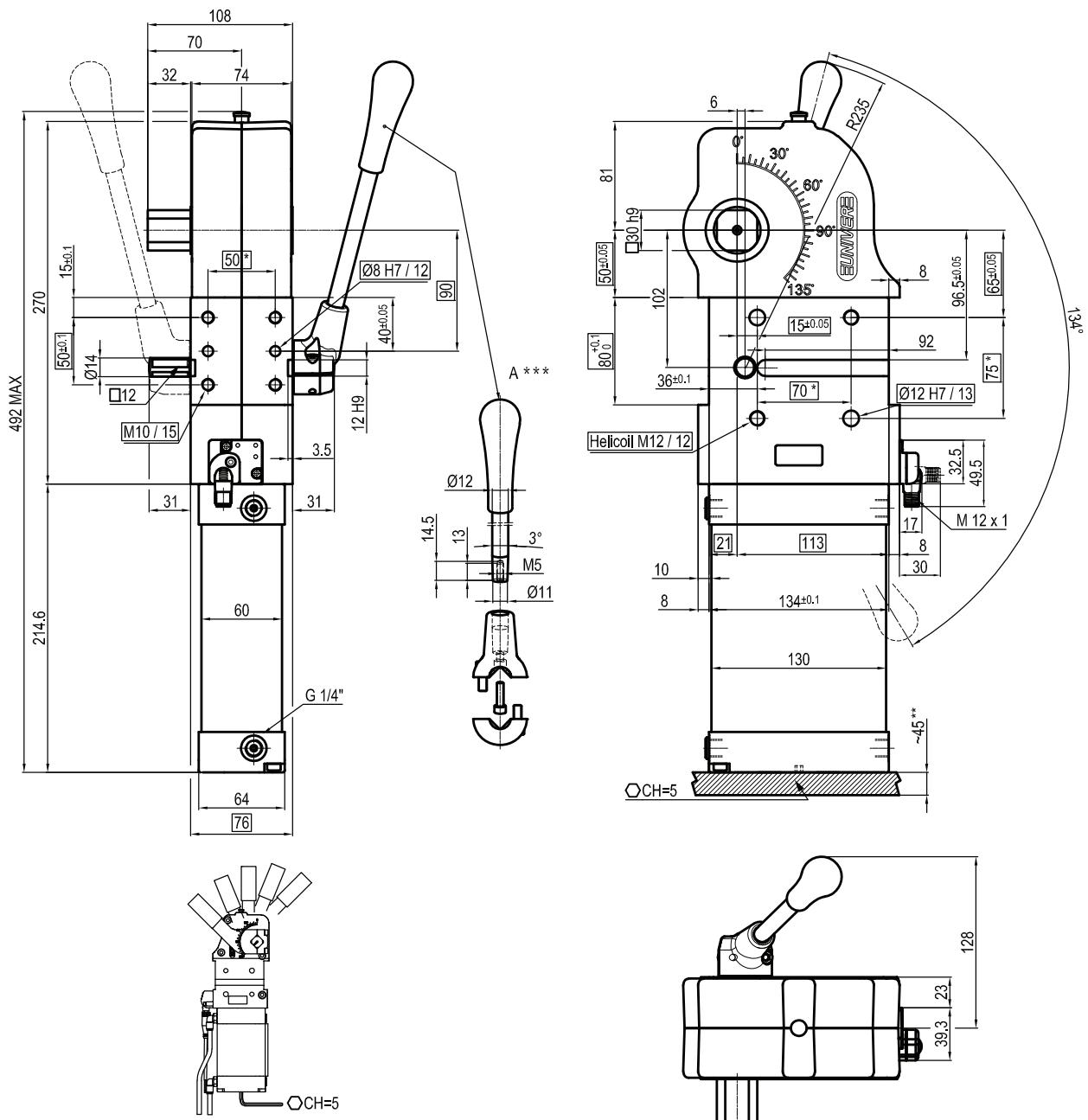
Bore Ø	Holding moment	Clamping moment (0,5 MPa)	Weight (clamping arm not included)
80 mm	4000 Nm	1100 Nm	11,4 Kg

\* : TOLERANCE BETWEEN DOWELS ± 0,02, BETWEEN SCREW HOLES ± 0,1  
 \*\*: THE MEASURES REFER TO NAAMS STANDARD  
 \*\*\*: AREA TO ACCESS ANGLE ADJUSTMENT  
 \*\*\*\*: DIMENSIONS TO BE RESPECTED IN CASE OTHER MANUAL LEVERS ARE USED

Subject to technical modifications without notice

Rev. 00 04.05.20

Min./Max. operating pressure: **0,4 / 0,6 MPa**  
 Operating temperature: **5° ÷ 45° C**  
 Opening angle: **adjustable**  
 Without arm  
 With manual lever  
 Electronic sensor with M12 swivel connector, from 0° to 90°  
 Supply voltage: 10 ÷ 30 Vdc  
 IP code: **IP 65**  
 Pneumatic ports on both sides

**UNM80NLKG**


Bore Ø	Holding moment	Clamping moment (0,5 MPa)	Weight (clamping arm not included)
80 mm	4000 Nm	1100 Nm	11,4 Kg

 Min./Max. operating pressure: **0,4 / 0,6 MPa**

 Operating temperature: **5° ÷ 45° C**

 Opening angle: **adjustable**

Without arm

With manual lever

Electronic sensor with M12 swivel connector, from 0° to 90°

Supply voltage: 10 ÷ 30 Vdc

 IP code: **IP 65**

Pneumatic ports on both sides

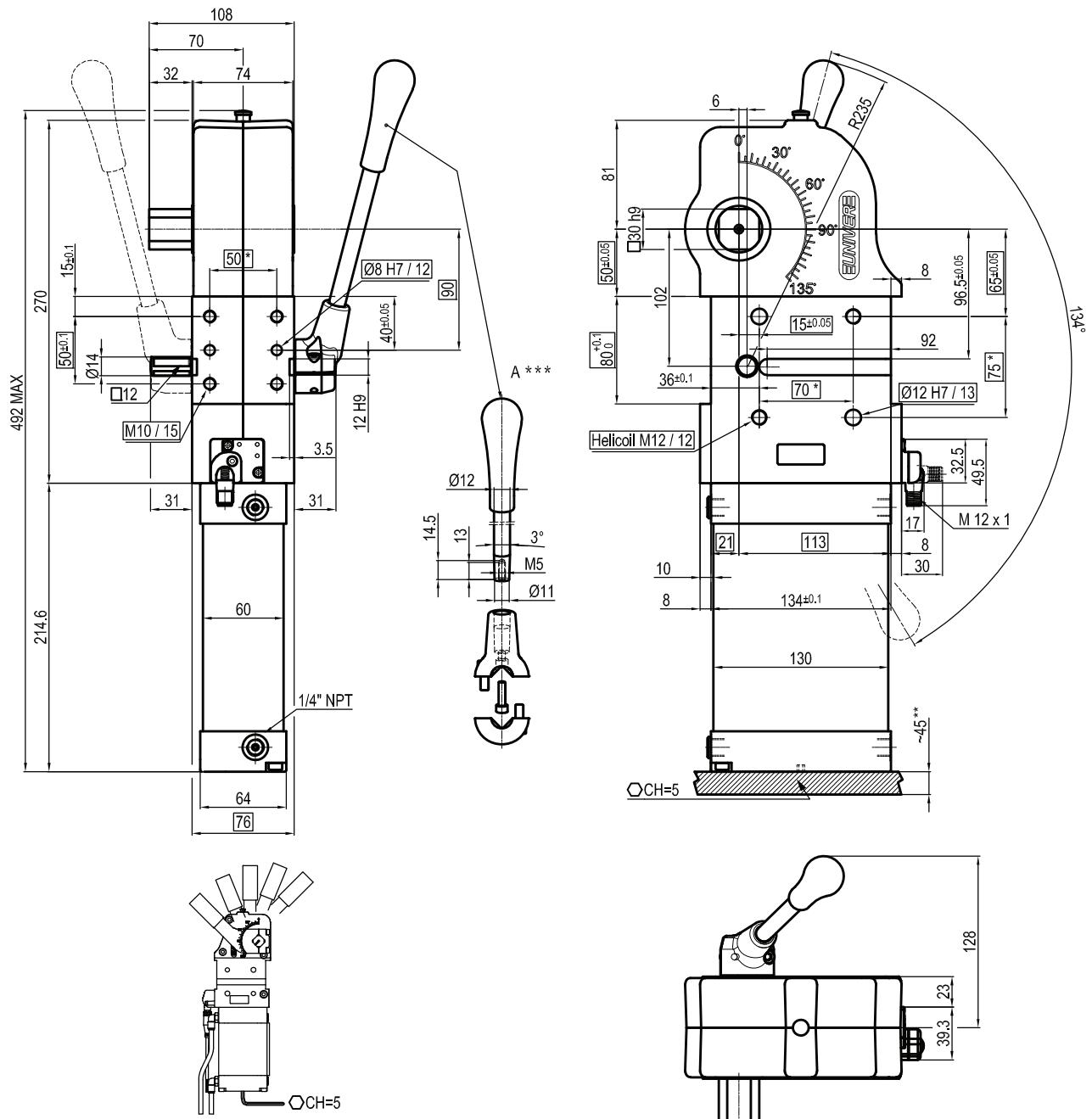
\*: TOLERANCE BETWEEN DOWELS ± 0,02, BETWEEN SCREW HOLES ± 0,1

\*\*: THE MEASURES REFER TO NAAMS STANDARD

\*\*\*: AREA TO ACCESS ANGLE ADJUSTMENT

\*\*\*\*: DIMENSIONS TO BE RESPECTED IN CASE OTHER MANUAL LEVERS ARE USED

Subject to technical modifications without notice

**UNM80NLKNH**


Bore Ø	Holding moment	Clamping moment (0,5 MPa)	Weight (clamping arm not included)
80 mm	4000 Nm	1100 Nm	11,4 Kg

 Min./Max. operating pressure: **0,4 / 0,6 MPa**

 Operating temperature: **5° ÷ 45° C**

 Opening angle: **adjustable**

Without arm

With manual lever

Electronic sensor with M12 swivel connector, from 0° to 90°

Supply voltage: 10 ÷ 30 Vdc

 IP code: **IP 65**

Pneumatic ports on both sides

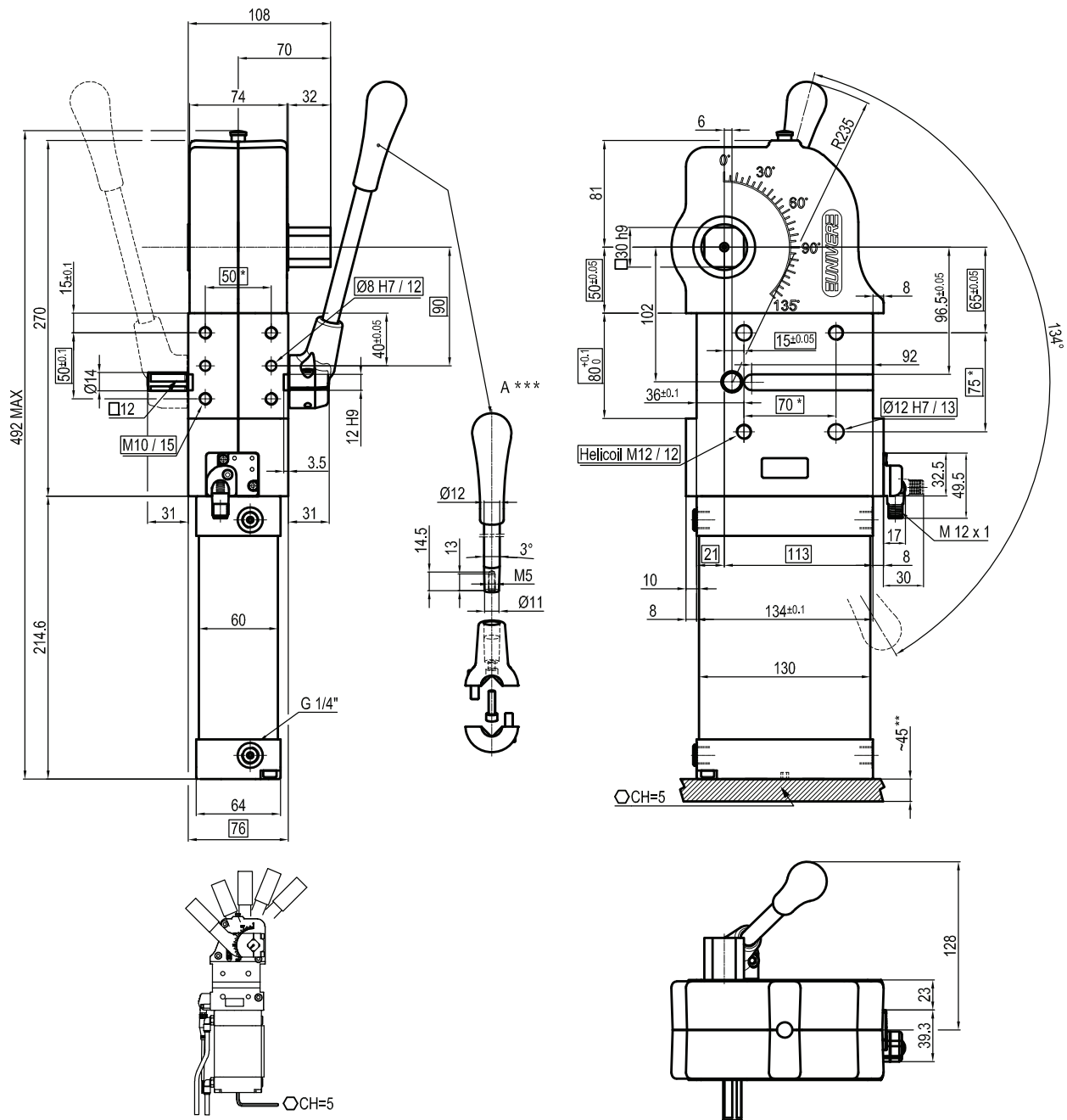
\*: TOLERANCE BETWEEN DOWELS ± 0,02, BETWEEN SCREW HOLES ± 0,1

\*\*: THE MEASURES REFER TO NAAMS STANDARD

\*\*\*: AREA TO ACCESS ANGLE ADJUSTMENT

\*\*\*\*: DIMENSIONS TO BE RESPECTED IN CASE OTHER MANUAL LEVERS ARE USED

Subject to technical modifications without notice

**UNM80NRKG**


Bore Ø	Holding moment	Clamping moment (0,5 MPa)	Weight (clamping arm not included)
80 mm	4000 Nm	1100 Nm	11,4 Kg

 Min./Max. operating pressure: **0,4 / 0,6 MPa**

 Operating temperature: **5° ÷ 45° C**

 Opening angle: **adjustable**

Without arm

With manual lever

Electronic sensor with M12 swivel connector, from 0° to 90°

Supply voltage: 10 ÷ 30 Vdc

 IP code: **IP 65**

Pneumatic ports on both sides

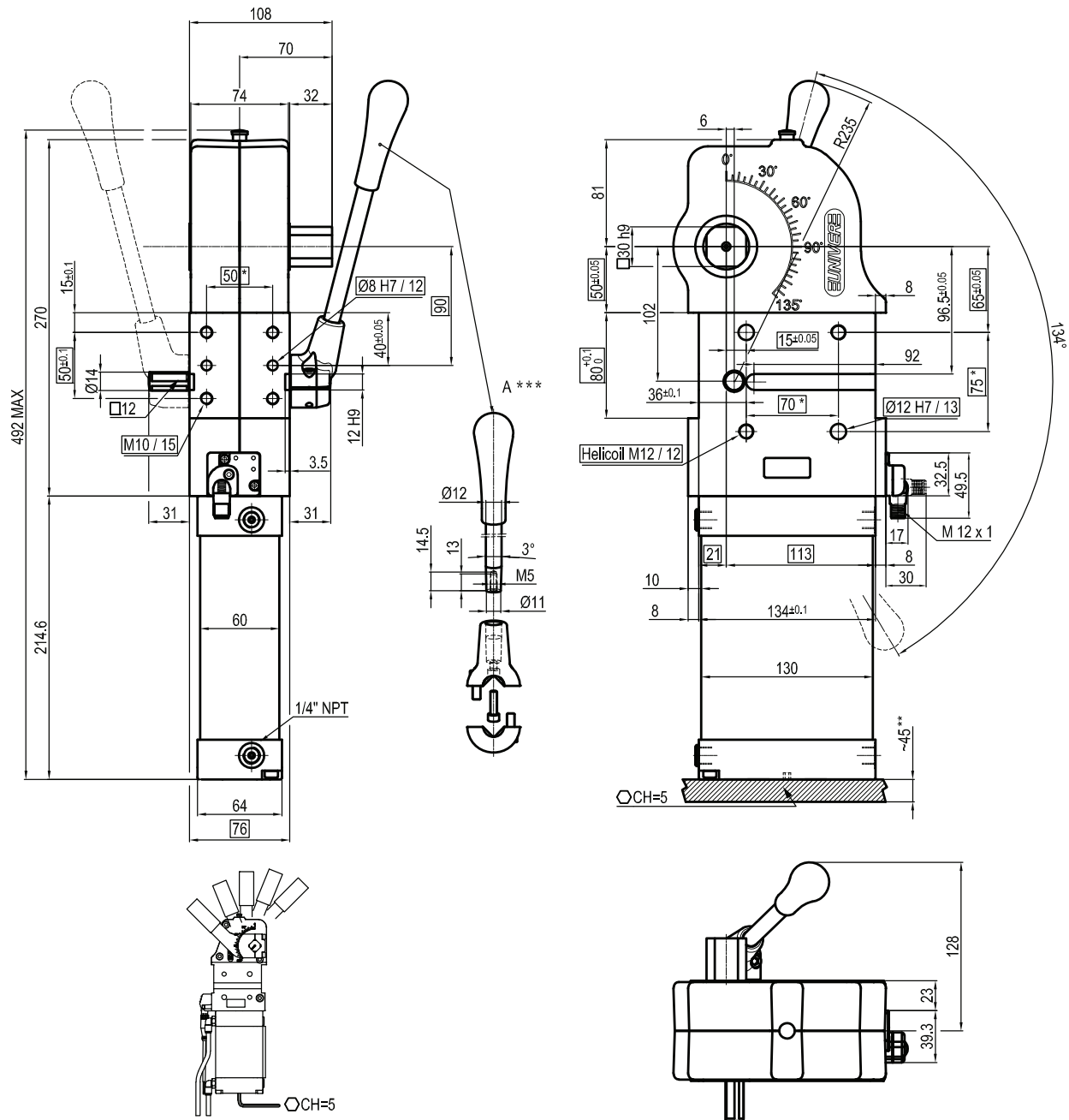
\*: TOLERANCE BETWEEN DOWELS ± 0,02, BETWEEN SCREW HOLES ± 0,1

\*\*: THE MEASURES REFER TO NAAMS STANDARD

\*\*\*: AREA TO ACCESS ANGLE ADJUSTMENT

\*\*\*\*: DIMENSIONS TO BE RESPECTED IN CASE OTHER MANUAL LEVERS ARE USED

Subject to technical modifications without notice

**UNM80NRKNH**


Bore Ø	Holding moment	Clamping moment (0,5 MPa)	Weight (clamping arm not included)
80 mm	4000 Nm	1100 Nm	10,4 Kg

 Min./Max. operating pressure: **0,4 / 0,6 MPa**

 Operating temperature: **5° ÷ 45° C**

 Opening angle: **adjustable**

Without arm

Electronic sensor with M12 swivel connector, from 0° to 90°

Supply voltage: 10 ÷ 30 Vdc

 IP code: **IP 65**

Pneumatic ports on both sides

\*: TOLERANCE BETWEEN DOWELS ± 0,02, BETWEEN SCREW HOLES ± 0,1

\*\*: THE MEASURES REFER TO NAAMS STANDARD

\*\*\*: AREA TO ACCESS ANGLE ADJUSTMENT

\*\*\*\*: DIMENSIONS TO BE RESPECTED IN CASE OTHER MANUAL LEVERS ARE USED

Subject to technical modifications without notice