

UDP63

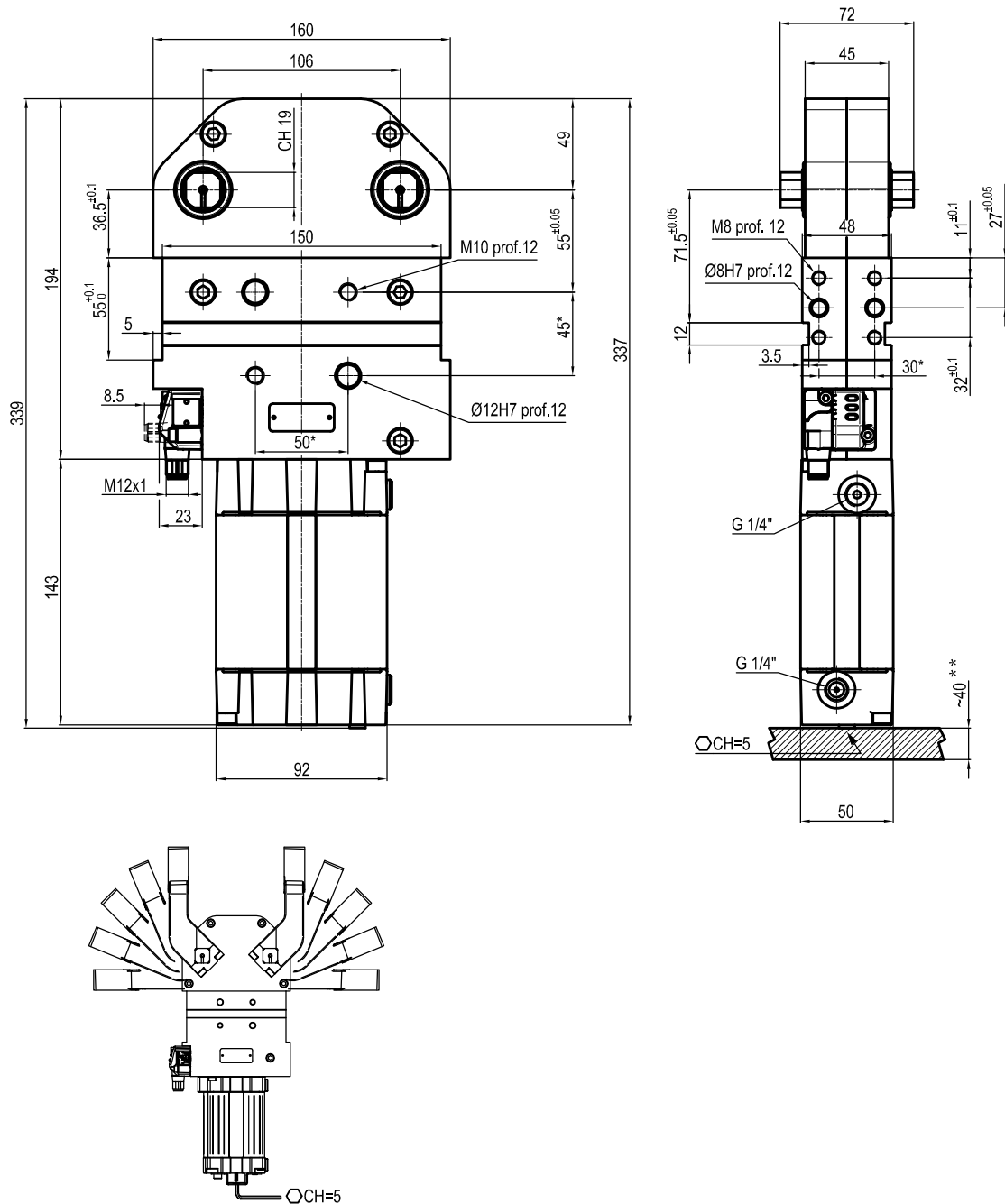
UNIVERSAL Power Clamps with double arm



U	D	P	6	3	D	E	E
1	2	3	4	5	6		

1 Series	2 Version	3 Size
UD = UNIVERSAL Power Clamps double arm fully adjustable opening angle: 0° to 180° Max The opening angle range may vary according to the arm position and style	P = Pneumatic-standard	63 = Ø 63 mm

4 Arm characteristics	5 Arm style	6 Sensor
D = Double arm N = No arm	C = Central , 15 mm offset D = Right, 15 mm offset S = Left, 15 mm offset E = Central, 45 mm offset F = Right, 45 mm offset L = Left, 45 mm offset N = No arm	N = No sensor (with protection plate) E = Electronic sensor with M12 swivel connector



Bore Ø	Clamping moment	Weight (clamping arms not included)
63 mm	130 Nm	4,6 Kg

Min./Max. operating pressure: **0,4 / 0,6 MPa**

Operating temperature: **5° + 45° C**

Opening angle: **adjustable**

Without arm

Electronic sensor with M12 swivel connector that can be orientated at 0° or 90°

Supply voltage: 10-30 Vdc

IP code: **IP 65**

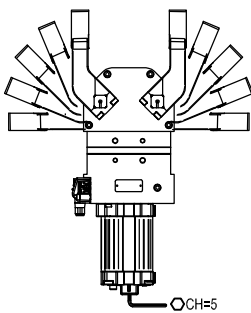
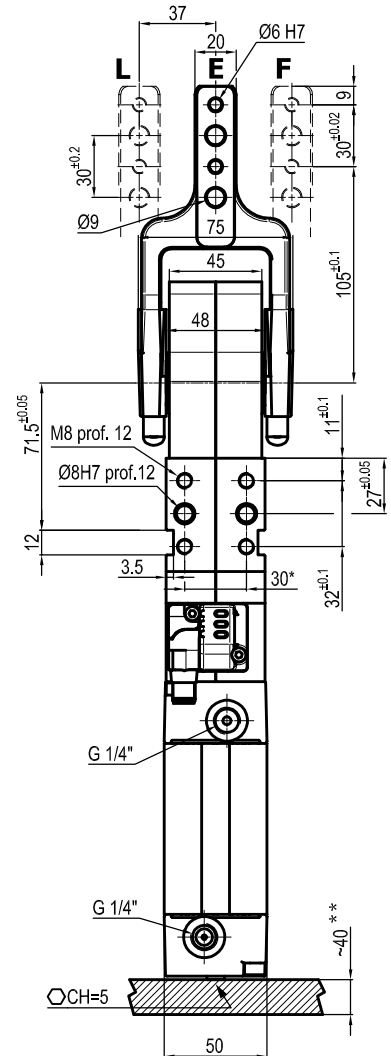
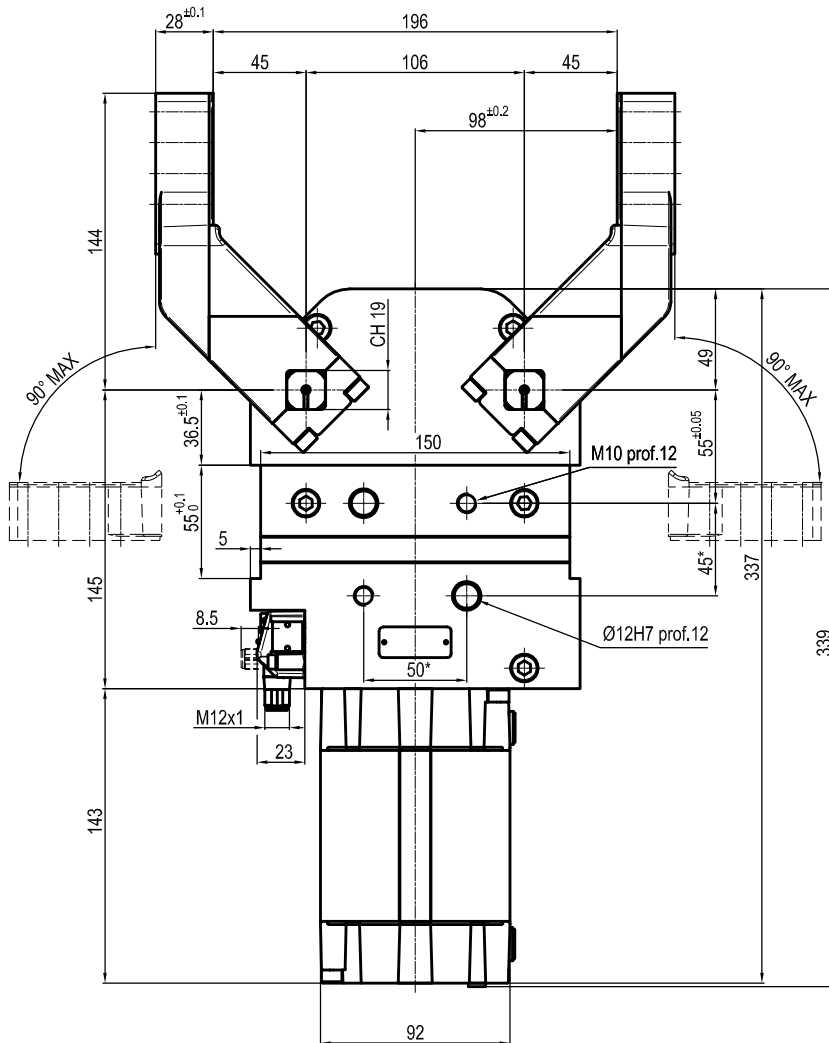
Pneumatic ports on both sides

* : TOLERANCE BETWEEN DOWEL HOLES ± 0.02, TO SCREW HOLES ± 0.1

** : AREA TO ACCESS ANGLE ADJUSTMENT

Subject to technical modification without notice.

UNIVERSAL Pneumatic clamp arms at 45 mm from pivot point



Bore Ø	Clamping moment	Weight (clamping arms not included)
63 mm	130 Nm	4,6 Kg

Min./Max. operating pressure: **0,4 / 0,6 MPa**
 Operating temperature: **5° + 45° C**
 Opening angle: **adjustable from 0° to 90°**
 Electronic sensor with M12 swivel connector that can be orientated at 0° or 90°
 Supply voltage: 10÷30 Vdc
 IP code: **IP 65**
 Pneumatic ports on both sides

* : TOLERANCE BETWEEN DOWEL HOLES ± 0.02, TO SCREW HOLES ± 0.1
 ** : AREA TO ACCESS ANGLE ADJUSTMENT

Subject to technical modification without notice.