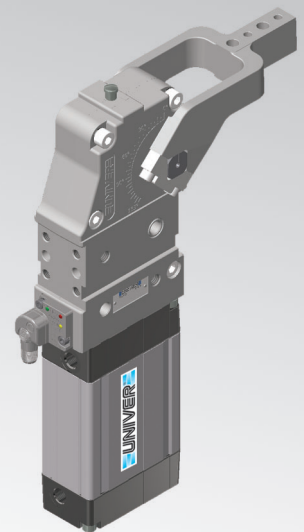


# UBP63

UNIVERSAL Power clamps



U	B	P	6	3	O	E	K	
1	2	3	4	5	6	7		

1 Series	2 Version	3 Size
----------	-----------	--------

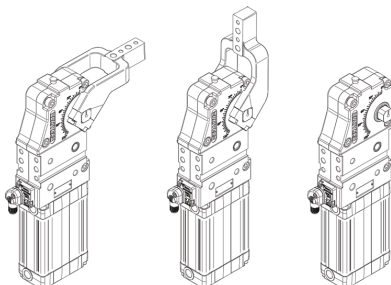
**UB = UNIVERSAL** power clamps  
fully adjustable opening angle:  
**0° to 135° Max**  
The opening angle range may vary  
according to the arm position and style

**P = Pneumatic-standard**

**63 = Ø 63 mm**

4 Arm position	5 Arm style	6 Sensor
----------------	-------------	----------

**V = 90°    O = 180°    N = No arm**



**C = Central, 15 mm offset**  
**D = Right, 15 mm offset**  
**S = Left, 15 mm offset**  
**E = Central, 45 mm offset**  
**F = Right, 45 mm offset**  
**L = Left, 45 mm offset**

**X\* = Central, oversized dowel holes Ø 8 H7, 15 mm offset**  
**Y\* = Right, oversized dowel holes Ø 8 H7, 15 mm offset**  
**Z\* = Left, oversized dowel holes Ø 8 H7, 15 mm offset**  
**T\* = Central, oversized dowel holes Ø 8 H7, 45 mm offset**  
**U\* = Right, oversized dowel holes Ø 8 H7, 45 mm offset**  
**V\* = Left, oversized dowel holes Ø 8 H7, 45 mm offset**

**N = No arm**

**\* = Available upon request**

**N = No sensor**

(with protection plate)

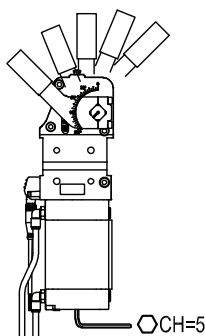
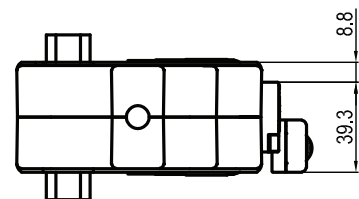
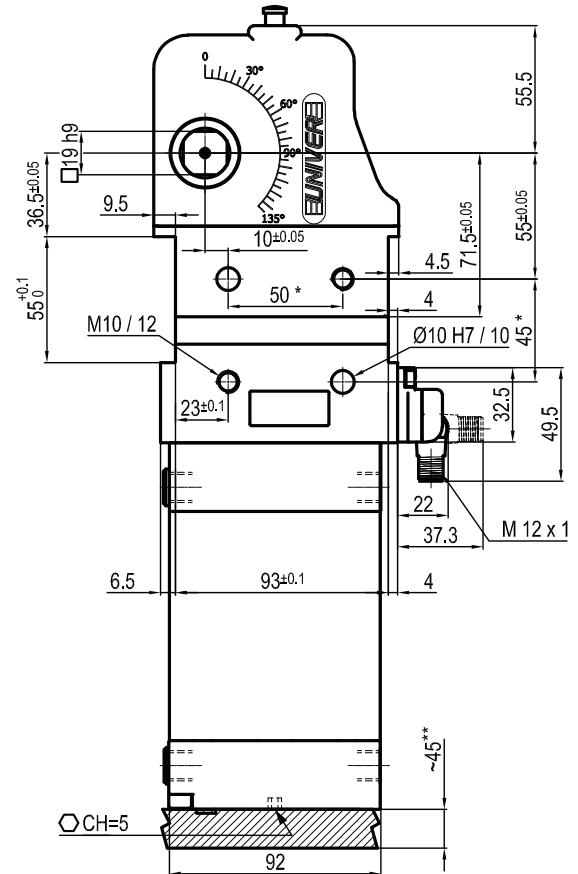
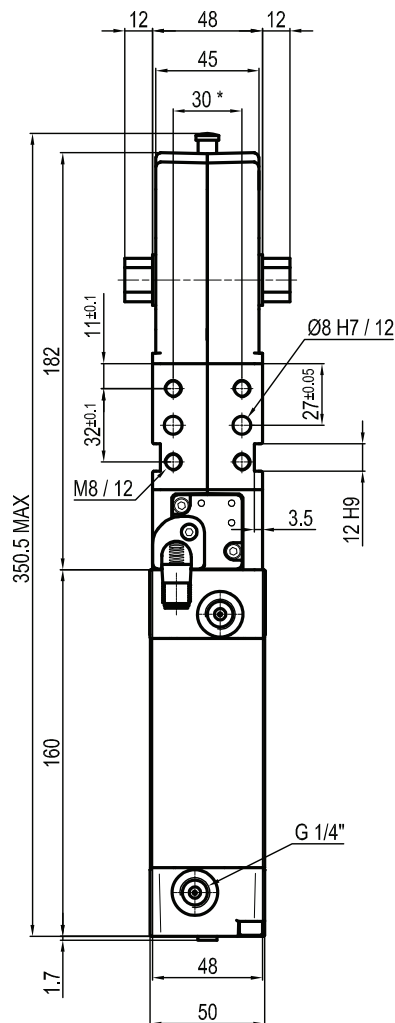
**K = Electronic sensor PNP (optical)**  
(DF-K)

**D = Pneumatic sensor**

7 Arm material
----------------

**S = Steel**

If not specified the aluminium version  
is supplied

**UBP63NNK**


Bore Ø	Holding moment	Clamping moment (0,5 MPa)	Weight (clamping arm not included)
63 mm	1750 Nm	420 Nm	3 Kg

 Min./Max. operating pressure: **0,4 / 0,6 MPa**

 Operating temperature: **5° ÷ 45° C**

 Opening angle: **adjustable**

Without arm

Electronic sensor with M12 swivel connector, from 0° to 90°

Supply voltage: 10 ÷ 30 Vdc

 IP code: **IP 65**

Pneumatic ports on both sides

\*: TOLERANCE BETWEEN DOWELS ± 0,02, BETWEEN SCREW HOLES ± 0,1

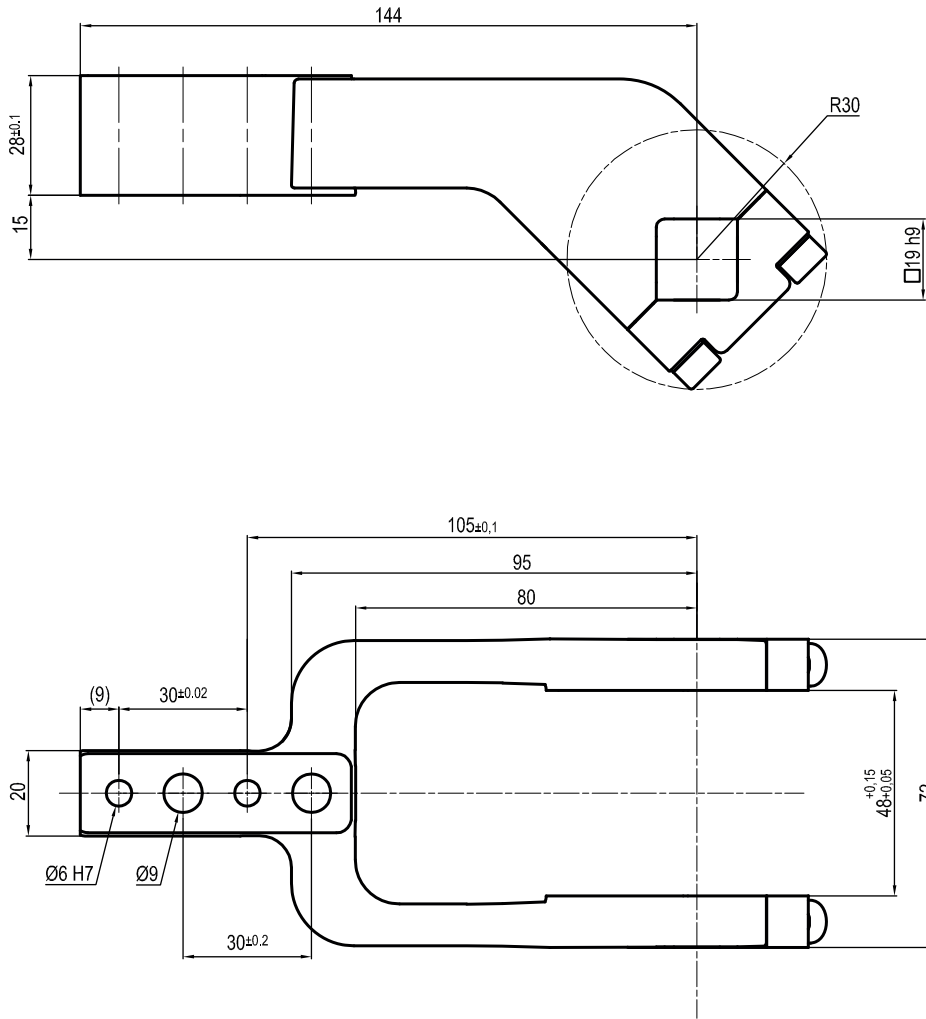
\*\*: AREA TO ACCESS ANGLE ADJUSTMENT

Subject to technical modifications without notice

Rev. 00 05.02.20

LKP00CL

□ 19 mm - offset 15 mm



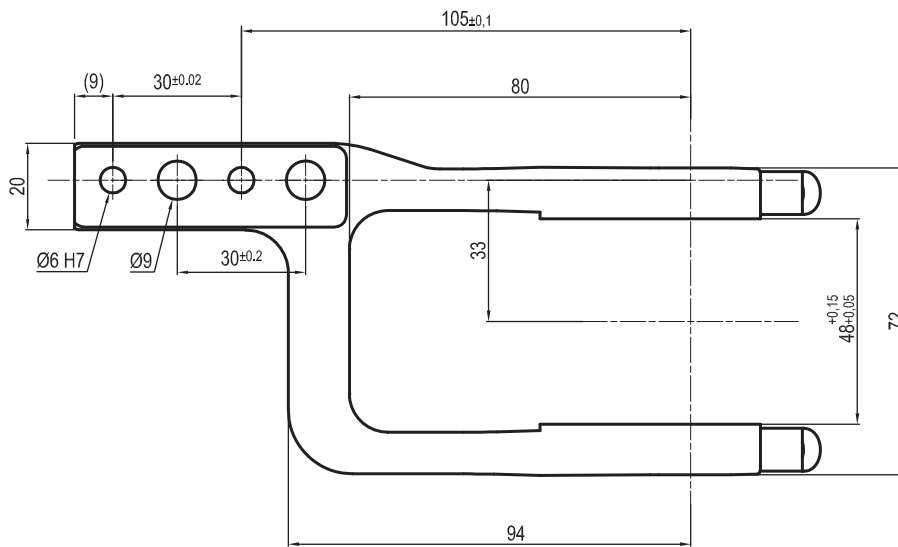
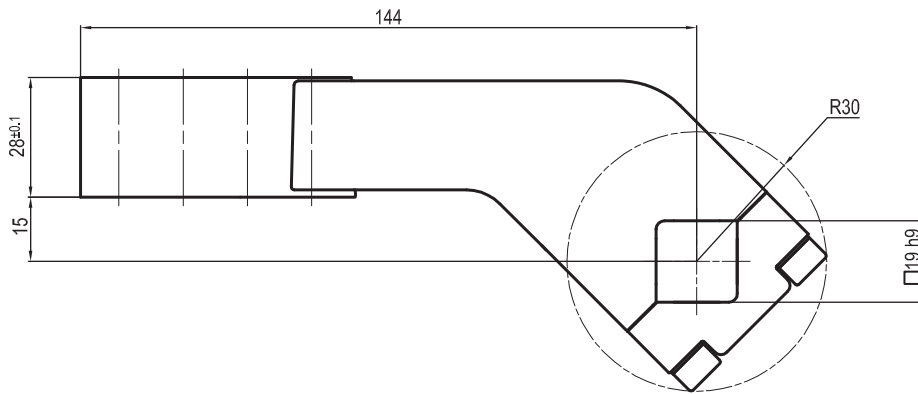
Clamp size	Material	Weight
50/63 mm	Aluminium	0,4 Kg

THE CLAMPING ARM INCLUDES THE NECESSARY SCREWS

Subject to technical modifications without notice

LKP00DL

□ 19 mm - offset 15 mm



Clamp size	Material	Weight
50/63 mm	Aluminium	0,4 Kg

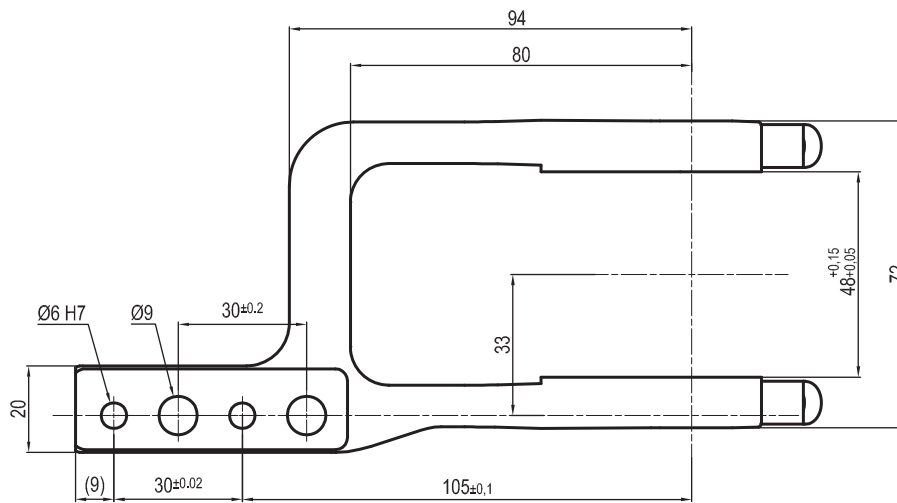
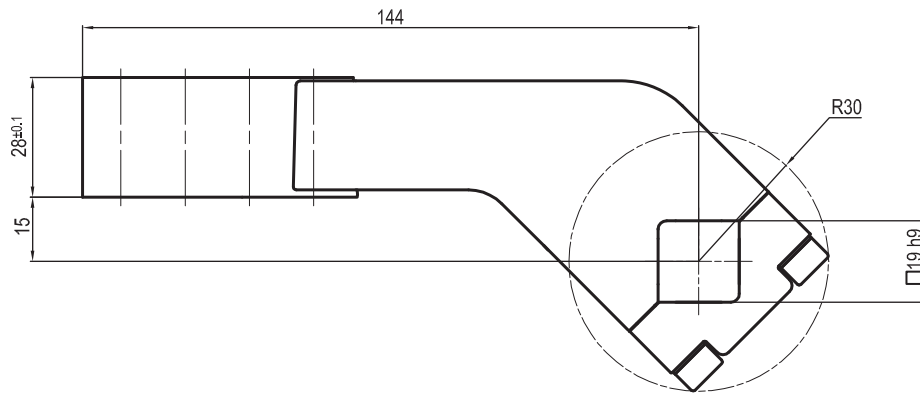
THE CLAMPING ARM INCLUDES THE NECESSARY SCREWS

Subject to technical modifications without notice

Rev. 02 14.07.16

LKP00SL

□ 19 mm - offset 15 mm



Clamp size	Material	Weight
50/63 mm	Aluminium	0,4 Kg

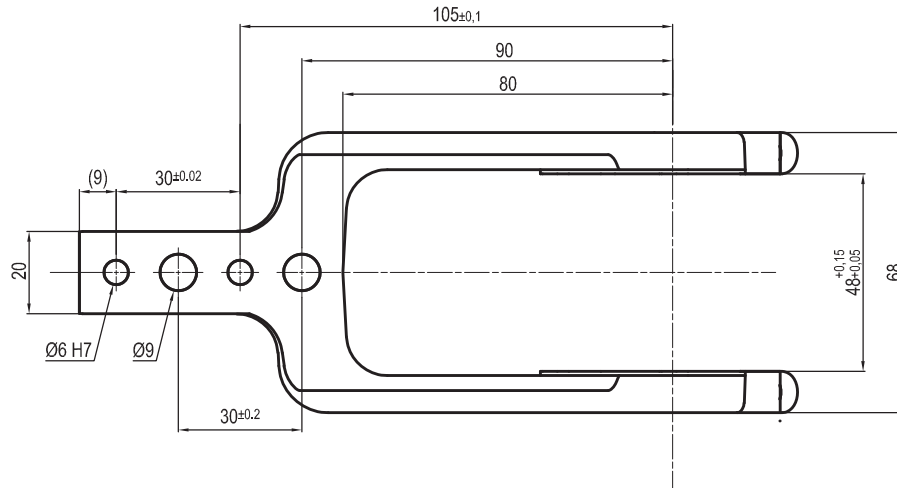
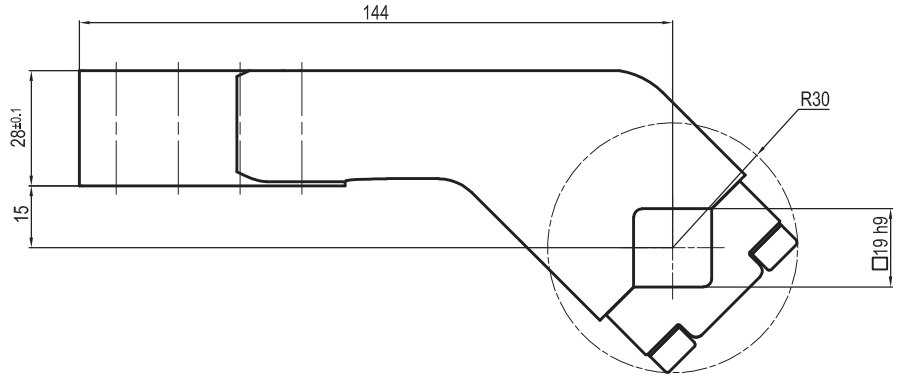
THE CLAMPING ARM INCLUDES THE NECESSARY SCREWS

Subject to technical modifications without notice

Rev. 02 15.07.16

UP210151441G

□ 19 mm - offset 15 mm



Clamp size	Material	Weight
50/63 mm	Steel	0,8 Kg

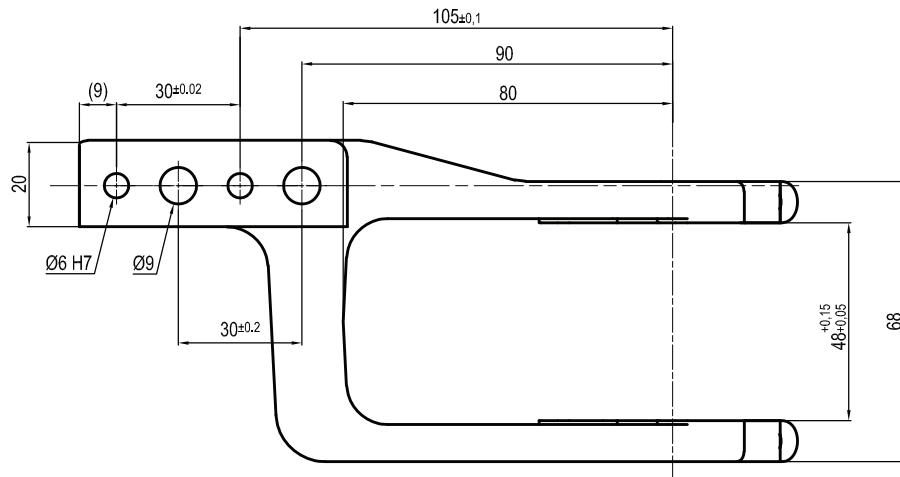
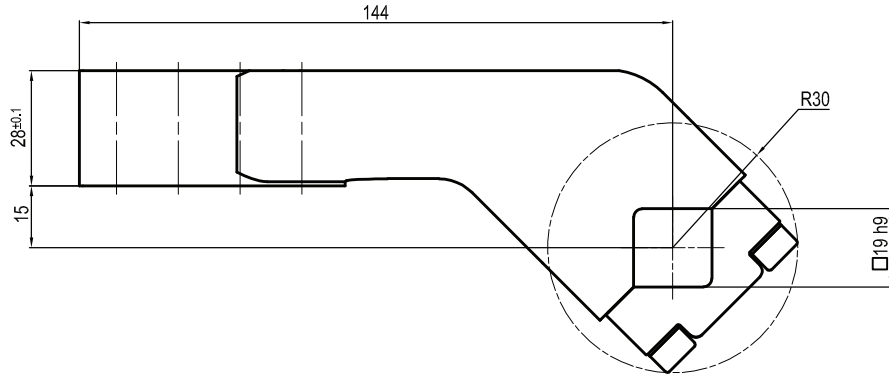
THE CLAMPING ARM INCLUDES THE NECESSARY SCREWS

Subject to technical modifications without notice

Rev. 01 15.01.16

UP210151442G

□ 19 mm - offset 15 mm



Clamp size	Material	Weight
50/63 mm	Steel	0,8 Kg

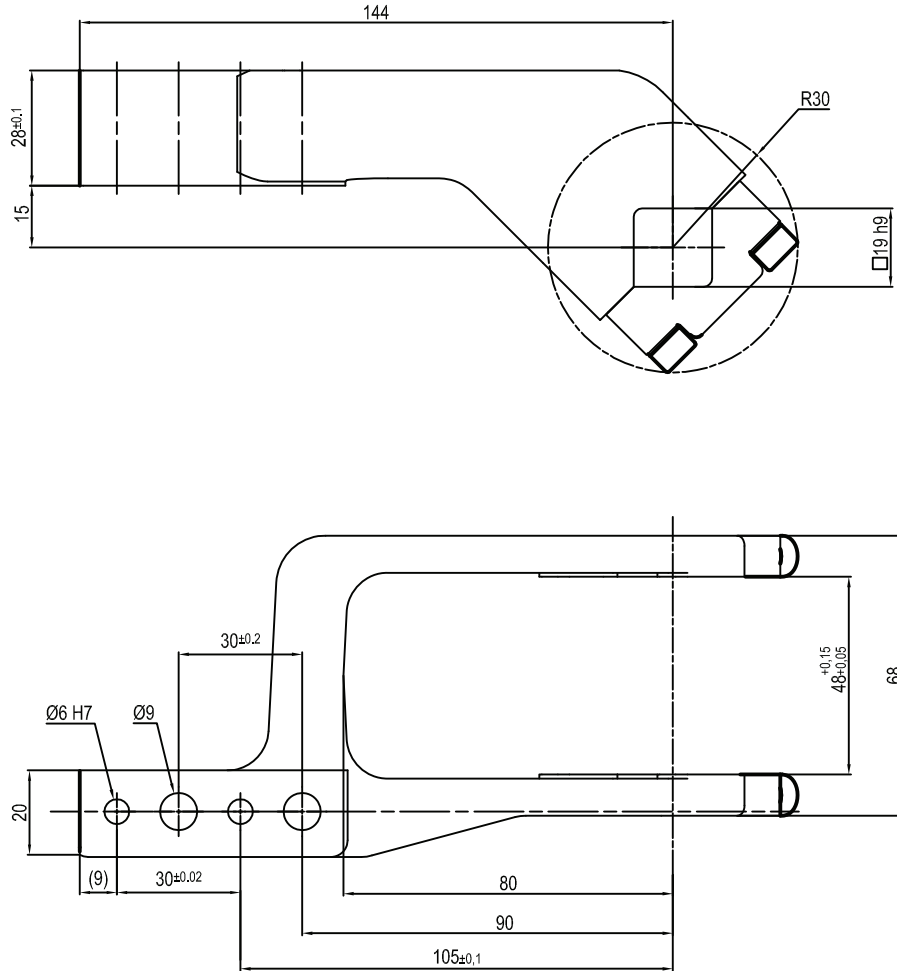
THE CLAMPING ARM INCLUDES THE NECESSARY SCREWS

Subject to technical modifications without notice

Rev. 01 15.01.16

UP210151443G

□ 19 mm - offset 15 mm



Clamp size	Material	Weight
50/63 mm	Steel	0,8 Kg

THE CLAMPING ARM INCLUDES THE NECESSARY SCREWS

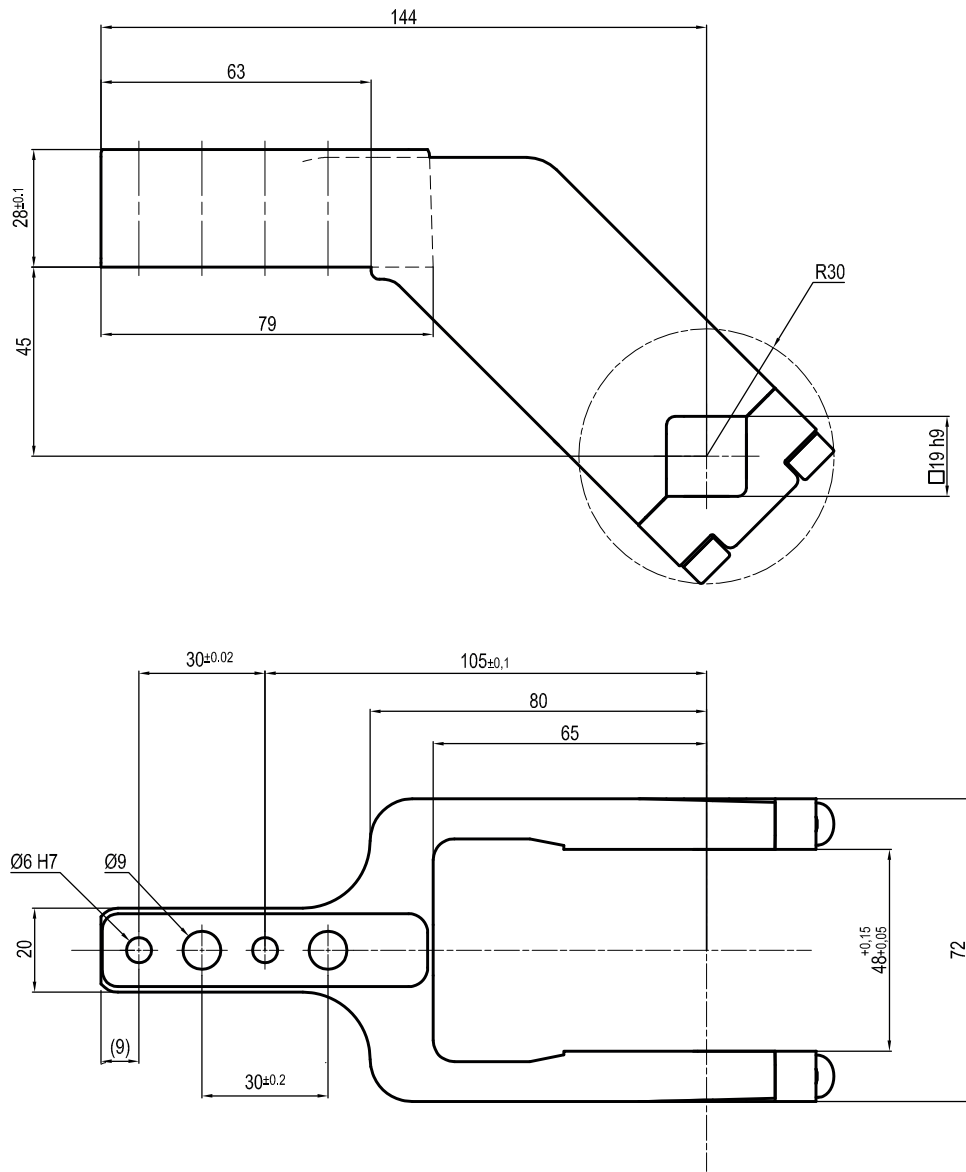
Subject to technical modifications without notice

Rev. 01 15.01.16



UKP5063E

□ 19 mm - offset 45 mm



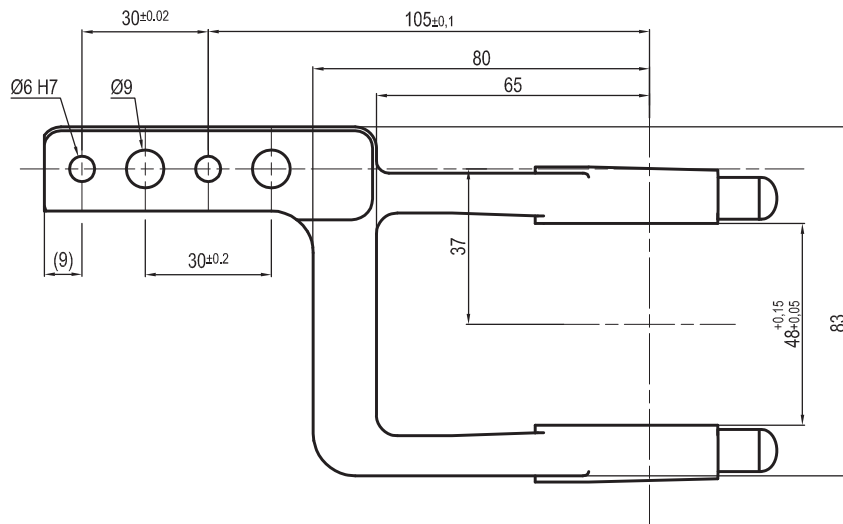
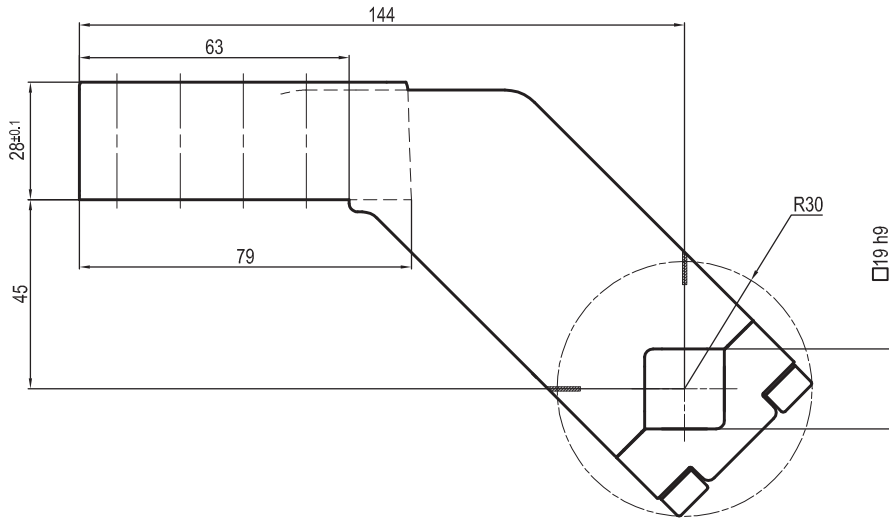
Clamp size	Material	Weight
50/63 mm	Aluminium	0,45 Kg

THE CLAMPING ARM INCLUDES THE NECESSARY SCREWS

Subject to technical modifications without notice

**UKP63F**

□ 19 mm - offset 45 mm



Clamp size	Material	Weight
63 mm	Aluminium	0,45 Kg

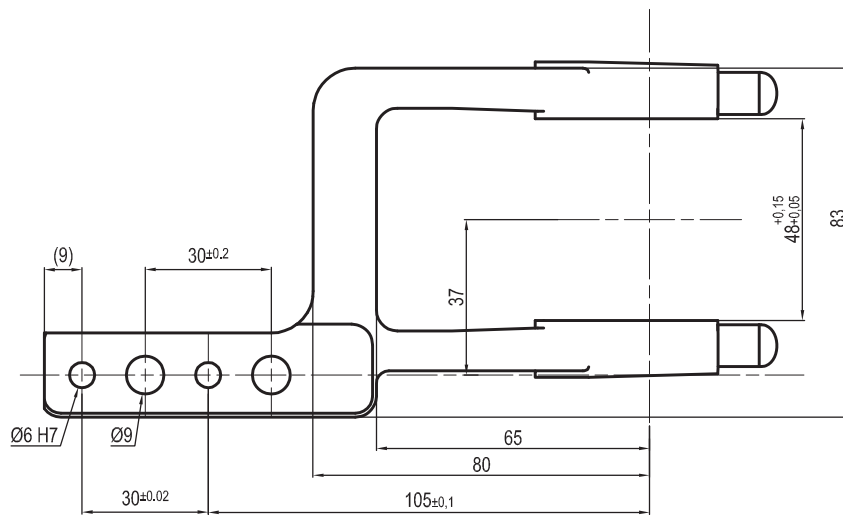
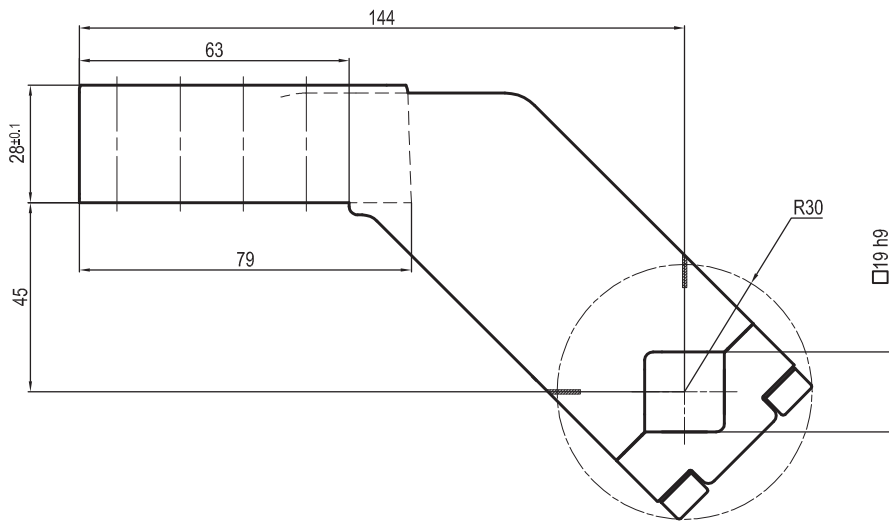
THE CLAMPING ARM INCLUDES THE NECESSARY SCREWS

Subject to technical modifications without notice

Rev. 01 15.07.16

UKP63L

□ 19 mm - offset 45 mm



Clamp size	Material	Weight
63 mm	Aluminium	0,45 Kg

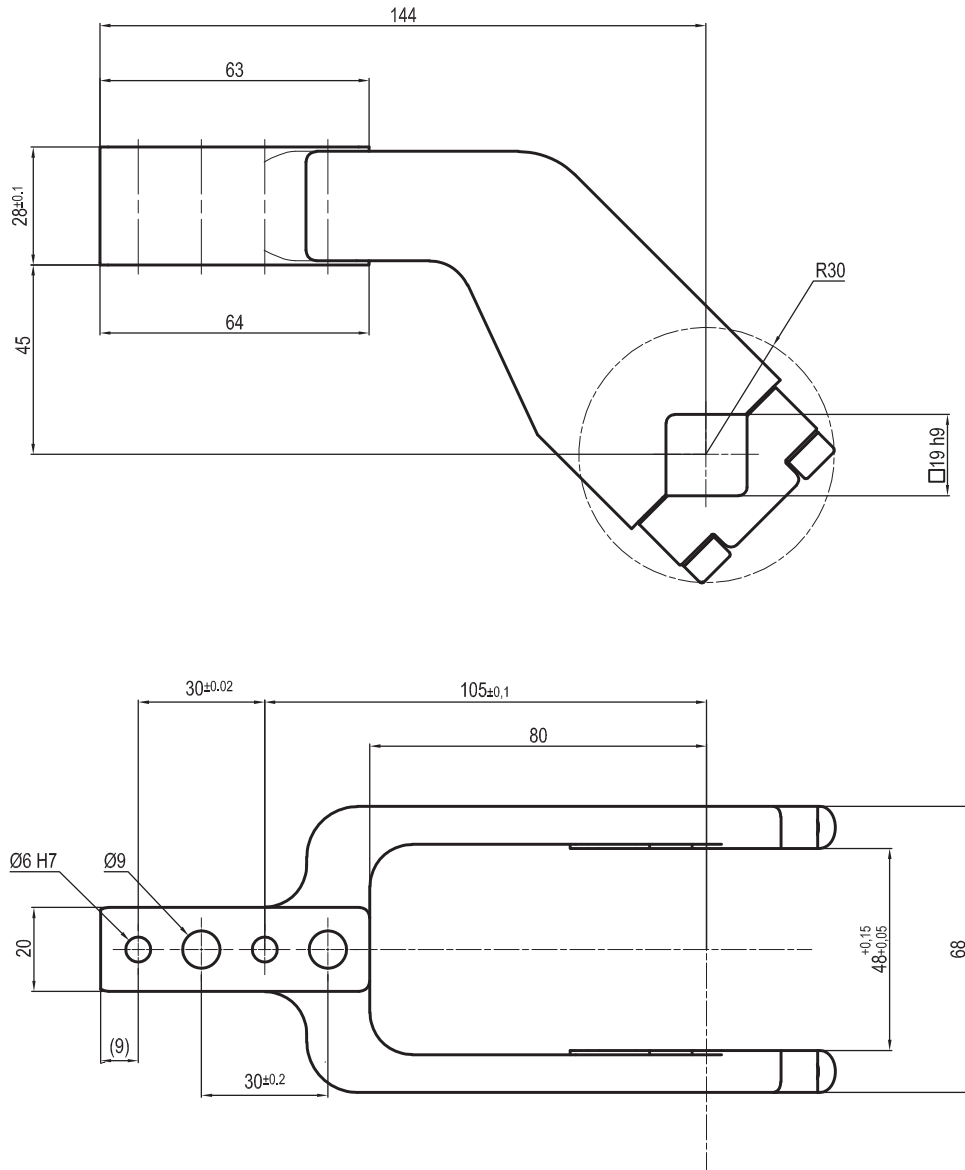
THE CLAMPING ARM INCLUDES THE NECESSARY SCREWS

Subject to technical modifications without notice

Rev. 01 15.07.16

UKP5063ES

□ 19 mm - offset 45 mm



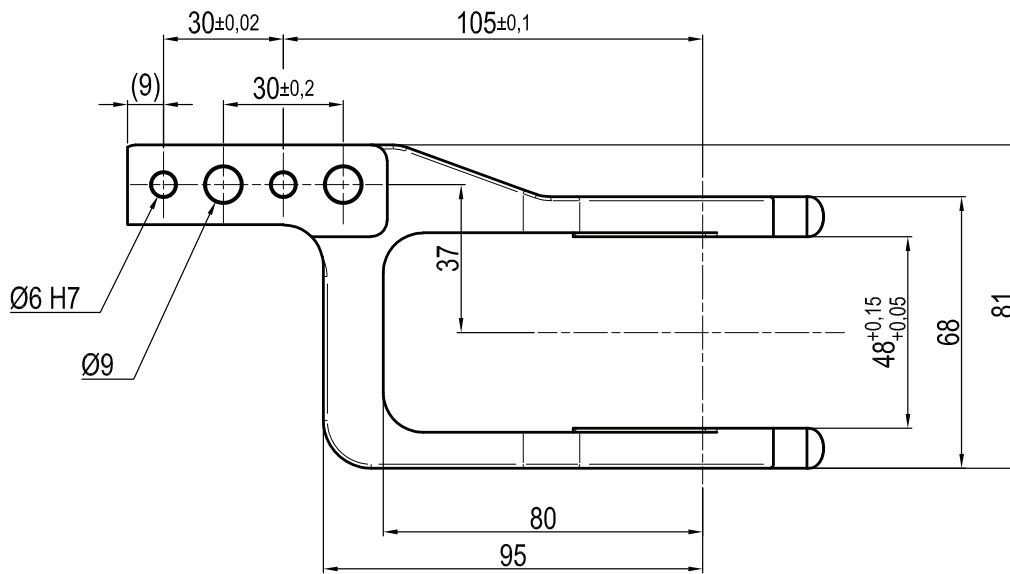
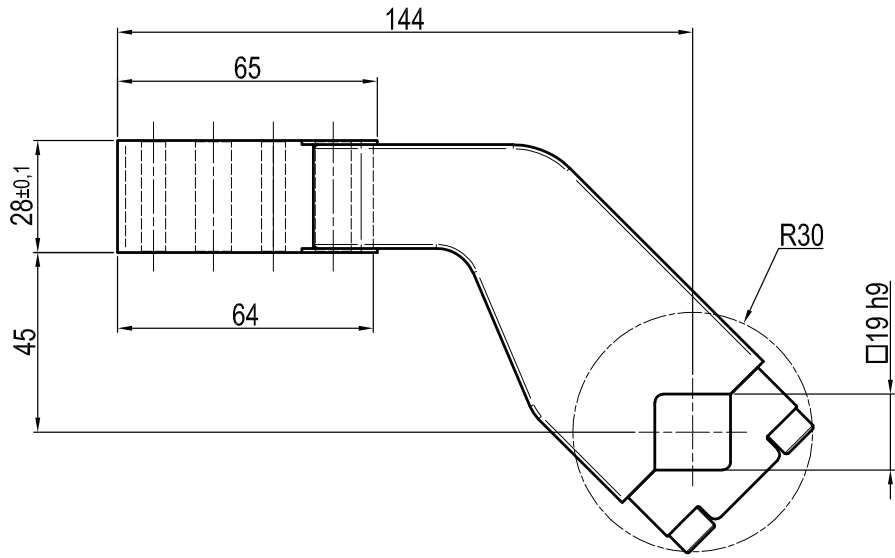
Clamp size	Material	Weight
50/63 mm	Steel	0,92 Kg

THE CLAMPING ARM INCLUDES THE NECESSARY SCREWS

Subject to technical modifications without notice

UKP63FS

□ 19 mm - offset 45 mm



Clamp size	Material	Weight
63 mm	Steel	1,2 Kg

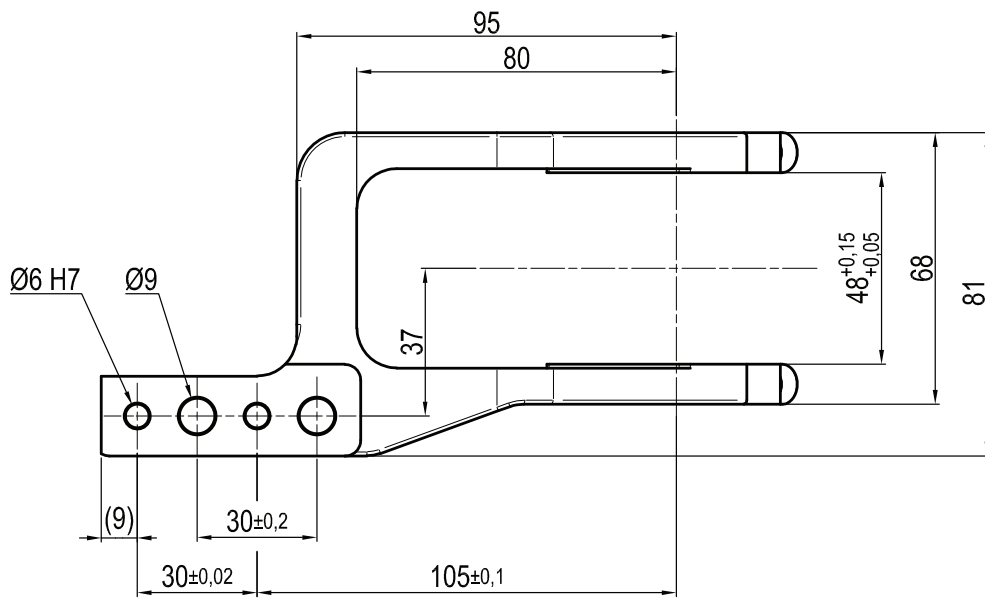
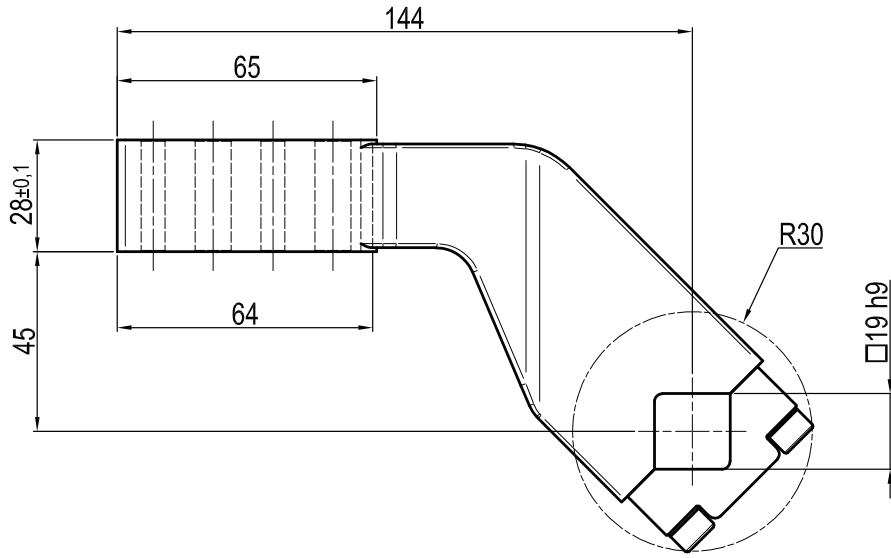
THE CLAMPING ARM INCLUDES THE NECESSARY SCREWS

Subject to technical modifications without notice

Rev. 00 24.07.20

UKP63LS

□ 19 mm - offset 45 mm



Clamp size	Material	Weight
63 mm	Steel	1,2 Kg

THE CLAMPING ARM INCLUDES THE NECESSARY SCREWS

Subject to technical modifications without notice

Rev. 00 24.07.20