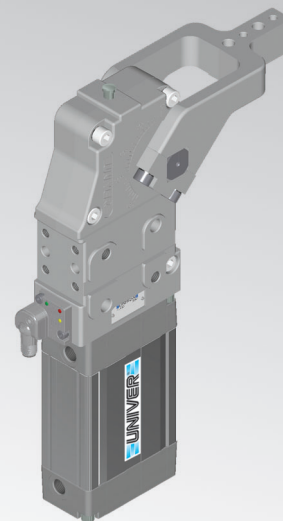


# UBH63

UNIVERSAL Power clamps



U	B	H	6	3	N	N	K	
1	2	3	4	5	6	7		

1 Series	2 Version	3 Size
----------	-----------	--------

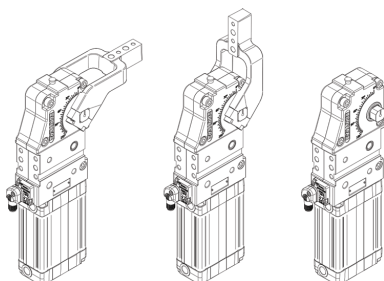
**UB** = UNIVERSAL Power clamps  
fully adjustable opening angle:  
**0° to 135° Max**  
The opening angle range may vary  
according to the arm position and style

**H** = Pneumatic-standard

**63** = Ø 63 mm

4 Arm position	5 Arm style	6 Sensor
----------------	-------------	----------

**V** = 90°    **O** = 180°    **N** = No arm



**C** = Central, 15 mm offset  
**D** = Right, 15 mm offset  
**S** = Left, 15 mm offset  
**E** = Central, 45 mm offset  
**F** = Right, 45 mm offset  
**L** = Left, 45 mm offset

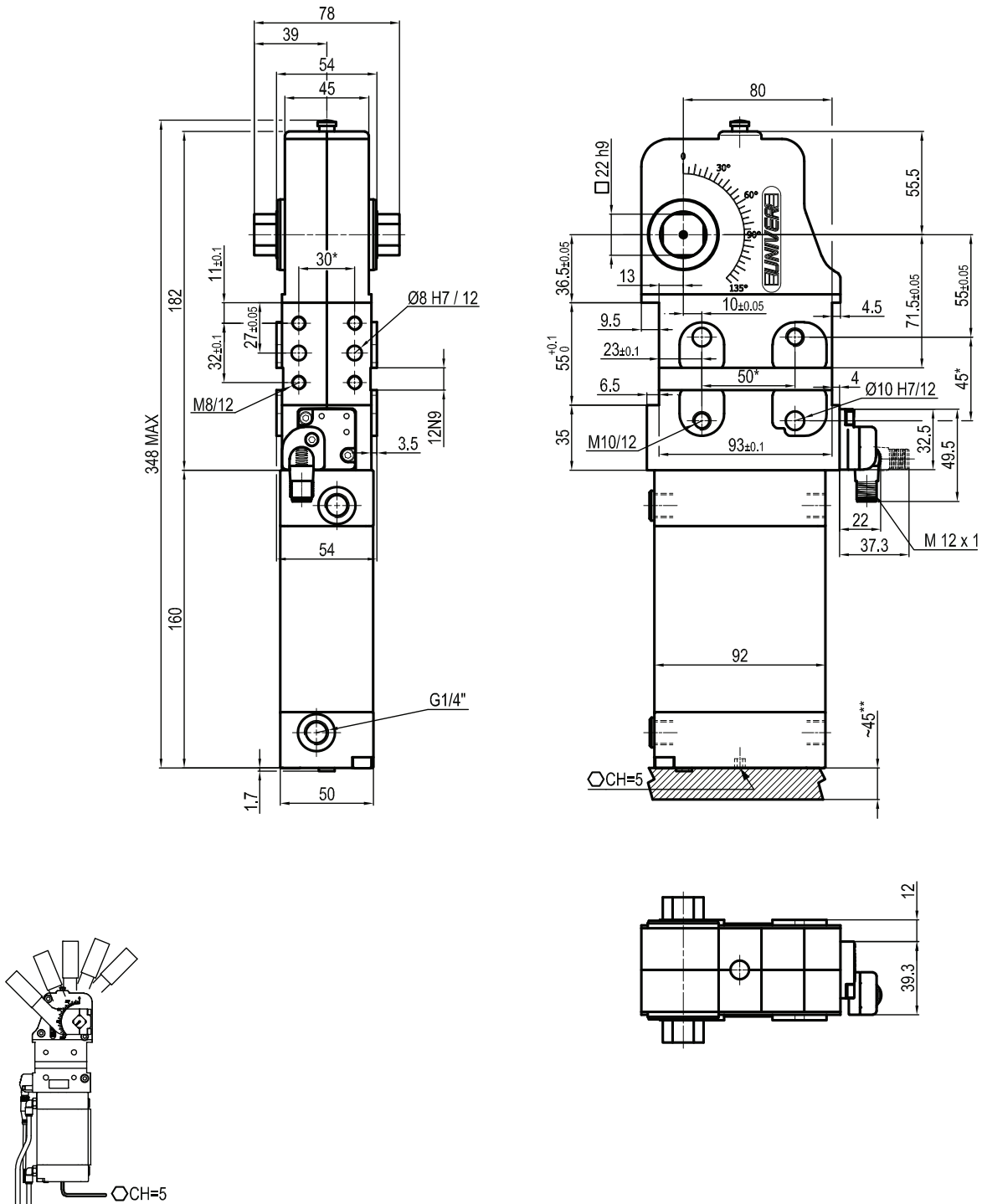
**X\*** = Central, oversized dowel holes Ø 8 H7, 15 mm offset  
**Y\*** = Right, oversized dowel holes Ø 8 H7, 15 mm offset  
**Z\*** = Left, oversized dowel holes Ø 8 H7, 15 mm offset  
**T\*** = Central, oversized dowel holes Ø 8 H7, 45 mm offset  
**U\*** = Right, oversized dowel holes Ø 8 H7, 45 mm offset  
**V\*** = Left, oversized dowel holes Ø 8 H7, 45 mm offset  
**N** = No arm

\* = Available upon request

**N** = No sensor  
(with protection plate)  
**K** = Electronic sensor PNP (optical)  
(DF-K)  
**D** = Pneumatic sensor

7 Arm material
----------------

**S** = Steel  
If not specified the aluminium version  
is supplied

**UBH63NNK**


Bore Ø	Holding moment	Clamping moment (0,5 MPa)	Weight (clamping arm not included)
63 mm	1750 Nm	420 Nm	3,2 Kg

 Min./Max. operating pressure: **0,4 / 0,6 MPa**

 Operating temperature: **5° ÷ 45° C**

 Opening angle: **adjustable**

Without arm

Electronic sensor with M12 swivel connector, from 0° to 90°

Supply voltage: 10 ÷ 30 Vdc

 IP code: **IP 65**

Pneumatic ports on both sides

\*: TOLERANCE BETWEEN DOWELS ± 0,02, BETWEEN SCREW HOLES ± 0,1

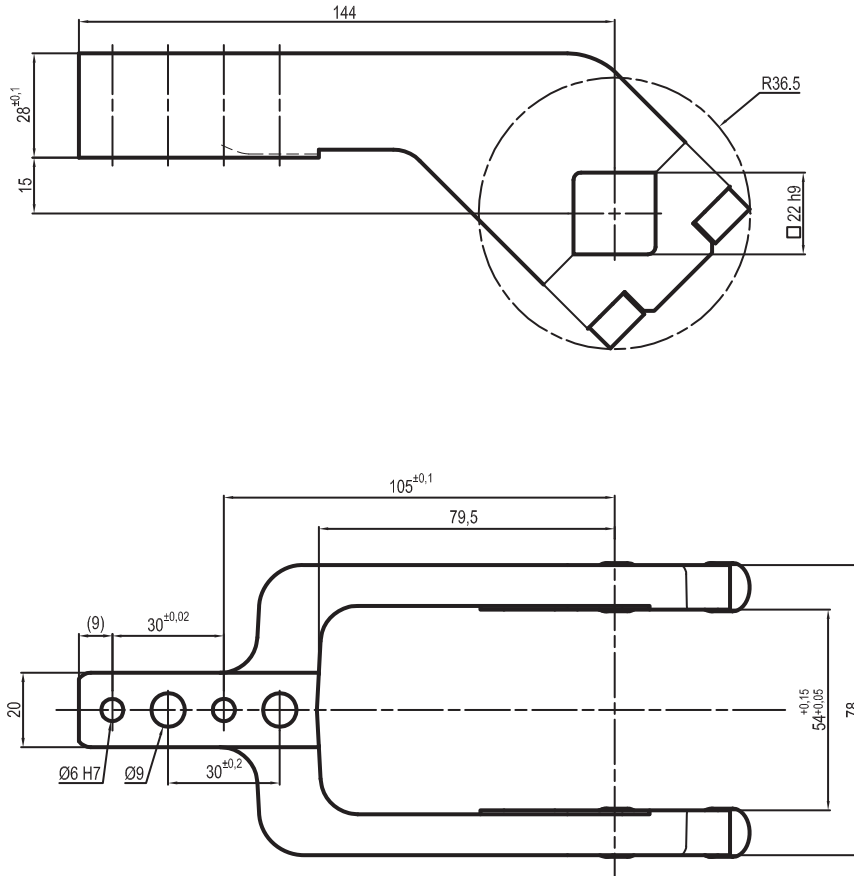
\*\*: AREA TO ACCESS ANGLE ADJUSTMENT

Subject to technical modifications without notice

Rev. 00 05.02.20

UP310151441A

□ 22 mm - offset 15 mm



Clamp size	Material	Weight
63 mm	Aluminium	0,3 Kg

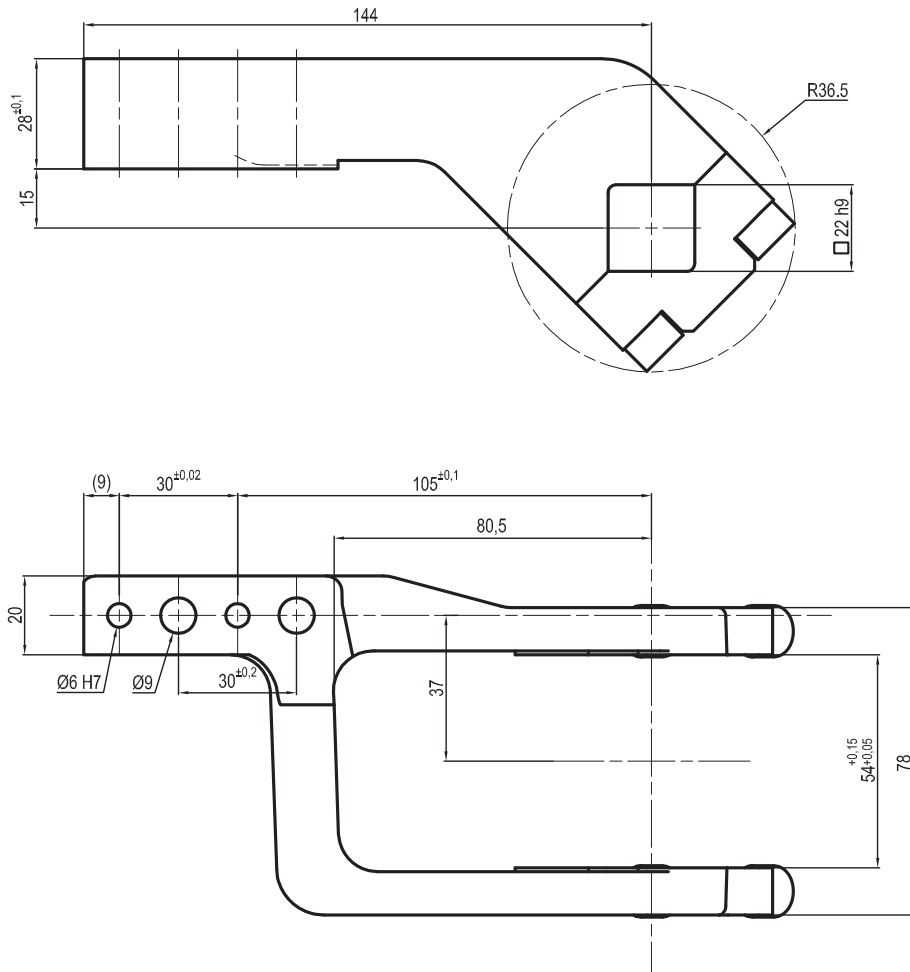
THE CLAMPING ARM INCLUDES THE NECESSARY SCREWS

Subject to technical modifications without notice

Rev. 02 28.04.16

UP310151442A

□ 22 mm - offset 15 mm



Clamp size	Material	Weight
63 mm	Aluminium	0,3 Kg

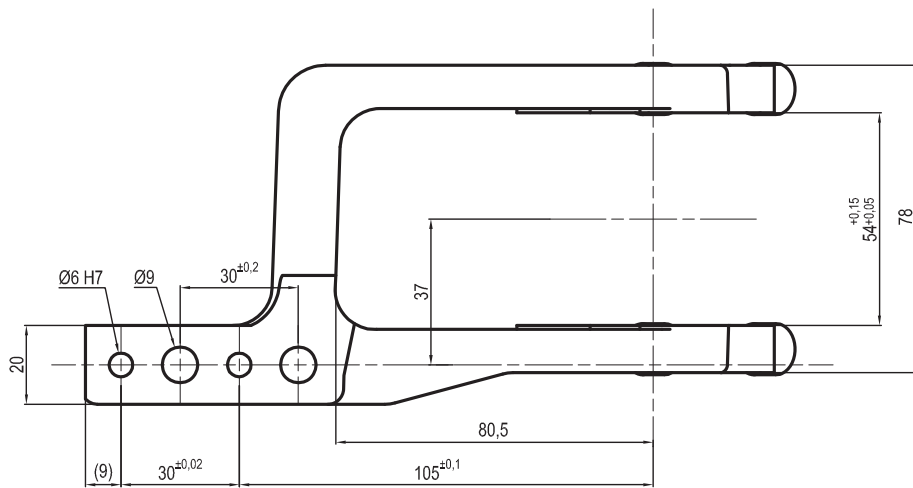
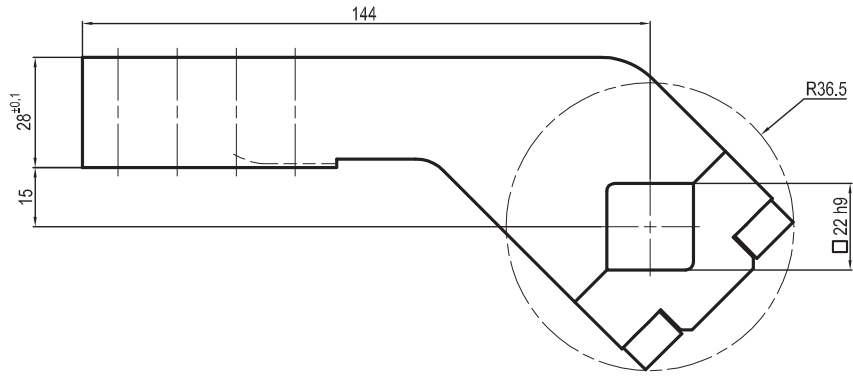
THE CLAMPING ARM INCLUDES THE NECESSARY SCREWS

Subject to technical modifications without notice

Rev. 03 15.07.16

UP310151443A

□ 22 mm - offset 15 mm



Clamp size	Material	Weight
63 mm	Aluminium	0,3 Kg

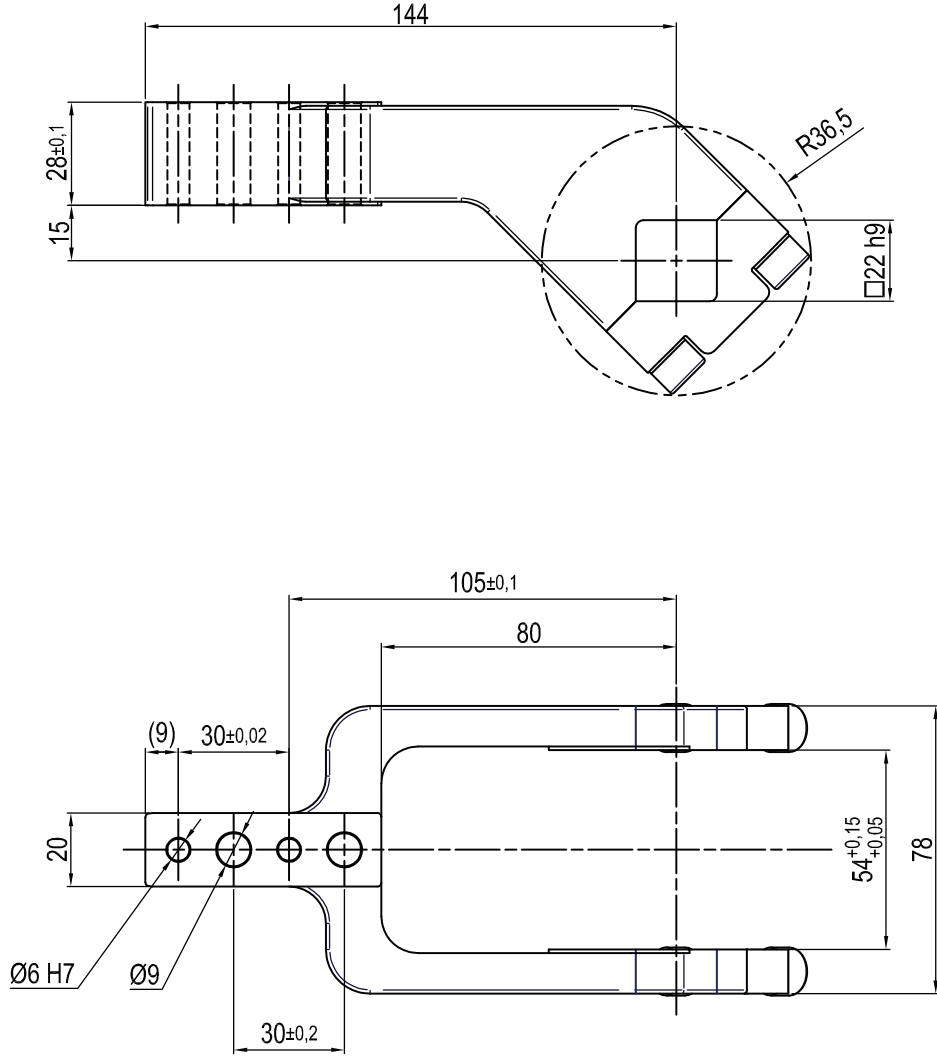
THE CLAMPING ARM INCLUDES THE NECESSARY SCREWS

Subject to technical modifications without notice

Rev. 03 15.07.16

UP310151441S

□ 22 mm - offset 15 mm



Clamp size	Material	Weight
63 mm	Steel	1,2 Kg

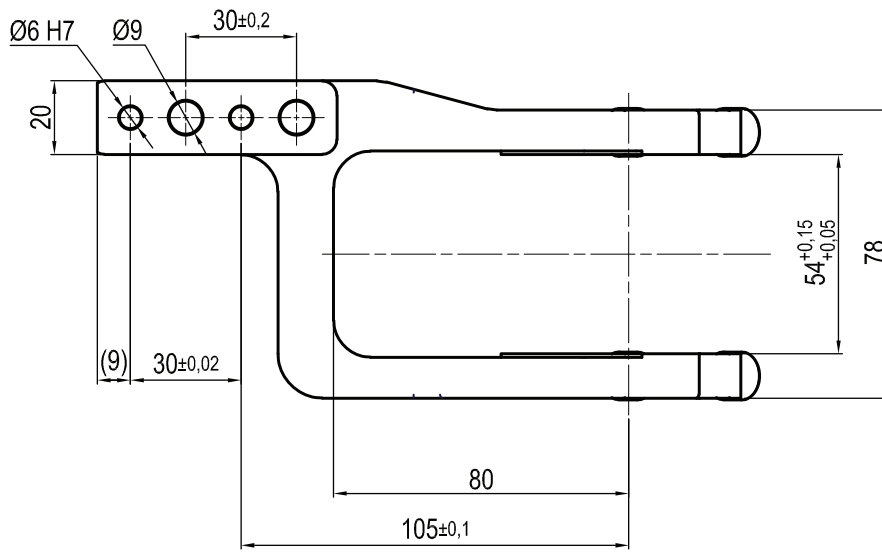
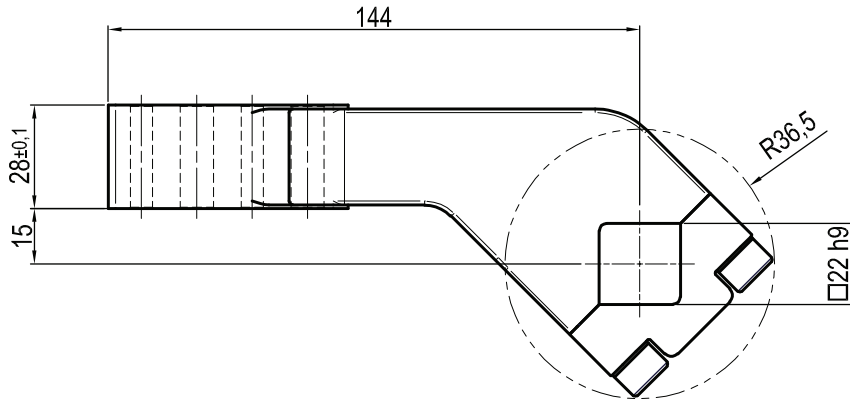
THE CLAMPING ARM INCLUDES THE NECESSARY SCREWS

Subject to technical modifications without notice

Rev. 00 26.08.20

UP310151442S

□ 22 mm - offset 15 mm



Clamp size	Material	Weight
63 mm	Steel	1,2 Kg

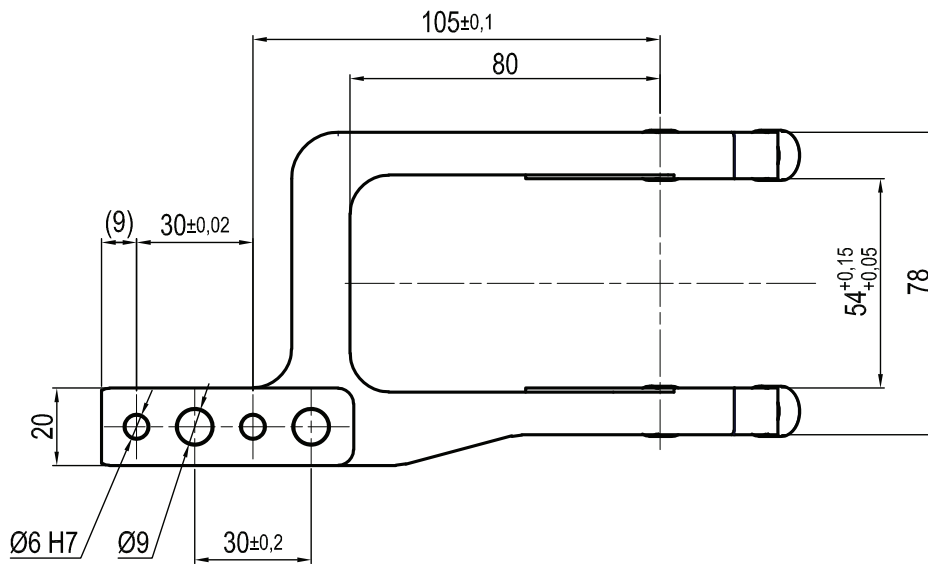
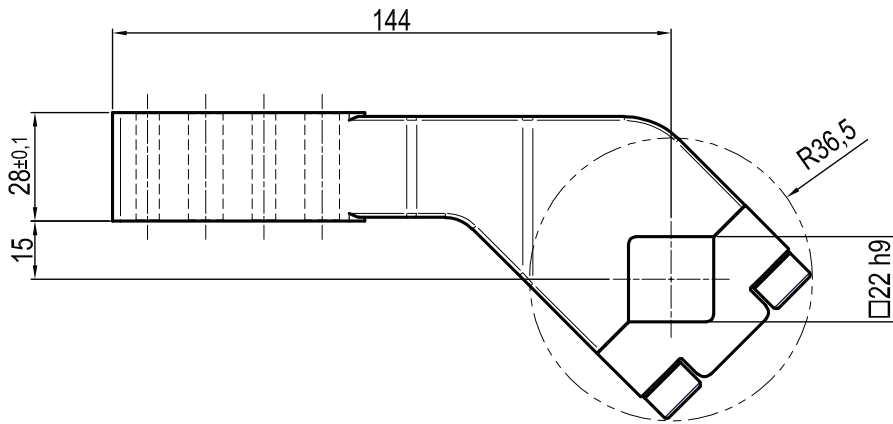
THE CLAMPING ARM INCLUDES THE NECESSARY SCREWS

Subject to technical modifications without notice

Rev. 00 26.08.20

UP310151443S

□ 22 mm - offset 15 mm



Clamp size	Material	Weight
63 mm	Steel	1,2 Kg

THE CLAMPING ARM INCLUDES THE NECESSARY SCREWS

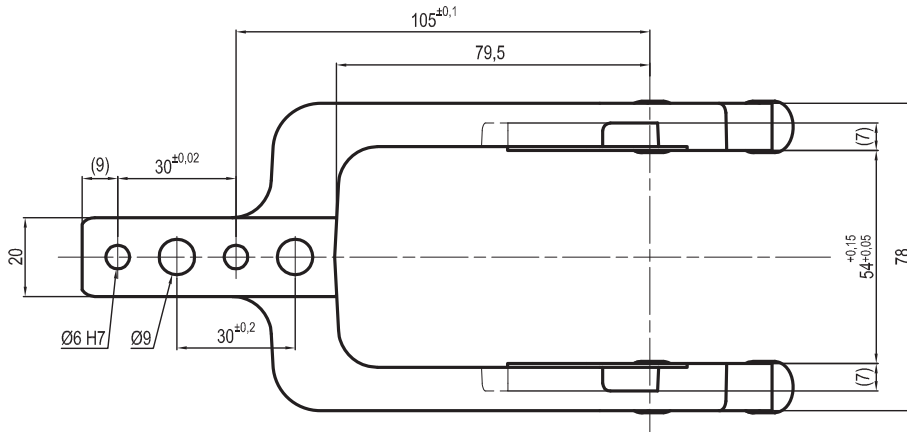
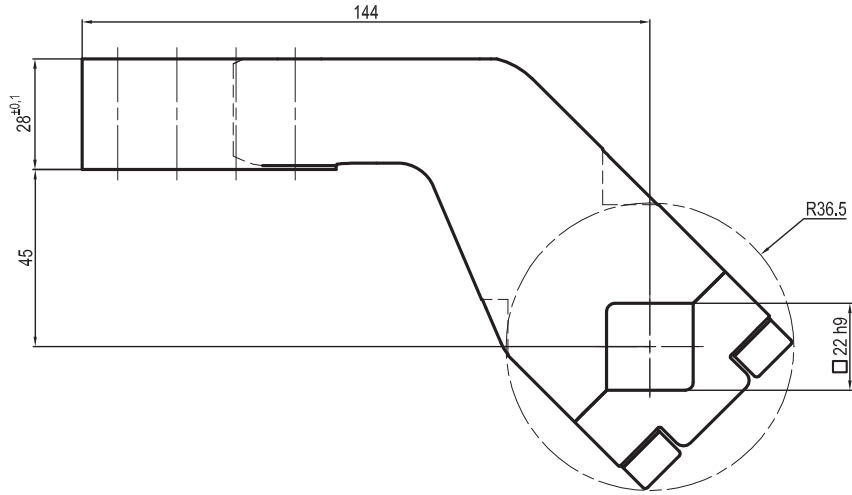
Subject to technical modifications without notice

Rev. 00 25.08.20



UP310451441A

□ 22 mm - offset 45 mm



Clamp size	Material	Weight
63 mm	Aluminium	0,3 Kg

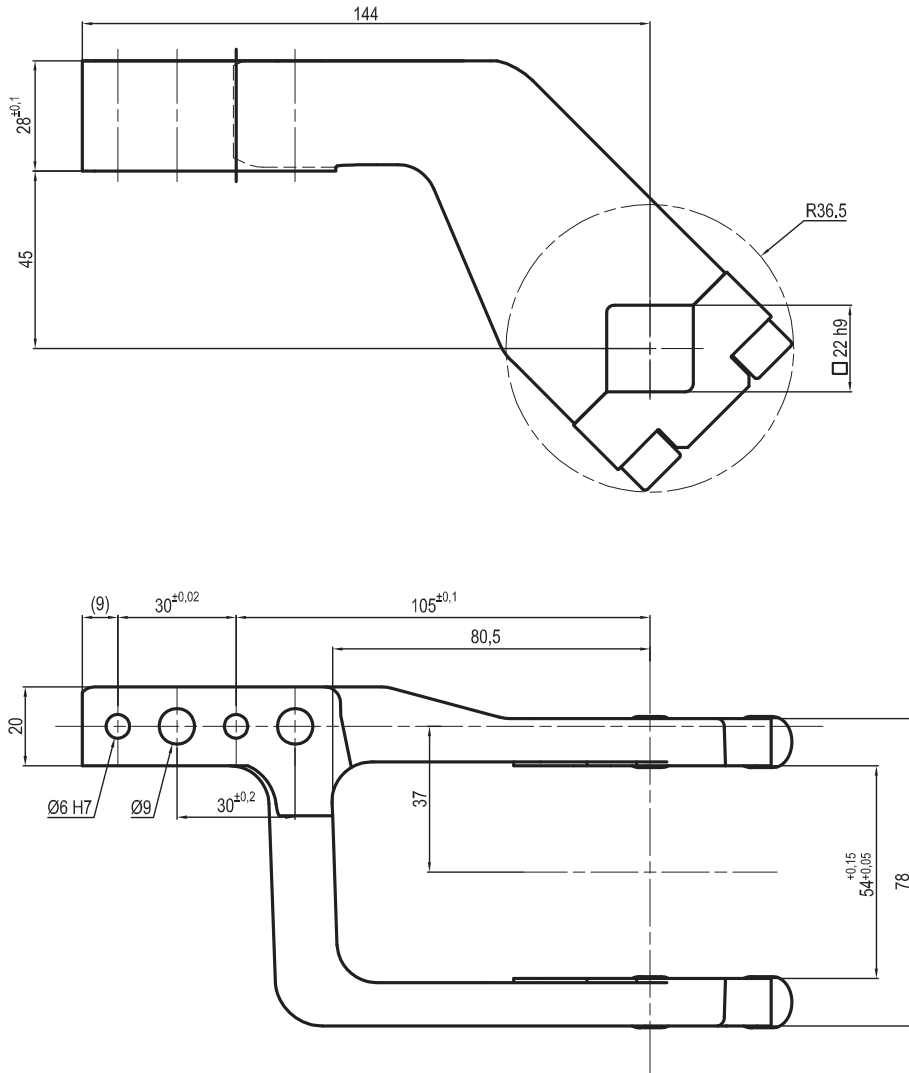
THE CLAMPING ARM INCLUDES THE NECESSARY SCREWS

Subject to technical modifications without notice

Rev. 03 15.07.16

UP310451442A

□ 22 mm - offset 45 mm



Clamp size	Material	Weight
63 mm	Aluminium	0,3 Kg

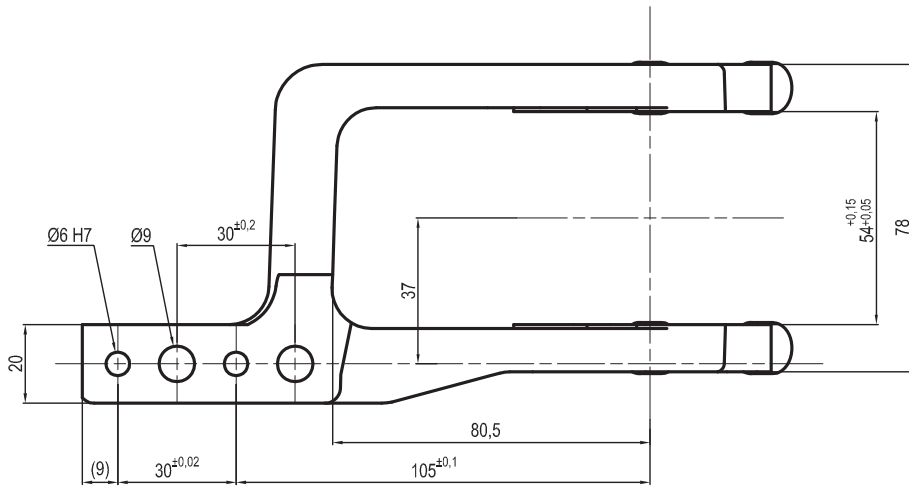
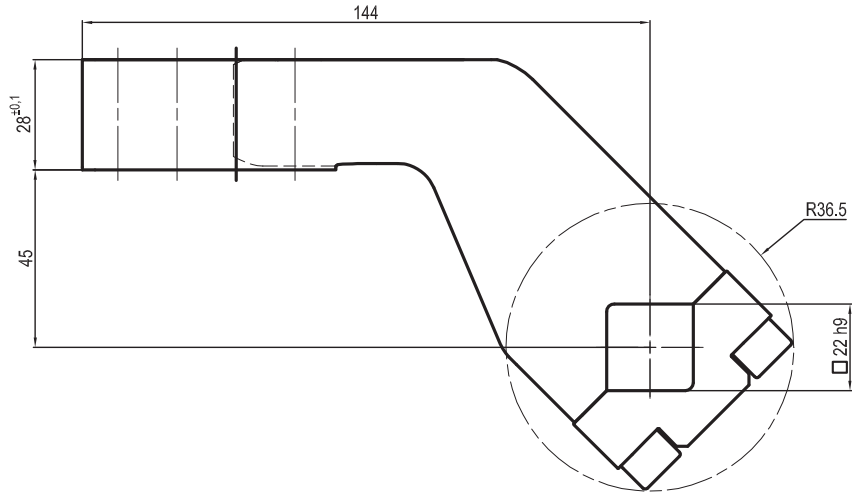
THE CLAMPING ARM INCLUDES THE NECESSARY SCREWS

Subject to technical modifications without notice

Rev. 03 15.07.16

UP310451443A

□ 22 mm - offset 45 mm



Clamp size	Material	Weight
63 mm	Aluminium	0,3 Kg

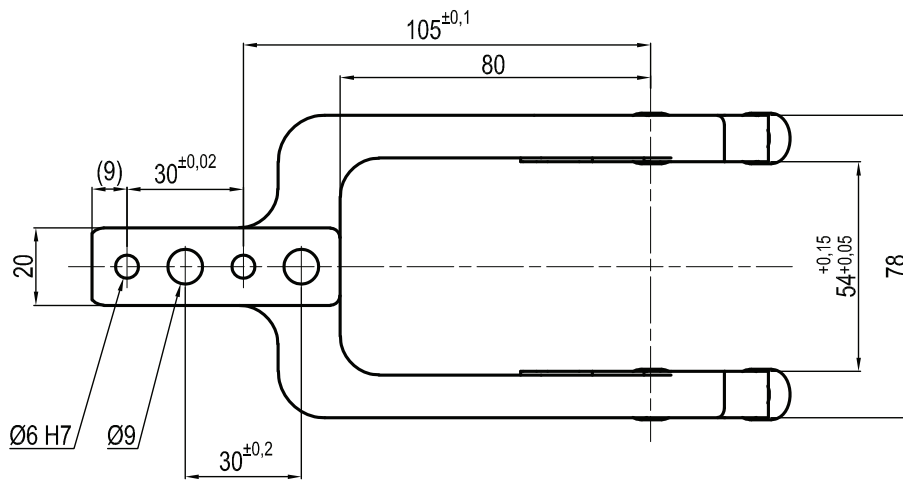
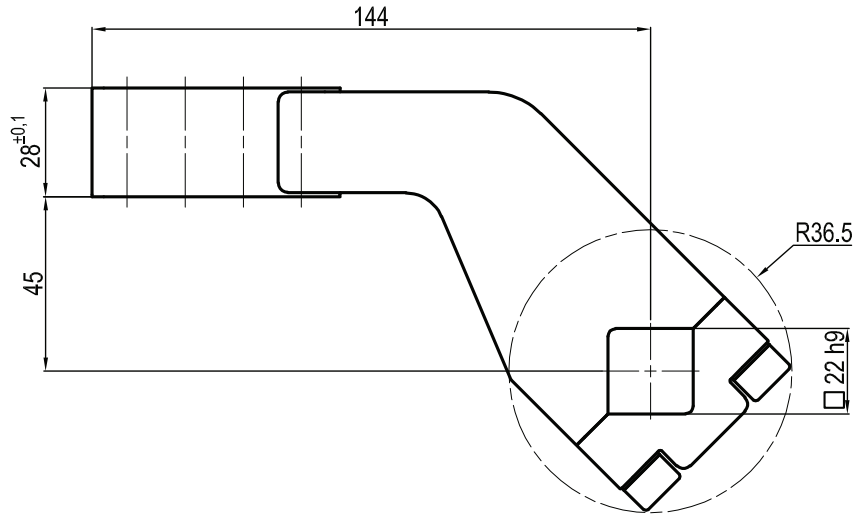
THE CLAMPING ARM INCLUDES THE NECESSARY SCREWS

Subject to technical modifications without notice

Rev. 03 18.07.16

UP310451441S

□ 22 mm - offset 45 mm



Clamp size	Material	Weight
63 mm	Steel	1,4 Kg

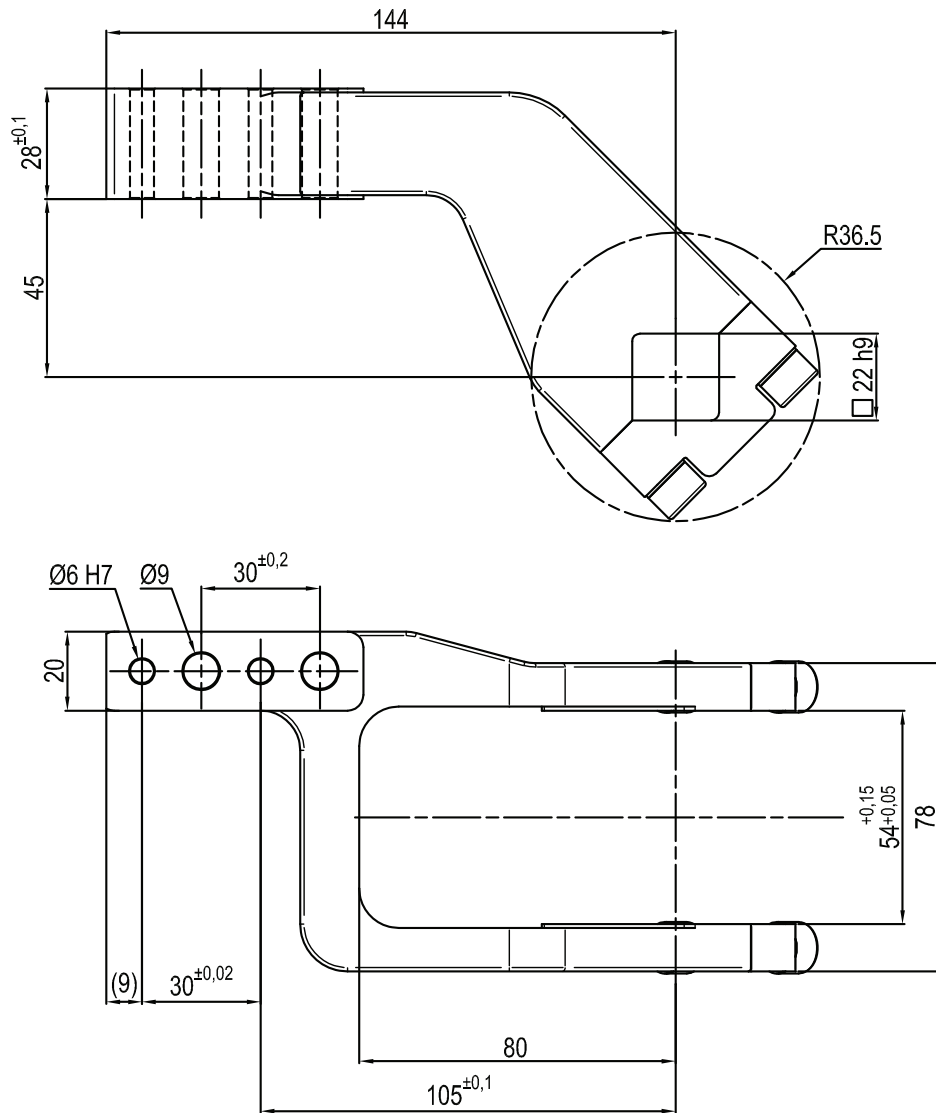
THE CLAMPING ARM INCLUDES THE NECESSARY SCREWS

Subject to technical modifications without notice

Rev. 00 25.08.20

UP310451442S

□ 22 mm - offset 45 mm



Clamp size	Material	Weight
63 mm	Steel	1,4 Kg

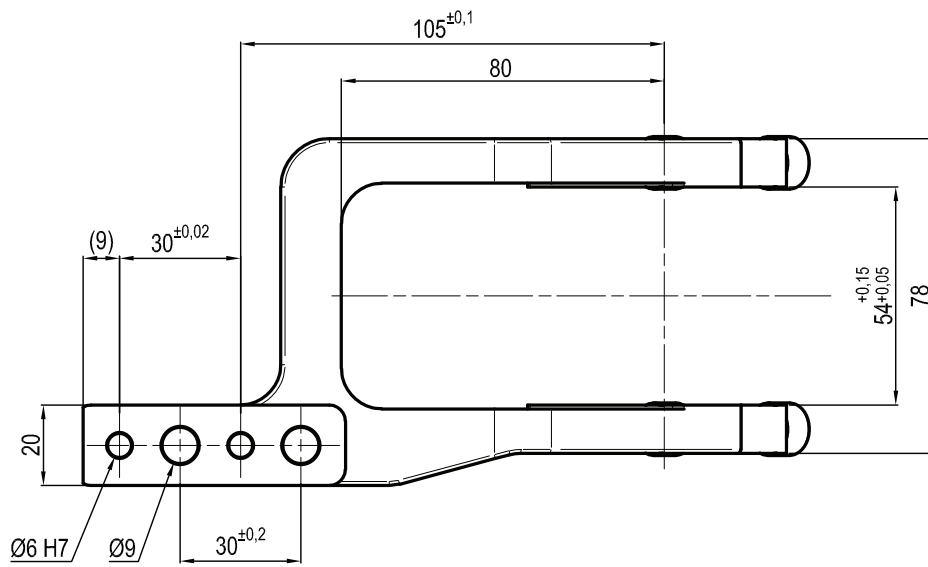
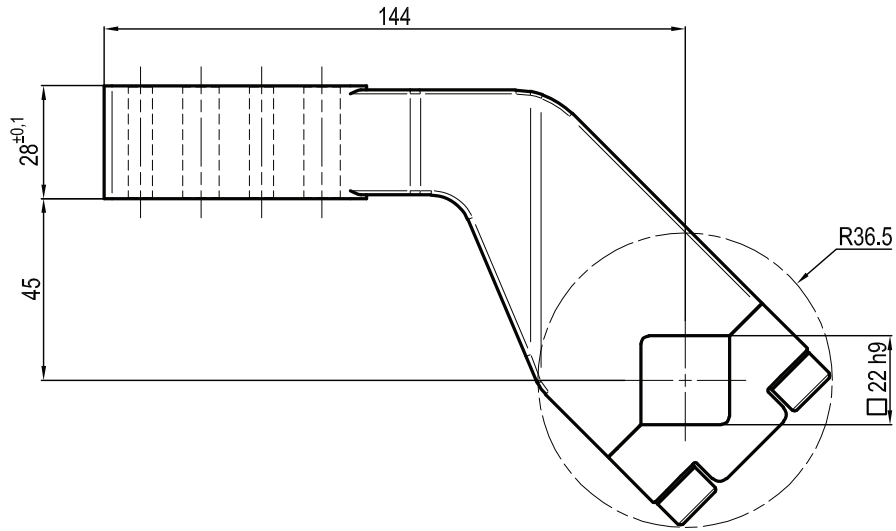
THE CLAMPING ARM INCLUDES THE NECESSARY SCREWS

Subject to technical modifications without notice

Rev. 00 26.08.20

UP310451443S

□ 22 mm - offset 45 mm



Clamp size	Material	Weight
63 mm	Steel	1,4 Kg

THE CLAMPING ARM INCLUDES THE NECESSARY SCREWS

Subject to technical modifications without notice

Rev. 00 26.08.20