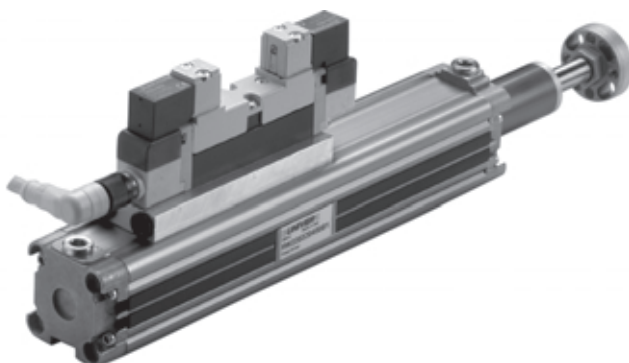




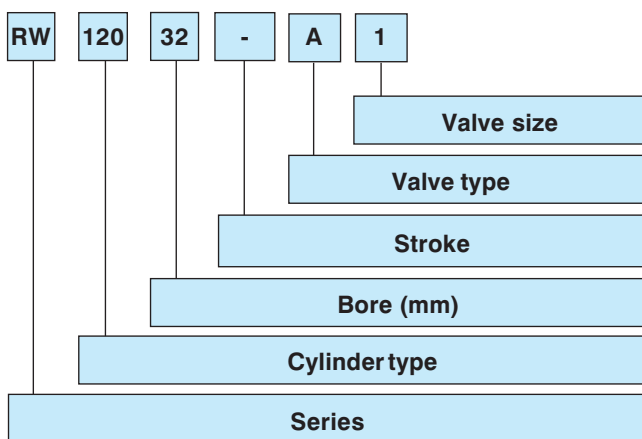
Cylinders with the same technical characteristics as those of the respective RT series with integrated 5/2-5/3 solenoid valve of VDMA series side 18 or 26 mm. Pressure and exhaust take place directly from the connection plate between valve and cylinder with the possibility to regulate the exhausts. These new cylinder types make it possible to obtain the desired application in one only solution. It is possible to operate the electrical connection M12 also from a PLC.

### TECHNICAL CHARACTERISTICS

As far as the technical and functional characteristics of the cylinders and the valves are concerned, please refer to the respective series on page 26-II. (Section High-Tech) and page 72-III (section valves).



#### Codification key



**SERIES**  
**RW** = Telescopic cylinder magnetic version only 1<sup>st</sup> stage with integrated valve

**CYLINDER TYPE**  
**RW series**  
 120 2 stages stainless steel  
 130 3 stages stainless steel  
 220 2 stages chromium-plated steel  
 230 3 stages chromium-plated steel

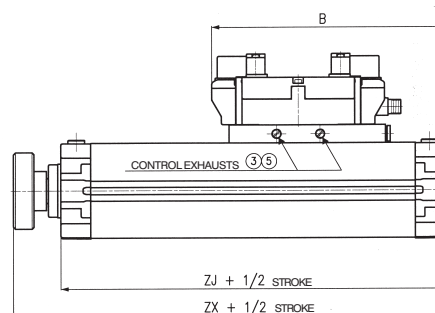
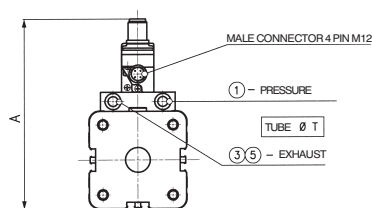
**BORE**  
 32 - 40 - 50 - 63 mm

**STROKE**  
 Minimum stroke 2 stages 300 mm  
 Minimum stroke 3 stages 360 mm

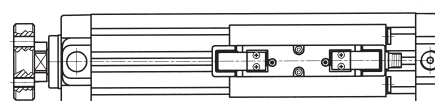
**VALVE TYPE**  
**A** = VDMA valve 24 Vd.c. M12 connector 5/2 monostable electric/pneumatic spring  
**B** = VDMA valve 24 Vd.c. M12 connector 5/2 bistable electric/electric  
**C** = VDMA valve 24 Vd.c. M12 connector 5/3 closed centres electric/electric  
**D** = VDMA valve 24 Vd.c. M12 connector 5/3 open centres electric/electric  
**E** = VDMA valve 24 Vd.c. M12 connector 5/3 pressurized centres electric/electric

**VALVE SIZE**  
**1** = VDMA 18 mm for  $\varnothing$  32-40-50 mm  
**2** = VDMA 26 mm for  $\varnothing$  63 mm

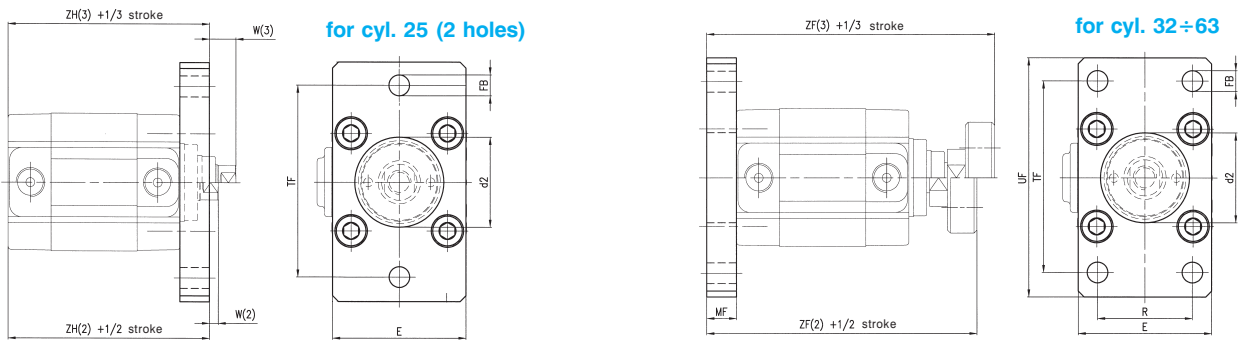
#### Overall dimensions



Cyl. Ø				Minimum stroke telescopic cylinder					
	A	B	T	2 stages		3 stages			
32	107,5	169	6	225	269	289	-	-	-
40	117,5	169	6	220	264	283	330	374	403
50	127,5	169	6	220	264	287	330	374	405
63	153	184	8	240	288,5	311,5	360	408,5	440,5

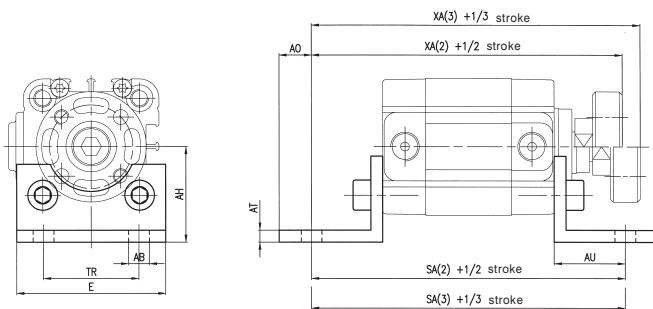


### Front or rear flange in zinc-plated steel



Cyl. $\varnothing$	$\varnothing d_2$ H11	E	$\varnothing FB$ H13	W(2)	W(3)	MF	R JS14	TF JS14	UF	ZF(2)	ZF(3)	ZH(2)	ZH(3)	Mass Kg	Part number
25	24	40	6,6	7	-	10	-	60	76	83	-	58	-	0,18	RTF-12025
32	30	45	7	3	-	10	32	64	80	91	-	68	-	0,20	KF-12032
40	35	52	9	2	12	10	36	72	90	92	102	70	70	0,25	KF-12040
50	44	65	9	3	12	12	45	90	110	100	109	73	73	0,50	RTF-12050
63	52	75	9	3	13	12	50	100	120	104	114	77	77	0,65	RTF-12063

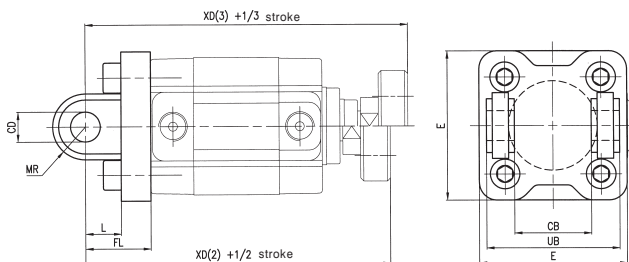
### Angle brackets in zinc-plated steel



Fixing screws see page 51-I  
(for cylinders  $\varnothing 25$ , page 35-I)

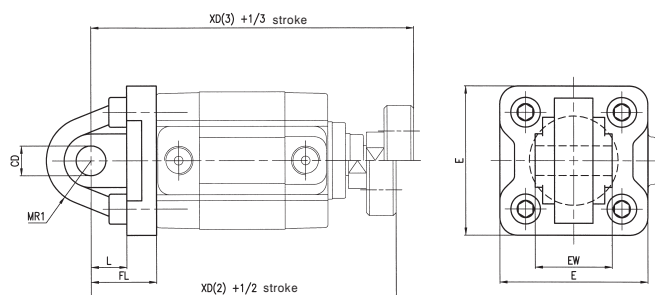
Cyl. $\varnothing$	$\varnothing AB$ H13	AH JS15	AO max	AT	AU $\pm 0,2$	E max	SA(2)	SA(3)	TR	XA(2)	XA(3)	Mass Kg	Part number
25	6,6	30	6	4	16	40	80	-	26	89	-	0,04	RTF-13025
32	7	32	11	4	24	50	106	-	32	105	-	0,07	KF-13032
40	9	36	15	4	28	58	116	116	36	110	120	0,09	KF-13040
50	9	45	15	5	32	70	125	125	45	120	129	0,20	RTF-13050
63	9	50	15	5	32	85	129	129	50	124	134	0,20	RTF-13063

### Female rear hinge in die-cast aluminium with pin in zinc-plated steel



Cyl. $\varnothing$	CB H14	$\varnothing CD$ H9	E	FL	L	MR	UB h14	XD(2)	XD(3)	Mass Kg	Part number
32	26	10	48	22	12	11	45	103	-	0,06	KF-10032A
40	28	12	54	25	15	13	52	107	117	0,08	KF-10040A
50	32	12	65	27	15	13	60	115	124	0,15	KF-10050A
63	40	16	75	32	20	17	70	124	134	0,25	KF-10063A

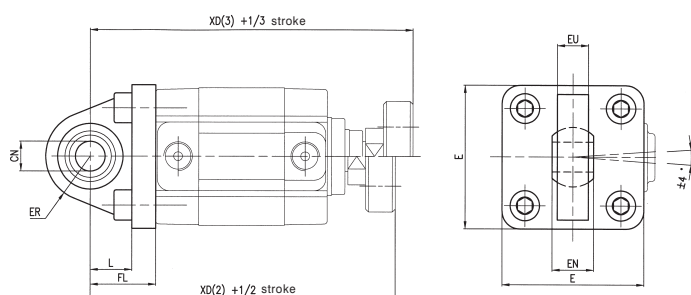
### Male rear hinge in die-cast aluminium



For cyl. ø 25 it is possible to use the male hinge together with the female hinge MF-21025 of microcylinders ISO 6432

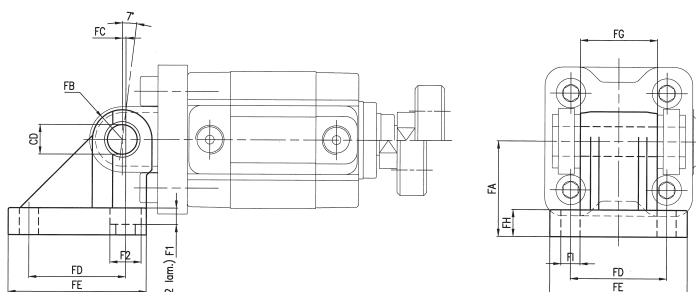
Cyl. Ø	ØCD H9	E	EW tol. ±0,2	FL	L	MR1	XD(2)	XD(3)	Mass Kg	Part number
25	8	38	16	20	14	8	93	-	0,027	RPF-11025
32	10	48	26	22	12	15	103	-	0,08	KF-11032
40	12	54	28	25	15	18	107	117	0,10	KF-11040
50	12	65	32	27	15	20	115	124	0,17	KF-11050
63	16	75	40	32	20	23	124	134	0,25	KF-11063

### Articulated male rear hinge in die-cast aluminium



Cyl. Ø	ØCN H9	E	EN	ER	EU	FL	L	XD(2)	XD(3)	Mass kg	Part number
32	10	48	14	15	10,5	22	14	103	-	0,10	KF-11032S
40	12	54	16	18	12	25	16,5	107	117	0,20	KF-11040S
50	12	65	16	20	12	27	17,5	115	124	0,30	KF-11050S
63	16	75	21	23	15	32	21,5	124	134	0,35	KF-11063S

### Counter-hinge 90° in die-cast aluminium



Fixing screws refer to page 51-I (for cyl. Ø 25, page 35-I)

Cyl. Ø	ØCD H9	FA Js15	FB	FC	FD	FE	FG ±0,2	FH	Ø F1	Ø F2	Mass kg	Part number	
32	10	32	10	1,2	32,5	46,5	26	9	6,4	5,5	10,5	0,10	KF-19032
40	12	36	12	2,6	38	51,5	28	9	6,4	5,5	10,5	0,20	KF-19040
50	12	45	12	0,3	46,5	63,5	32	9	8,4	5	13,5	0,30	KF-19050
63	16	50	16	3,3	56,5	73,5	40	10,5	8,4	5	13,5	0,35	KF-19063