

CSA-UL



Electropilots with "CSA" - "UL" Certification

Electropilots and valves are supplied with coils certified for United States and Canada.

Products with this mark are certified by the Canadian CSA organization in compliance with the standards required by USA (US on the right of the logo) and Canada market (C on the left of the logo).

Certification N° 244884.

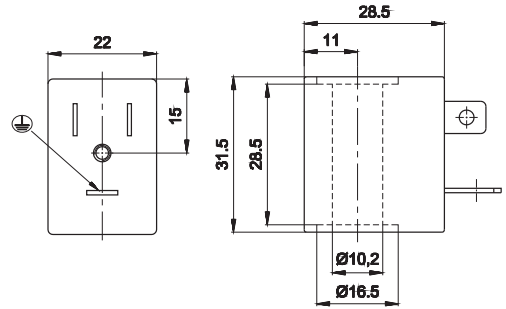
In compliance with:

CSA C22.2 No. 139-13

UL 429: 2013



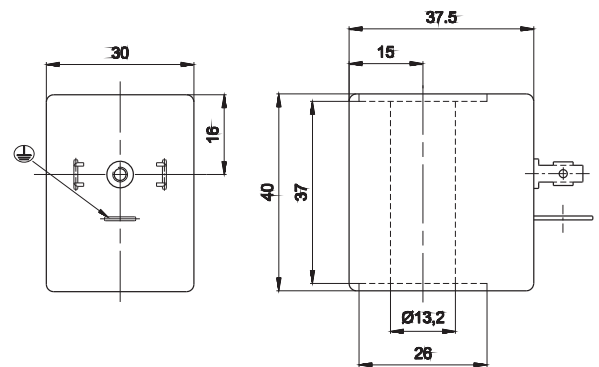
■ U1 22 mm coil to be used with U1 electropilot



Duty cycle ED (a)	Ambient temperature	Power consumption W		Tension Tolerance	Rated voltage	Weight Kg	Part no.
		Hold	Inrush				
100	-10°C+45°C	3,5	3,5	±10	12 V DC	0,06	DA-U050
100	-10°C+45°C	3,5	3,5	±10	24 V DC	0,06	DA-U051
100	-10°C+45°C	6	6	±10	12 V DC*	0,06	DA-U101
100	-10°C+45°C	6	6	±10	24 V DC	0,06	DA-U102
100	-10°C+45°C	6	6	±10	48 V DC*	0,06	DA-U103
100	-10°C+45°C	6	6	±10	110 V DC*	0,06	DA-U104
100	-10°C+45°C	5 VA (Max)	7,8 VA (Max)	±10	24 V AC/50-60 HZ	0,06	DA-U106
100	-10°C+45°C	5 VA (Max)	7,8 VA (Max)	±10	110 V AC/50-60 HZ	0,06	DA-U108
100	-10°C+45°C	5 VA (Max)	7,8 VA (Max)	±10	230 V AC/50-60 HZ	0,06	DA-U124

(*) = upon request

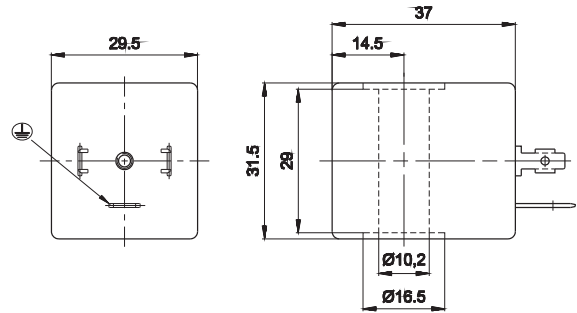
■ U2 30 mm coil to be used with U2 electropilot



Duty cycle ED (a)	Ambient temperature	Power consumption W		Tension Tolerance	Rated voltage	Weight Kg	Part no.
		Hold	Inrush				
100	-10°C+45°C	11	11	±10	12 V DC	0,10	DB-U501
100	-10°C+45°C	11	11	±10	24 V DC	0,10	DB-U502
100	-10°C+45°C	11	11	±10	48 V DC*	0,10	DB-U503
100	-10°C+45°C	11	11	±10	110 V DC*	0,10	DB-U504
100	-10°C+45°C	10 VA (Max)	16 VA (Max)	±10	24 V AC/50-60 HZ	0,10	DB-U507
100	-10°C+45°C	10 VA (Max)	16 VA (Max)	±10	110 V AC/50-60 HZ	0,10	DB-U509
100	-10°C+45°C	10 VA (Max)	16 VA (Max)	±10	230 V AC/50-60 HZ	0,10	DB-U510

(*) = upon request


■ U3 30 mm coil to be used with U1 electropilot

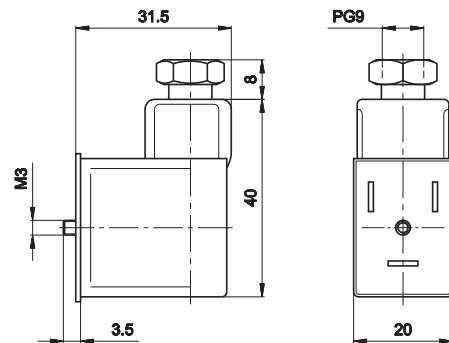


Duty cycle ED(a)	Ambient temperature	Power consumption W		Tension tolerance	Rated voltage	Weight Kg	Part no.
		Hold	Inrush				
100	-10°C+45°C	2,5	2,5	±10	12 V DC	0,08	DC-U301
100	-10°C+45°C	2,5	2,5	±10	24 V DC	0,08	DC-U302
100	-10°C+45°C	2,5	2,5	±10	110 V DC*	0,08	DC-U304
100	-10°C+45°C	3,3 VA (Max)	5 VA (Max)	±10	24 V AC/50-60 HZ	0,08	DC-U307
100	-10°C+45°C	3,3 VA (Max)	5 VA (Max)	±10	110 V AC/50-60 HZ	0,08	DC-U309
100	-10°C+45°C	3,3 VA (Max)	5 VA (Max)	±10	230 V AC/50-60 HZ	0,08	DC-U310

(a) = Under continuous service maximum temperature will not compromise the functioning of the coil provided that the working position is ventilated.
 (*) = Upon request

Connector for U1 coil

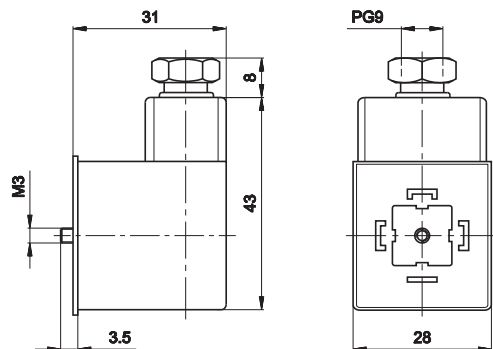
Coil	Part no.
CONNECTOR	
	U1 AM-5110



Protection according to IP 65. PG9 cable connection. 180° rotation on the coil LED and moulded cable are available upon request.

Connector for U2, U3 coil

Coil	Part no.
DIN 43650 CONNECTOR	
	U2/U3 AM-5111



Protection according to IP 65. PG9 cable connection. 360° rotation on the coil. LED and moulded cable are available upon request.

Coils matching with electropilots/valves

<p>■ AA U1 Miniature electropilots</p> 	<p>■ AB U2 Miniature electropilots</p> 	<p>■ BE ISO 5599/1 valves size 1-2-3-4</p> 
<p>■ AE ISO 5599/1 light series valves size 1-2</p> 	<p>■ AC-N NAMUR valves</p> 	<p>■ CL/CM UNIVERSAL valves G1/8 - G1/4</p> 
<p>■ G7 26 mm - valves and solenoid valves</p> 	<p>■ AC MIXED valves G1/8 - G1/4 - G1/2</p> 	<p>■ AF Poppet valves for compressed air G1/8 ÷ G1 1/2</p> 
<p>■ AG Poppet valves for vacuum G1/8 ÷ G1 1/2</p> 	<p>■ HZE1S Shut-off valves</p> 	

For technical details on electropilots/valves refer to our technical catalogue

UNIVER S.p.A.

Headquarters

I - 20128 **Milano**
Via Eraclito, 31
Tel. +39 02 25298.1
Fax +39 02 2575254
info@univer-group.com
www.univer-group.com

UNIVER SERVICE S.r.l.

Headquarters

I - 20128 **Milano**
Via Empedocle, 20
Tel. +39 02 25298.1
Fax +39 02 25298370
universervice@universervice.it
www.universervice.it

Branch Offices

LOMBARDIA

I - 20128 **Milano**
Via Empedocle, 20
Tel. +39 02 25298.1
Fax +39 02 25298370
universervice@universervice.it

PIEMONTE/LIGURIA/VALLE D'AOSTA

I - 10071 Borgaro Torinese **Torino**
Via Veneto, 18
Tel. +39 011 4501871
Fax +39 011 4502898
torino@universervice.it

VENETO/FRIULI VENEZIA-GIULIA

TRENTINO-ALTO ADIGE

I - 30030 Vigonovo **Venezia**
Via Prima strada 16/A - Loc. Galta
Tel. +39 049 9834140
Fax +39 049 9833972
vigonovo@universervice.it

EMILIA ROMAGNA

I - 40069 Zola Predosa **Bologna**
Via Balzani, 5
Tel. +39 051 753907
Fax +39 051 6184751
bologna@universervice.it

CENTRO/SUD

I - 40069 Zola Predosa **Bologna**
Via Balzani, 5
Tel. +39 051 753907
Fax +39 051 6184751
bologna@universervice.it

UNIVER DO BRASIL S/A

BRAZIL - 13474-764
Americana São Paulo
Rua do Polyester, 29
Distrito Industrial Abdo Najar
Tel. +55 19 3113-9400
Fax +55 19 3113-9405
atendimento@univer.com.br

UNIVER CHINA

CHINA - Shanghai
399 Fu Te North Road,
Free Zone, Pudong
info@univer-china.com

UNIVER FRANCE S.a.s.

FRANCE - 68000
Colmar
1, rue Denis Papin
Tel. +33 3 89210900
Fax +33 3 89216850
info@univer-france.fr

UNIVER G.m.b.H.

GERMANY - D-65428
Rüsselsheim
Eisenstraße 51
Tel. +49 6142 408320
Fax +49 6142 4083290
info@univer-gmbh.de

UNIVER NORTH AMERICA

USA - 48312
Sterling Heights - Michigan
6620 Cobb Drive
Tel. +1 248 299 0525
Fax +1 248 299 0528
info@univer-group.us

UNIVER POLSKA Sp. z o.o.

POLAND - 25-663
Kielce
ul. K. Olszewskiego 21E
Tel. +48 41 278 72 53
Fax +48 41 278 72 54
univer@univer-group.pl

UNIVER S.L.

SPAIN - 08210
Barbera Del Valles Barcelona
Ronda Industria, 26 - 28
Tel. +34 93 7297360
Fax +34 93 7297380
univer@univerweb.com



www.univer-group.com

Distributors worldwide:

Get in touch with UNIVER Sales Department
or visit our website www.univer-group.com