

# LCP63





Pneumatic retractable locating pin unit,  
single rod



L	C	P	6	3	0	5	0	K	A	E	R
1	2	3	4		5	6	7	8			

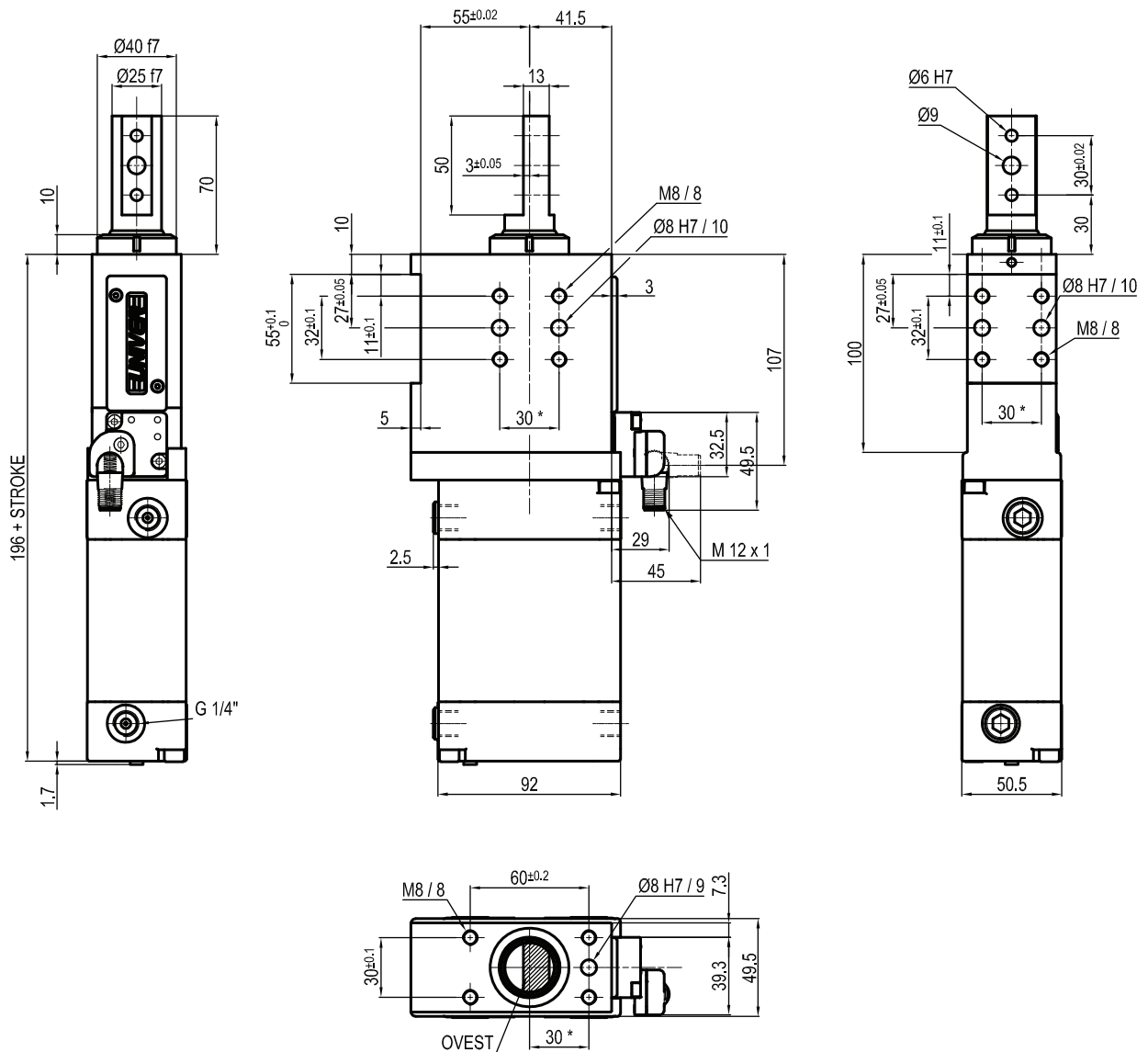
<b>1 Series</b>	<b>2 Version</b>	<b>3 Size</b>
LC = Retractable locating pin unit	P = Pneumatic, single rod	63 = Ø 63 mm

<b>4 Strokes</b>	<b>5 Sensor</b>	<b>6 Rod end style</b>
<b>015</b> = 15 mm <b>025</b> = 25 mm <b>040</b> = 40 mm <b>050</b> = 50 mm <b>060</b> = 60 mm	<b>D</b> = Pneumatic sensor <b>N</b> = No sensor (with protection plate) <b>K</b> = Electronic sensor PNP (optical) (DF-K)	<b>A</b> = Rod for off-set pins <b>B</b> = Rod with profiled end <b>C</b> = Rod with cross-profiled end inner Ø 16 mm <b>D</b> = Rod for off-set pins with oversized dowel holes <b>E</b> = Rod with cross-profiled end inner Ø 10 mm <b>F</b> = Rod for side mounting <b>H</b> = Rod with flat end, inner Ø 10 mm <b>I</b> = Rod with flat end, inner Ø 12 mm <b>L</b> = Rod with 12 mm hole compatible with CNOMO LCG <b>M</b> = Rod with 20 mm hole compatible with CNOMO LCG

<b>7 Rod orientation</b>	<b>8 Option</b>
<b>E</b> = East, standard  <b>O</b> = West  <b>N</b> = North  <b>S</b> = South 	<b>R</b> = Metallic rod scraper <b>B</b> = Double internal guide and metallic rod scraper

Only with A and D rod end styles

## LCP63\_\_KA\_R



Bore $\varnothing$	Max. pull force 0,5 MPa	Max. push force 0,5 MPa	Max. torque 6 Nm	Max. deflection moment 7,5 Nm	Weight
63 mm	860 N	960 N	± 0,06°	± 0,03°	3,4

 Min./Max. operating pressure: **0,4 / 0,6 MPa**

 Operating temperature: **5° ± 45° C**

 Strokes in mm.: **15 - 25 - 40 - 50 - 60**

Electronic sensor with M12 swivel connector, from 0° to 90°

Supply voltage: 10 ÷ 30 Vdc

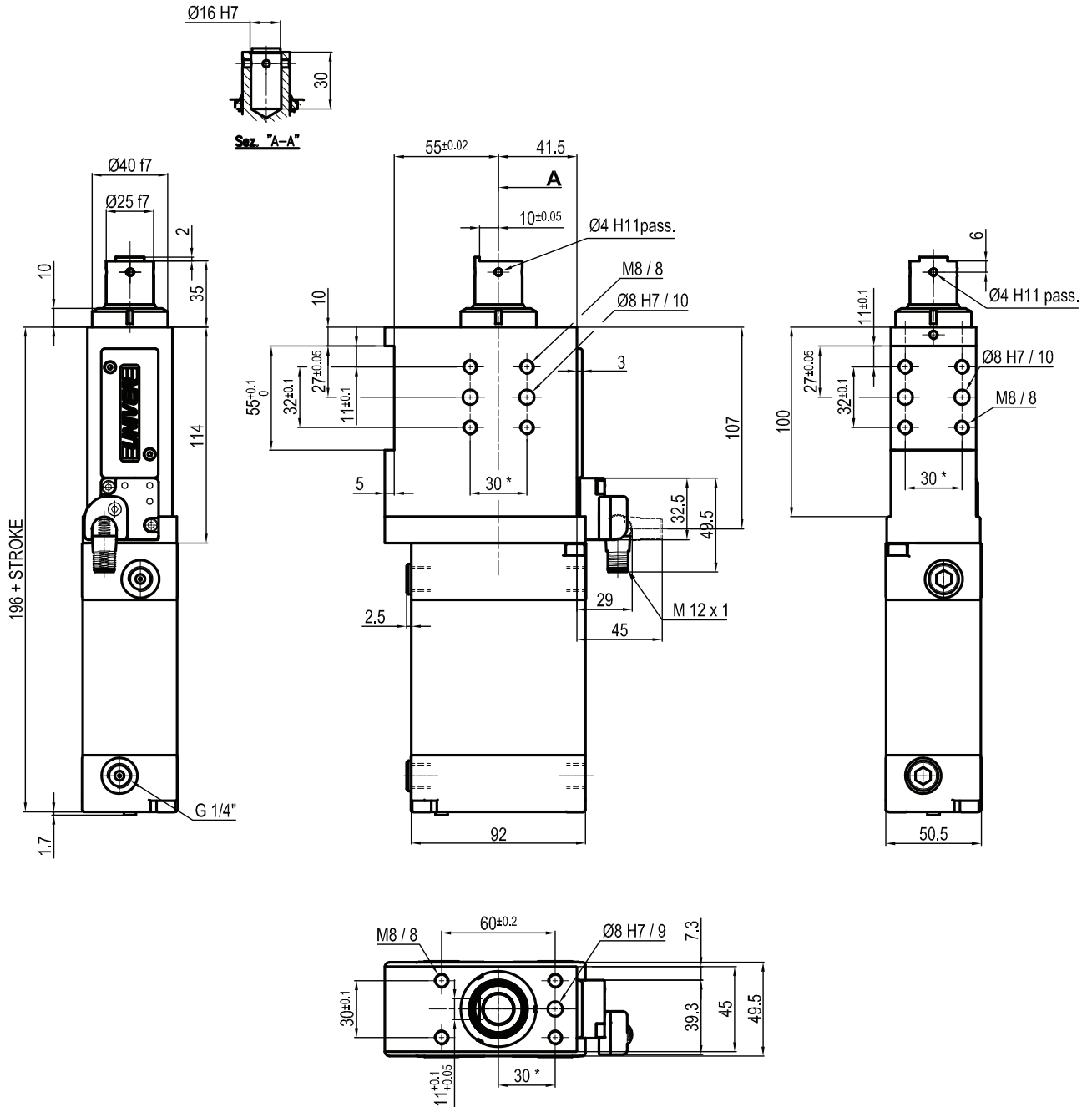
 IP code: **IP 65**

Pneumatic ports on both sides

\* : TOLERANCE BETWEEN DOWELS ± 0,02, BETWEEN SCREW HOLES ± 0,1

Subject to technical modifications without notice

## LCP63\_\_KBR



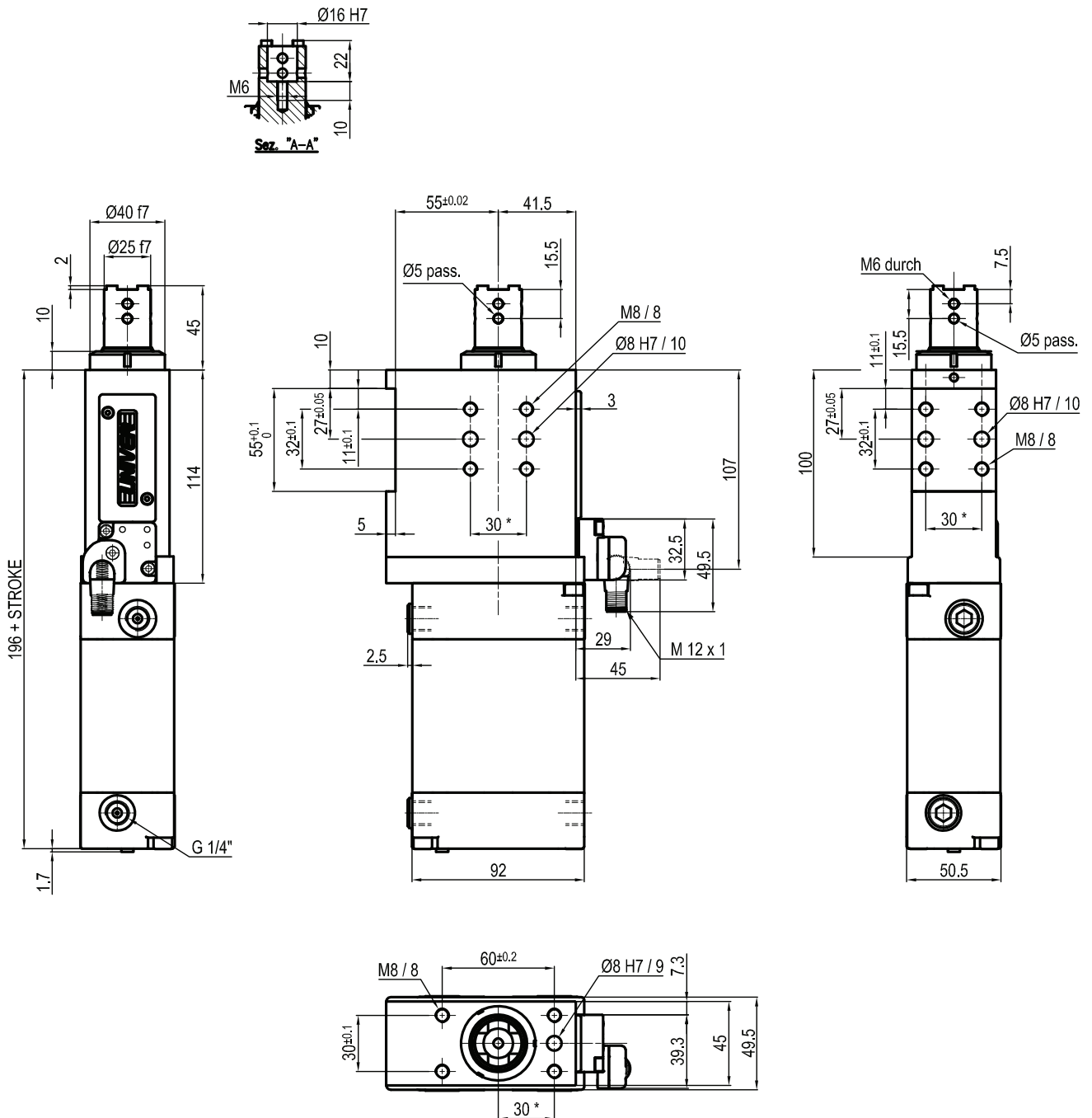
Bore $\varnothing$	Max. pull force 0,5 MPa	Max. push force 0,5 MPa	Max. torque 6 Nm	Max. deflection moment 7,5 Nm	Weight
63 mm	860 N	960 N	± 0,06°	± 0,03°	3,4 Kg

Min./Max. operating pressure: **0,4 / 0,6 MPa**  
 Operating temperature: **5° ± 45° C**  
 Strokes in mm.: **15 - 25 - 40 - 50 - 60**  
 Electronic sensor with M12 swivel connector, from 0° to 90°  
 Supply voltage: 10 ÷ 30 Vdc  
 IP code: **IP 65**  
 Pneumatic ports on both sides

\* : TOLERANCE BETWEEN DOWELS ± 0,02, BETWEEN SCREW HOLES ± 0,1

Subject to technical modifications without notice

## LCP63\_ \_ \_KCR



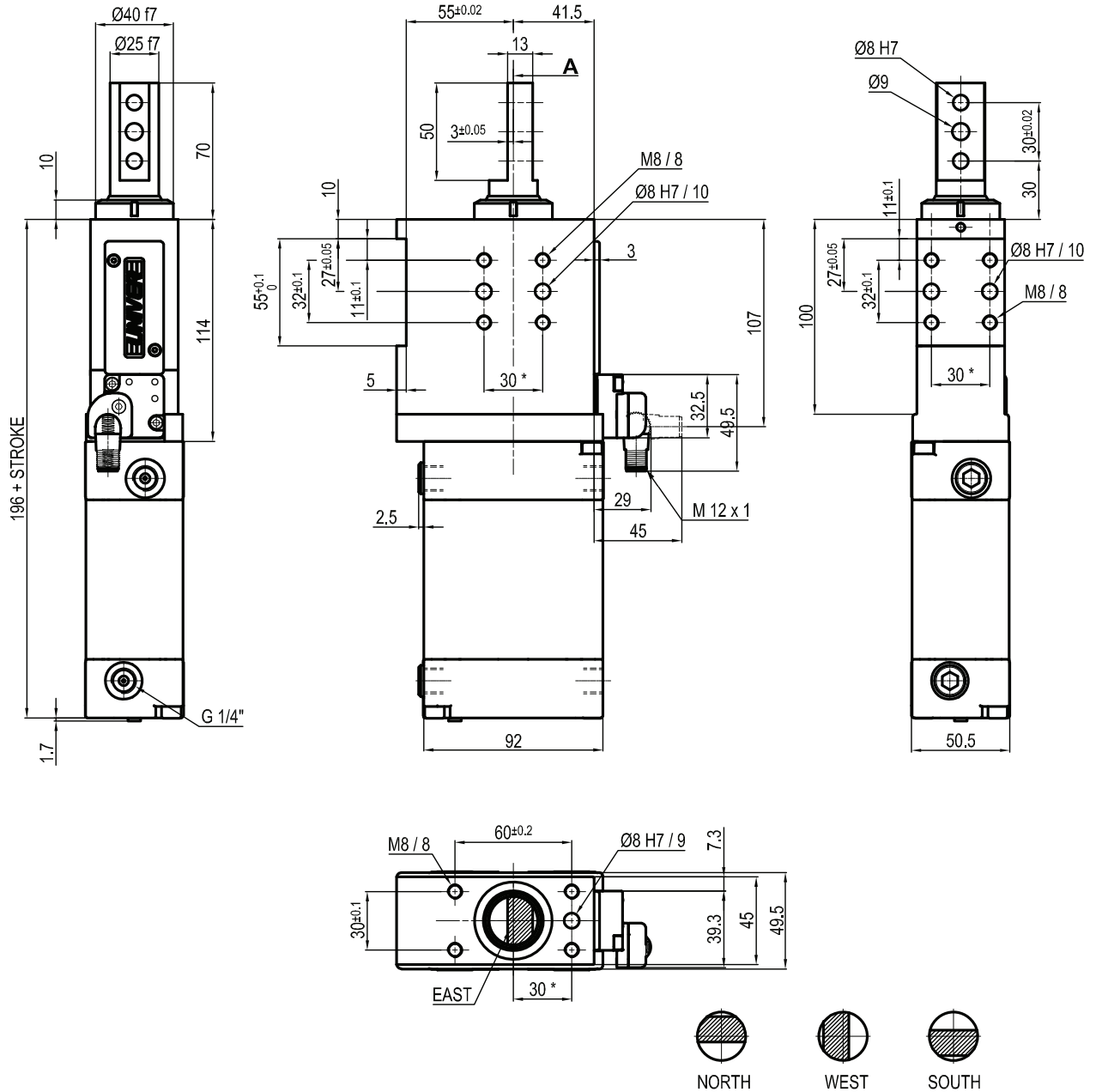
Bore Ø	Max. pull force 0,5 MPa	Max. push force 0,5 MPa	Max. torque 6 Nm	Max. deflection moment 7,5 Nm	Weight
63 mm	860 N	960 N	± 0,06°	± 0,03°	3,4 Kg

Min./Max. operating pressure: **0,4 / 0,6 MPa**  
 Operating temperature: **5° ± 45° C**  
 Strokes in mm.: **15 - 25 - 40 - 50 - 60**  
 Electronic sensor with M12 swivel connector, from 0° to 90°  
 Supply voltage: 10 ÷ 30 Vdc  
 IP code: **IP 65**  
 Pneumatic ports on both sides

\* : TOLERANCE BETWEEN DOWELS ± 0,02, BETWEEN SCREW HOLES ± 0,1

Subject to technical modifications without notice

## LCP63\_\_ \_KD\_R



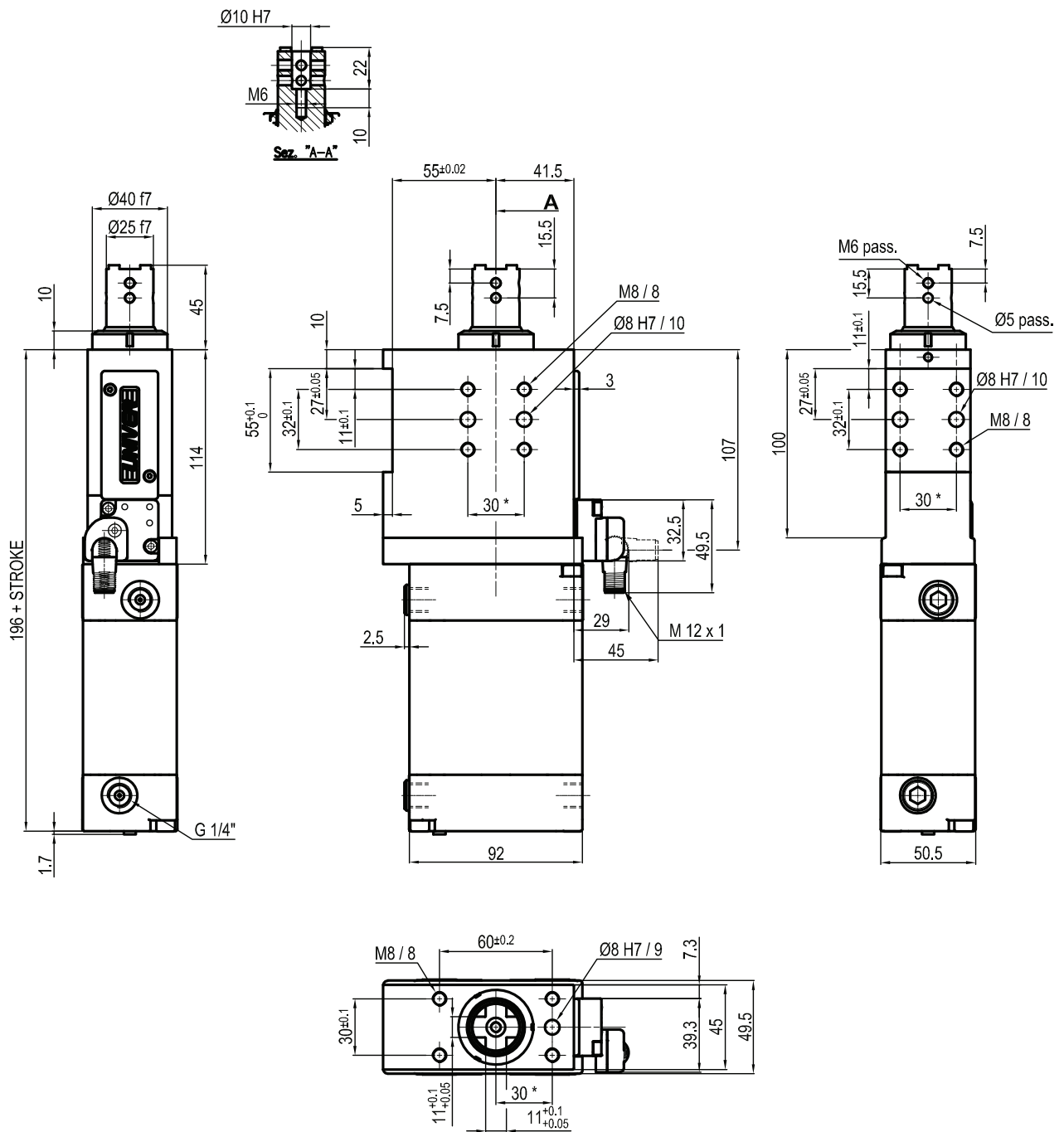
Bore $\varnothing$	Max. pull force 0,5 MPa	Max. push force 0,5 MPa	Max. torque 6 Nm	Max. deflection moment 7,5 Nm	Weight
63 mm	860 N	960 N	$\pm 0,06^\circ$	$\pm 0,03^\circ$	3,4 Kg

Min./Max. operating pressure: **0,4 / 0,6 MPa**  
 Operating temperature: **5° ± 45° C**  
 Strokes in mm.: **15 - 25 - 40 - 50 - 60**  
 Electronic sensor with M12 swivel connector, from 0° to 90°  
 Supply voltage: 10 ÷ 30 Vdc  
 IP code: **IP 65**  
 Pneumatic ports on both sides

\* : TOLERANCE BETWEEN DOWELS  $\pm 0,02$ , BETWEEN SCREW HOLES  $\pm 0,1$

Subject to technical modifications without notice

## LCP63\_ \_ \_KER



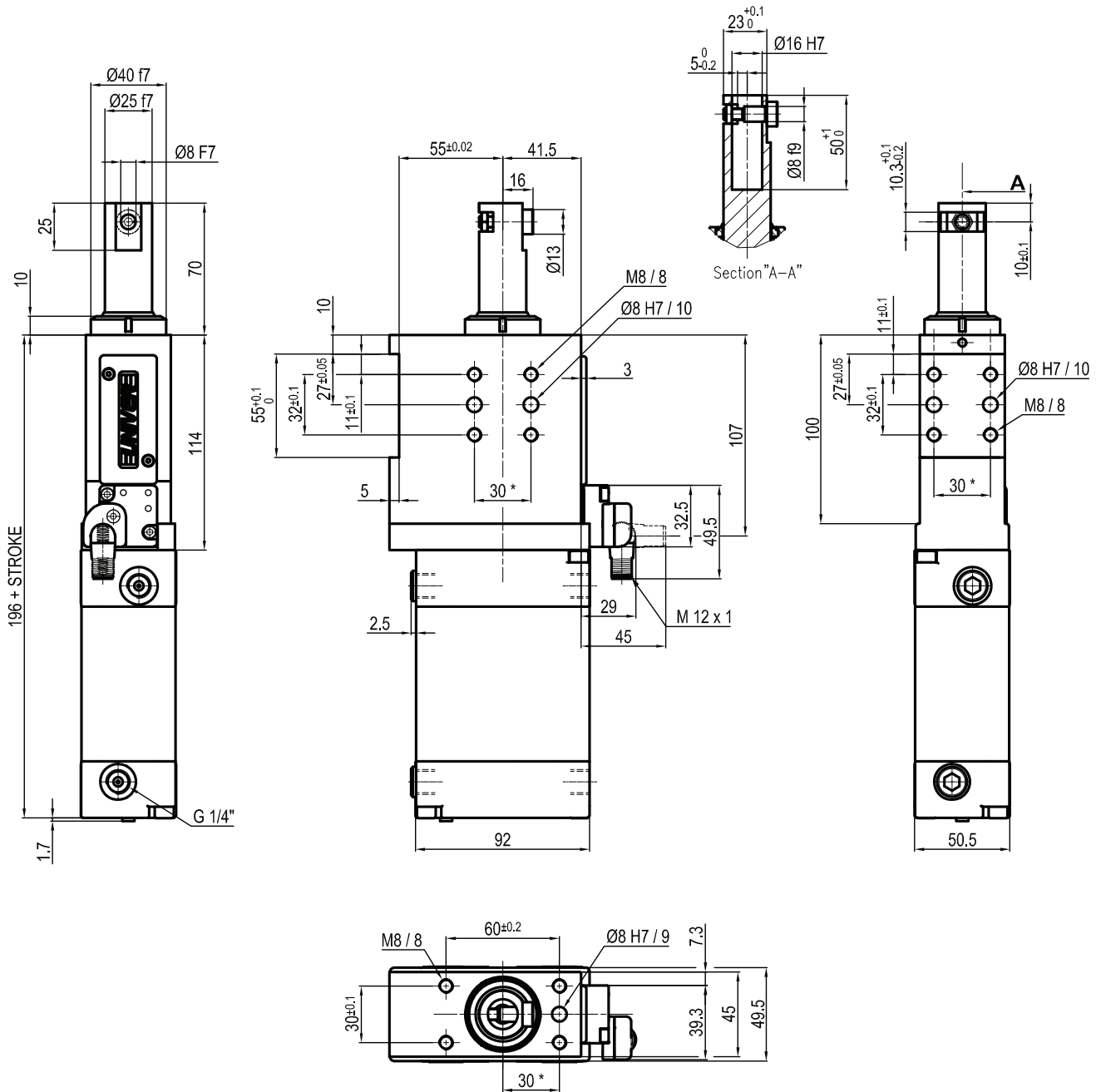
Bore $\varnothing$	Max. pull force 0,5 MPa	Max. push force 0,5 MPa	Max. torque 6 Nm	Max. deflection moment 7,5 Nm	Weight
63 mm	860 N	960 N	± 0,06°	± 0,03°	3,4 Kg

Min./Max. operating pressure: **0,4 / 0,6 MPa**  
 Operating temperature: **5° ± 45° C**  
 Strokes in mm.: **15 - 25 - 40 - 50 - 60**  
 Electronic sensor with M12 swivel connector, from 0° to 90°  
 Supply voltage: 10 ÷ 30 Vdc  
 IP code: **IP 65**  
 Pneumatic ports on both sides

\* : TOLERANCE BETWEEN DOWELS ± 0,02, BETWEEN SCREW HOLES ± 0,1

Subject to technical modifications without notice

## LCP63\_ \_ \_KFR

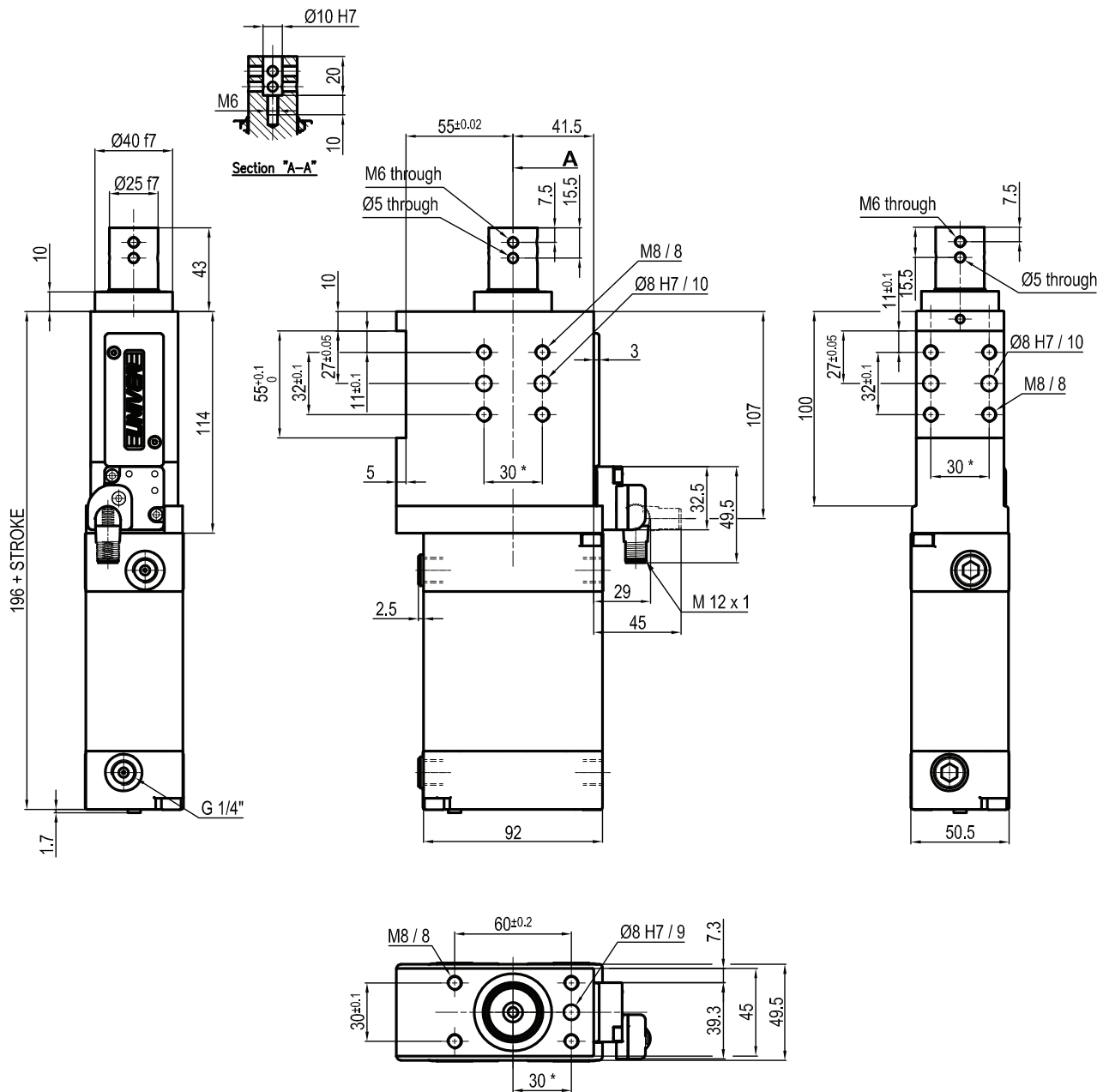


Bore Ø	Max. pull force 0,5 MPa	Max. push force 0,5 MPa	Max. torque 6 Nm	Max. deflection moment 7,5 Nm	Weight
63 mm	860 N	960 N	± 0,06°	± 0,03°	3,4 Kg

Min./Max. operating pressure: **0,4 / 0,6 MPa**  
 Operating temperature: **5° ± 45° C**  
 Strokes in mm.: **15 - 25 - 40 - 50 - 60**  
 Electronic sensor with M12 swivel connector, from 0° to 90°  
 Supply voltage: 10 ÷ 30 Vdc  
 IP code: **IP 65**  
 Pneumatic ports on both sides

\* : TOLERANCE BETWEEN DOWELS ± 0,02, BETWEEN SCREW HOLES ± 0,1

Subject to technical modifications without notice

**LCP63\_ \_ \_KHR**


Bore Ø	Max. pull force 0,5 MPa	Max. push force 0,5 MPa	Max. torque 6 Nm	Max. deflection moment 7,5 Nm	Weight
63 mm	860 N	960 N	± 0,06°	± 0,03°	3,4 Kg

Min./Max. operating pressure: **0,4 / 0,6 MPa**  
 Operating temperature: **5° ± 45° C**  
 Strokes in mm.: **15 - 25 - 40 - 50 - 60**  
 Electronic sensor with M12 swivel connector, from 0° to 90°  
 Supply voltage: 10 ÷ 30 Vdc  
 IP code: **IP 65**  
 Pneumatic ports on both sides

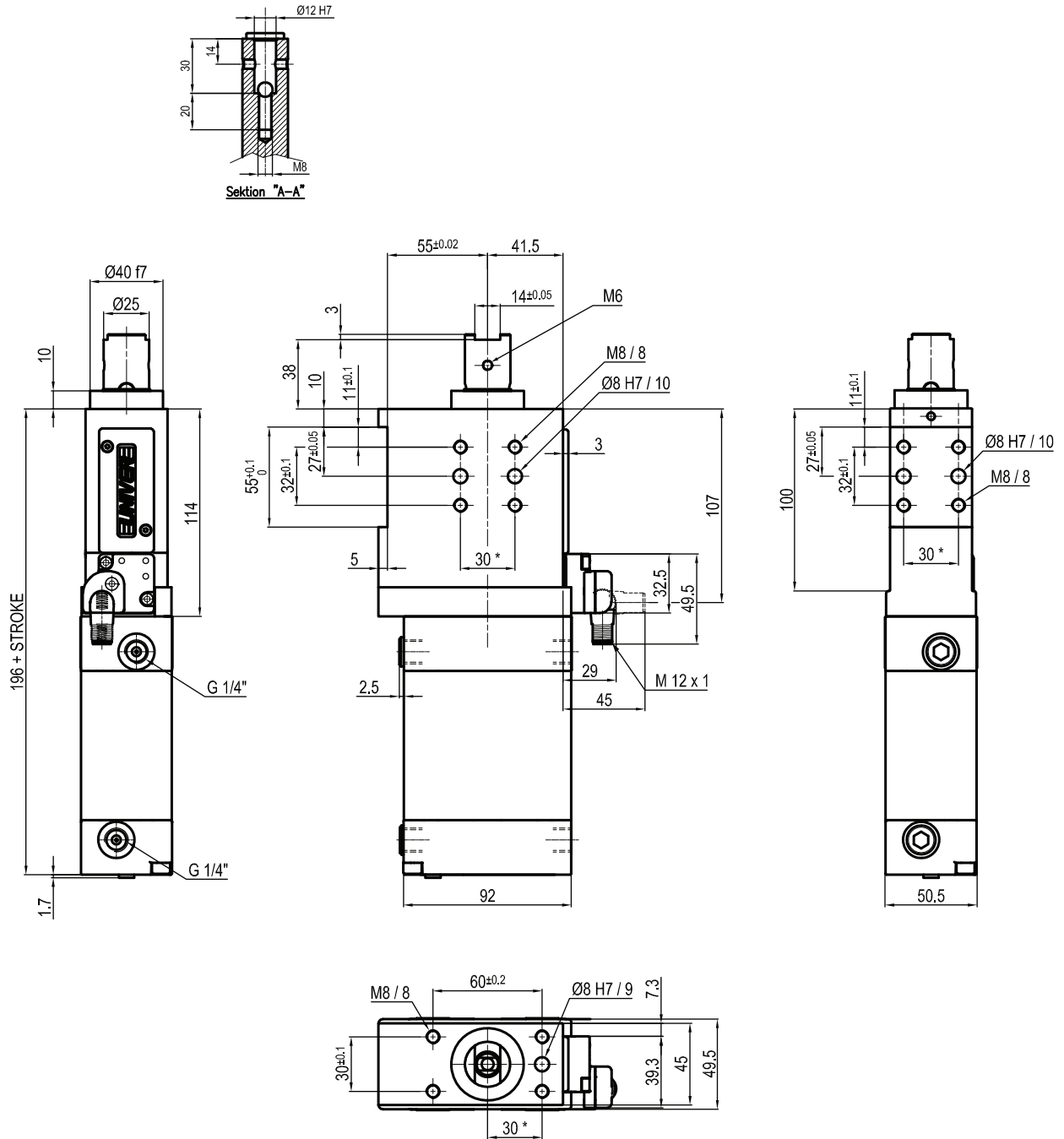
\* : TOLERANCE BETWEEN DOWELS ± 0,02, BETWEEN SCREW HOLES ± 0,1

Subject to technical modifications without notice





## LCP63\_\_KLR



Bore $\text{Ø}$	Max. pull force 0,5 MPa	Max. push force 0,5 MPa	Max. torque 6 Nm	Max. deflection moment 7,5 Nm	Weight
63 mm	860 N	960 N	$\pm 0,06^\circ$	$\pm 0,03^\circ$	3,4 Kg

 Min./Max. operating pressure: **0,4 / 0,6 MPa**

 Operating temperature: **5° ± 45° C**

 Strokes in mm.: **25 - 50**

Electronic sensor with M12 swivel connector, from 0° to 90°

Supply voltage: 10 ÷ 30 Vdc

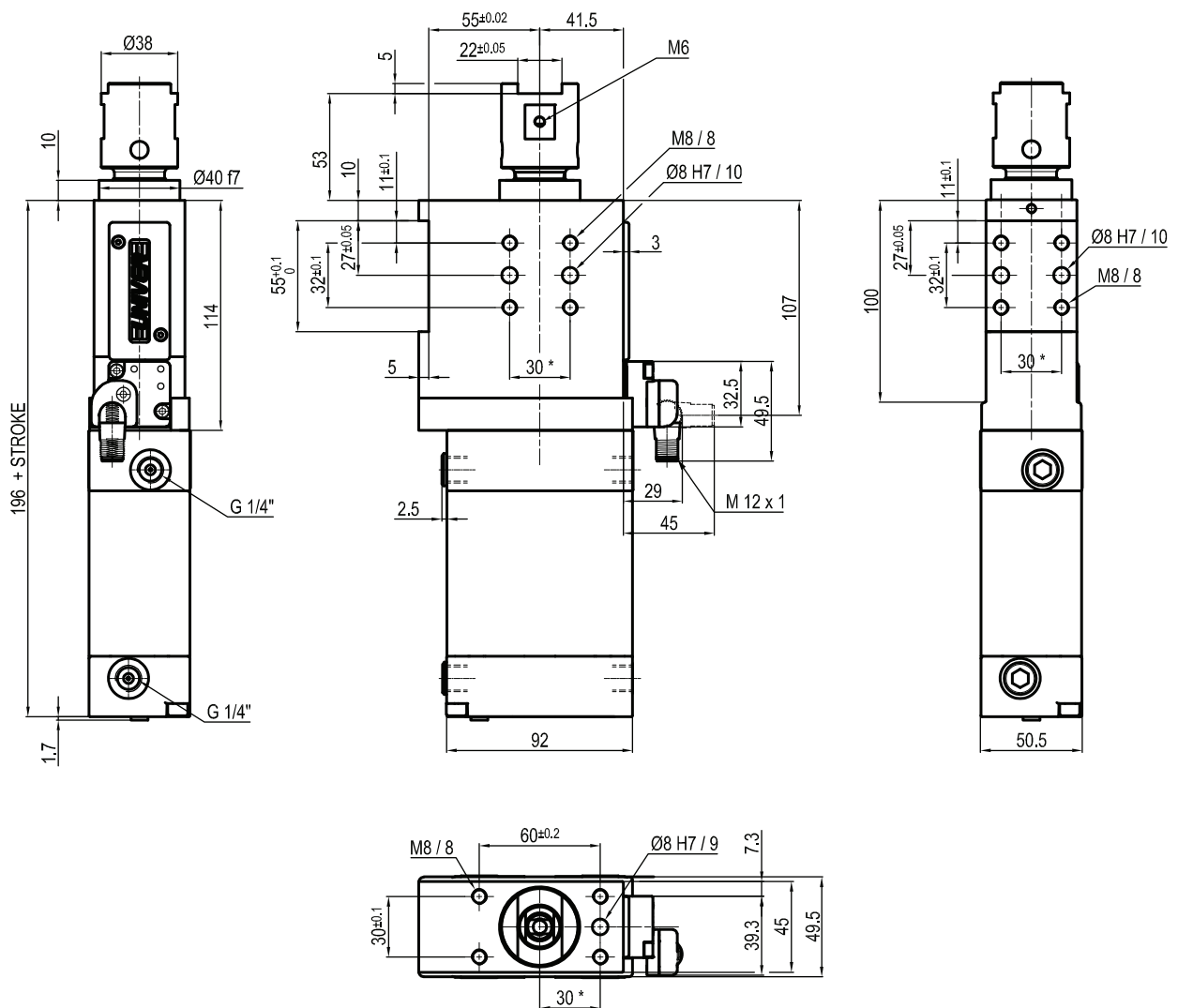
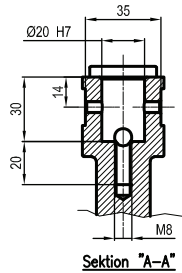
 IP code: **IP 65**

Pneumatic ports on both sides

 \* : TOLERANCE BETWEEN DOWELS  $\pm 0,02$ , BETWEEN SCREW HOLES  $\pm 0,1$ 

Subject to technical modifications without notice

## LCP63\_\_KMR



Bore Ø	Max. pull force 0,5 MPa	Max. push force 0,5 MPa	Max. torque 6 Nm	Max. deflection moment 7,5 Nm	Weight
63 mm	860 N	960 N	± 0,06°	± 0,03°	3,4 Kg

Min./Max. operating pressure: **0,4 / 0,6 MPa**  
 Operating temperature: **5° ± 45° C**  
 Strokes in mm.: **15 - 25 - 40 - 50 - 60**  
 Electronic sensor with M12 swivel connector, from 0° to 90°  
 Supply voltage: 10 ÷ 30 Vdc  
 IP code: **IP 65**  
 Pneumatic ports on both sides

\* : TOLERANCE BETWEEN DOWELS ± 0,02, BETWEEN SCREW HOLES ± 0,1

Subject to technical modifications without notice