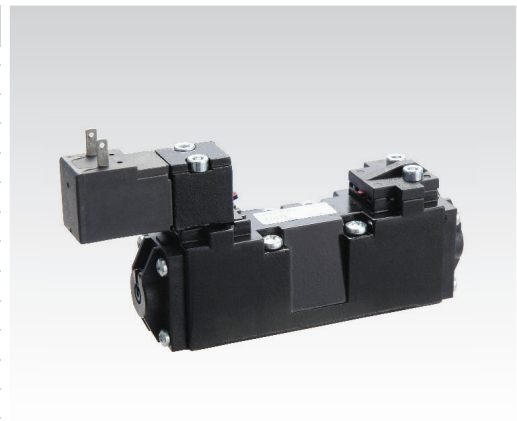


CHARACTERISTICS

Ambient temperature	-10 ÷ +45 °C
Fluid	10 µm filtered air
Commutation system	spool
Max pressure	10 bar
Connections	for sub-base
Nominal bore (mm)	4
Nominal flow rate (NI/min)	390
Valve body	acetalic resin
Seals	NBR
Electropilot/Coil	A series/U05
Voltage	24 V DC - 12 V DC - 24 V AC - 110 V AC - 230 V AC



Available ATEX version upon request
CE Ex II 2Gc IIC T5 II 2Dc T100°C
CE Ex II 3 GD c nA IIT5 -10°C ≤ Ta ≤ 45°C

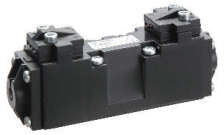
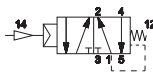
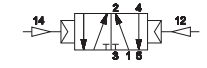
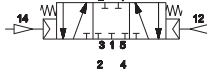
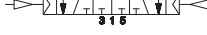
CODIFICATION KEY

F	-	0	2	2	4	
1		2	3	4	5	

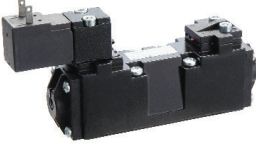
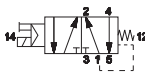
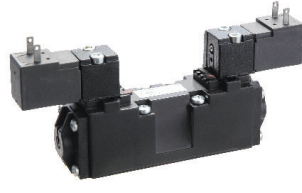
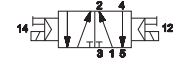
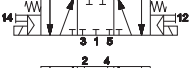
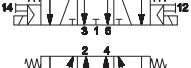
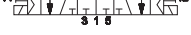
1 Series	2 Type	3 Control 14	4 Return 12	5 ATEX option
F = COMPA 4 Miniature Valves	02 = 5/2 Sub-base mounting 05 = 5/3 c.c. Sub-base mounting 06 = 5/3 o.c. Sub-base mounting 07 = 5/3 p.c. Sub-base mounting	2 = Electrical DC 4 = Pneumatic 7 = Electrical DC/AC	0 = Pneumomechanical spring 2 = Electrical DC 4 = Pneumatic impulse 7 = Electrical DC/AC	X = ATEX (upon request) See ATEX Catalogue for types and versions

c.c. = closed centres o.c. = open centres p.c. = pressurized centres

Pneumatic impulse

<p>■ Single impulse</p>   <p>F-0240</p>	<p>■ Double impulse</p> 	 <p>F-0244</p>  <p>F-0544</p>  <p>F-0644</p>  <p>F-0744</p>
---	---	---

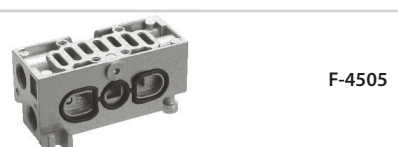
Electrical impulse

<p>■ Single impulse</p>   <p>F-0220 F-0270</p>	<p>■ Double impulse</p> 	 <p>F-0222 F-0277</p>  <p>F-0522 F-0577</p>  <p>F-0622 F-0677</p>  <p>F-0722 F-0777</p>
--	--	---

Inlet plate G1/8



Manifold sub-base, threaded connections G1/8



Solenoid valves are supplied without coil and connector