

# AM4

## Air/Oil reservoir

The air/oil reservoir allows the speed control of pneumatic cylinders.

- Double in/out connection on both caps
- Device to avoid turbulent air flow standard supplied
- Standard front level detector (on the side upon request)



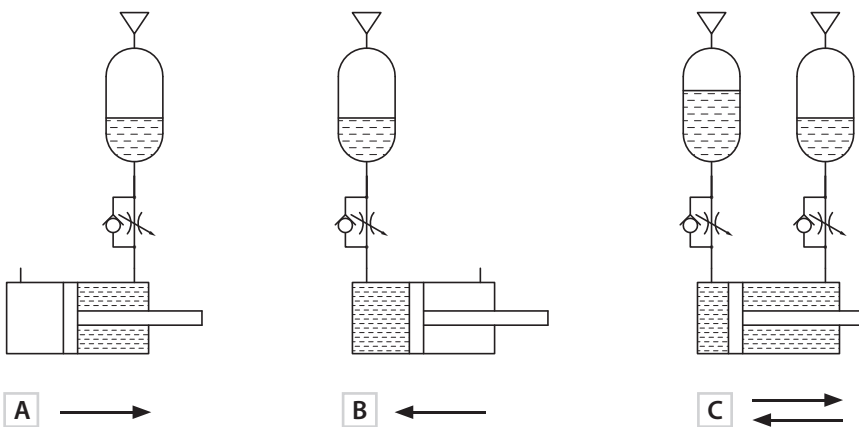
### TECHNICAL CHARACTERISTICS

Ambient temperature	-20 ÷ 80 °C
Fluid	filtered air without lubrication hydraulic oil
Working pressure	0 ÷ 8 bar
Size	100 mm

### CONSTRUCTIVE CHARACTERISTICS

End caps	technopolymer
Barrel	profiled and anodized aluminium
Piston	NBR

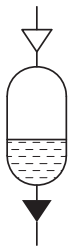
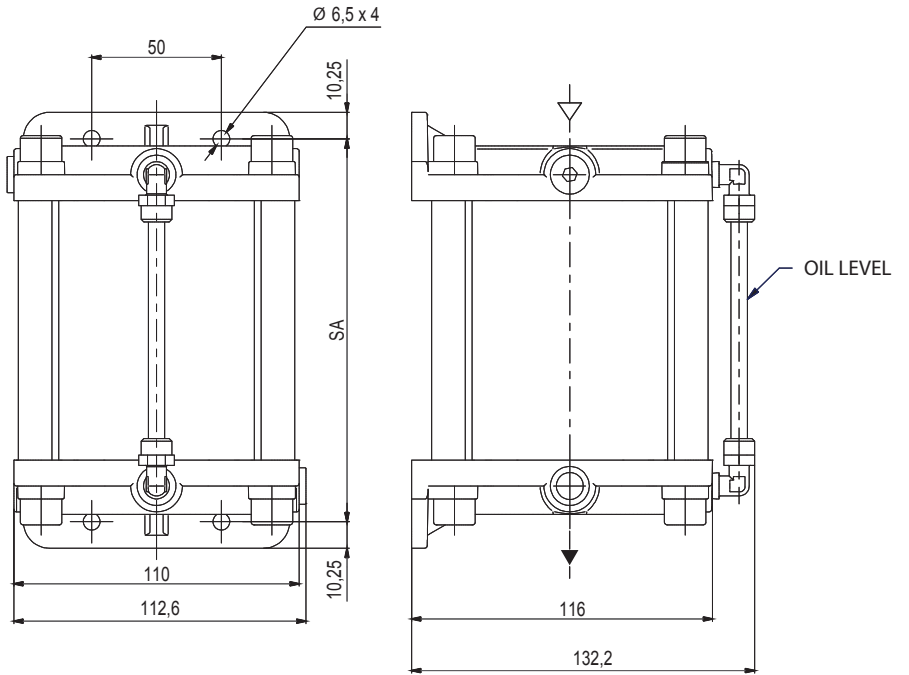
### OPERATING DIAGRAM



**A** **B** **C** = Regulation direction of piston rod's speed

- Fix the reservoir at a higher level than cylinder
- Reservoir's volume must be 20% bigger than cylinder's volume

Air/oil reservoir



5

SA = Overall dimensions of the fixing element

Part No.	Volume (dm <sup>3</sup> )	SA	Weight (Kg)
AM41000060	0,6	125	1,1
AM41000080	0,8	147,5	1,3
AM41000120	1,2	197,5	1,7
AM41000160	1,6	247,5	2,2
AM41000200	2,0	297,5	2,6
AM41000240	2,4	347,5	3
AM41000280	2,8	397,5	3,4
AM41000320	3,2	447,5	3,9
AM41000360	3,6	497,5	4,3
AM41000400	4,0	547,5	4,7
AM41000440	4,4	597,5	5,1