



### NAMUR valve

- Mixed commutation system (spool-poppet)
- High flow rate
- Quick response time
- High cycle rates
- Control: pneumatic, electric
- Suitable for rotating pneumatic actuators used in industrial plants for the distribution of fluids
- NAMUR VDI/VDE 3845 interface



Fluid	50 µm filtered air, with or without lubrication
Ambient temperature	-10 ÷ 45 °C
Fluid temperature	-10 ÷ 50 °C
Commutation system	poppet mixed
Ways/Positions	5/2 - 3/2* * = This can be achieved with isolating disc, standard supplied
Pressure	10 bar max
Control	pneumatic, electric
Return	pneumomechanical spring, pneumatic, electric
Connections	1-3-5: G1/4 2-4: NAMUR interface
Nominal Ø	8 mm
Nominal flow rate	1200 NI/min
Valve body	zamak
Seals	nitrile rubber, polyurethane
Actuators	technopolymer
Spool	aluminium
Electropilot	AA series
Coil	U1-U3
Power consumption	3,5 W (DC) - 5 VA (AC)
Connector	AM-5110
Voltage	12 V DC - 24 V DC - 24 V AC - 110 V AC - 230 V AC
Manual override	impulse screw - 2 positions



### Reference standard

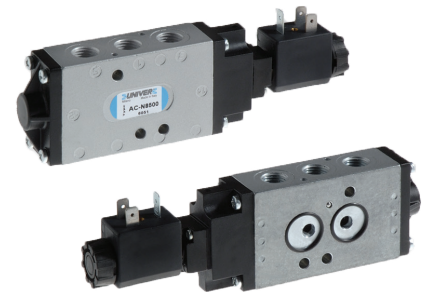
II 2G Ex h IIC T5 Gb



II 2D Ex h IIIC T100°C Db



II 3 GD c nA II T5 -10 °C ≤ Ta ≤ 45 °C IP65



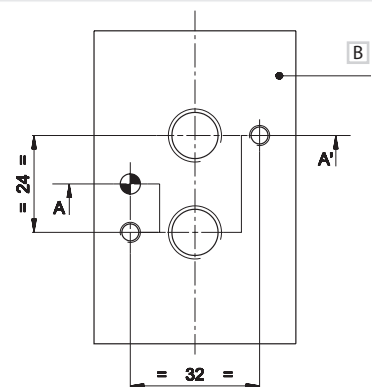
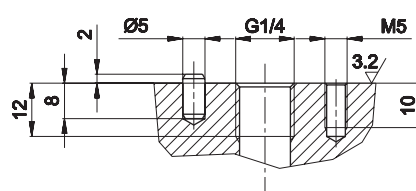
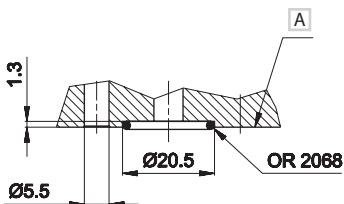
### MISTO

per applicazioni gravose



### NAMUR INTERFACE

A-A' section



A Electrovalve surface

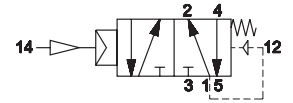
B Flange surface

**SINGLE PNEUMATIC IMPULSE**

Code	Way	Thread	Control	Return	Pressure bar	Response. Time (ms)		Weight Kg
						En.	De-en.	



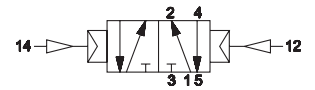
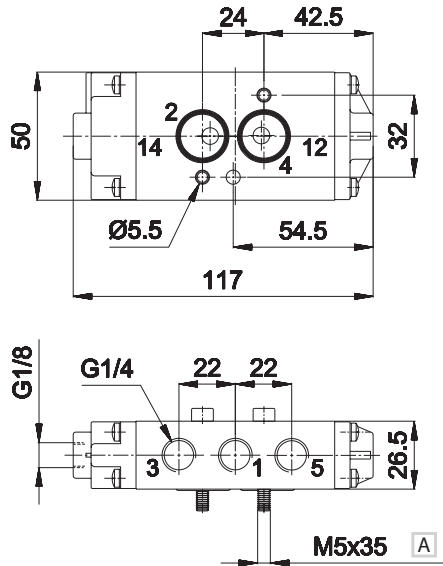
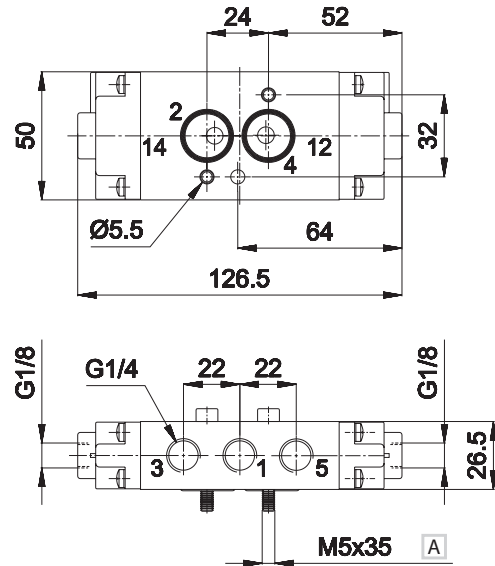
**AC-N8100** 5/2 G 1/4 pneumatic amplified pneumo mechanical spring 2,3÷10 10 10 0,564


**DOUBLE PNEUMATIC IMPULSE**

Code	Way	Thread	Control	Return	Pressure bar	Response. Time (ms)		Weight Kg
						En.	De-en.	



**AC-N8120** 5/2 G 1/4 pneumatic amplified pneumatic amplified 0,8÷10 6 6 0,564


**SINGLE PNEUMATIC IMPULSE**

**DOUBLE PNEUMATIC IMPULSE**


**A** ISO 4762

- 1 = Supply port
- 2 - 4 = Use
- 3 - 5 = Exhaust
- 14 = Control
- 12 = Return

**A** ISO 4762

- 1 = Supply port
- 2 - 4 = Use
- 3 - 5 = Exhaust
- 14 = Control
- 12 = Return

Version 3/2: valves are supplied with proper fl at plug for closing unused way.  
Solenoid valves are supplied without coil / connector

**SINGLE ELECTRICAL IMPULSE**

Code	Way	Thread	Control	Return	Pressure bar	Response. Time (ms)		Weight Kg
						En.	De-en.	


**AC-N8500**

5/2

G 1/4

electric amplified

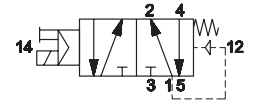
pneumo mechanical spring

2,3÷10

22

22

0,6


**DOUBLE ELECTRICAL IMPULSE**

Code	Way	Thread	Control	Return	Pressure bar	Response. Time (ms)		Weight Kg
						En.	De-en.	


**AC-N8520**

5/2

G 1/4

electric amplified

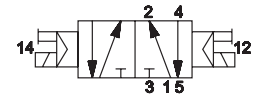
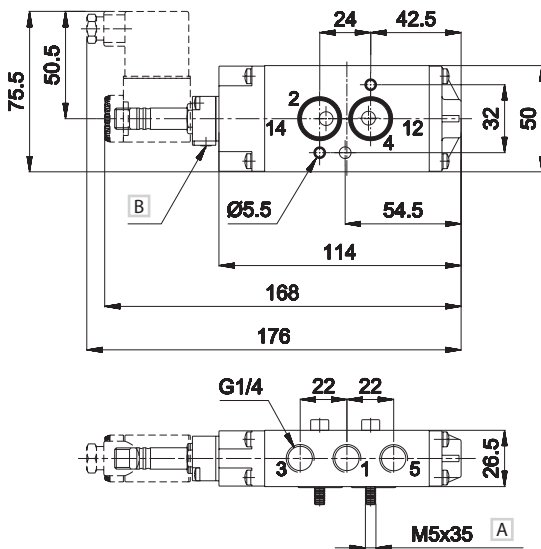
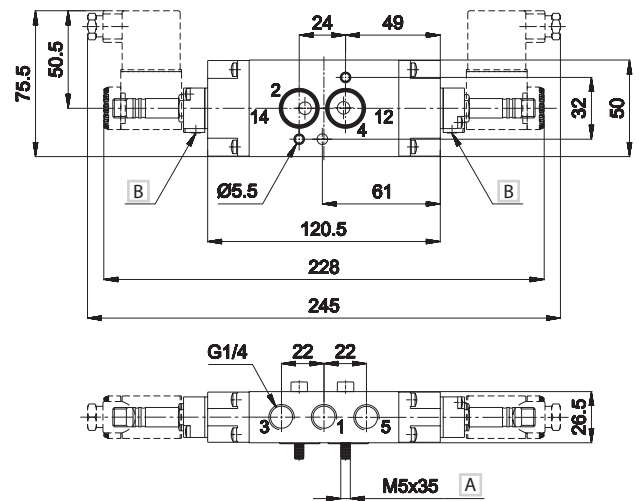
electric amplified

0,8÷10

14

14

0,636


**SINGLE ELECTRICAL IMPULSE**

**DOUBLE ELECTRICAL IMPULSE**

**A** ISO 4762

- 1 = Supply port
- 2 - 4 = Use
- 3 - 5 = Exhaust
- 14 = Control
- 12 = Return

**A** ISO 4762

- B** Manual control
- 1 = Supply port
- 2 - 4 = Use
- 3 - 5 = Exhaust
- 14 = Control
- 12 = Return

 Version 3/2: valves are supplied with proper fl at plug for closing unused way.  
 Solenoid valves are supplied without coil / connector

**COILS**

CSA/UL

Possibility of replacement without intervention in the pneumatic circuit

Other voltages available upon request

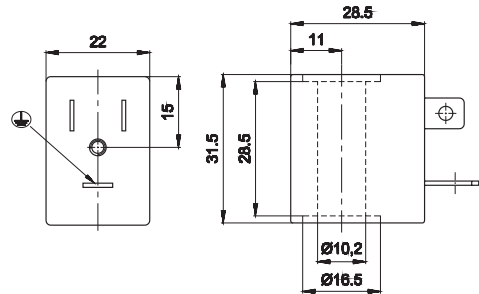
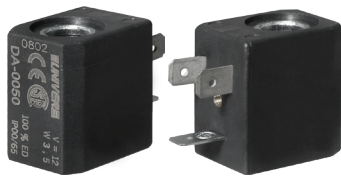
360° rotation on the pilot. Coil winding: H class

Ambient temperature: -10 ÷ +45 °C. Fluid temperature: -10 ÷ +95 °C.

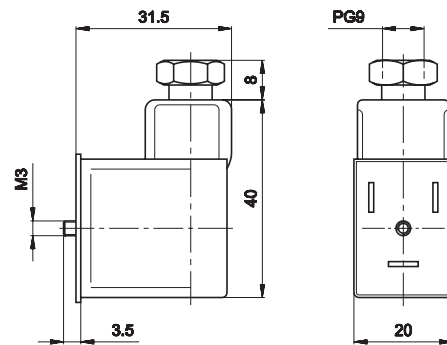
The solenoid valves functioning with 100V-230V must be incorporated (EN60204-1)

Under continuous service a maximum temperature will not compromise the functioning of the coil provided that the working position is ventilated.

Protection class IP65, if used with connector.


**U1 22 MM COIL**


Code	Duty cycle ED (a) %	Power consumption W		Tolerance tension %	Rated voltage	Weight Kg
		Hold	Inrush			
DA-0050	100	3,5	3,5	±10	12 V DC	0,06
DA-0051	100	3,5	3,5	±10	24 V DC	0,06
DA-0106	100	5,4 VA (Max)	7,8 VA (Max)	±10	24 V AC/50-60 HZ	0,06
DA-0108	100	5,4 VA (Max)	7,8 VA (Max)	±10	110 V AC/50-60 HZ	0,06
DA-0124	100	5,4 VA (Max)	7,8 VA (Max)	±10	230 V AC/50-60 HZ	0,06

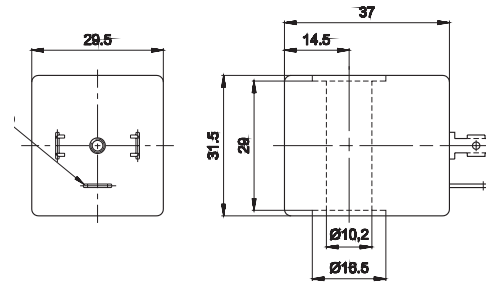
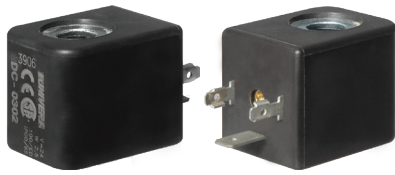
**CONNECTOR FOR COIL U1**


Code	Series coils	Protection rating	Cable connection	Guidance
AM-5110	U1	IP65	PG9	180°

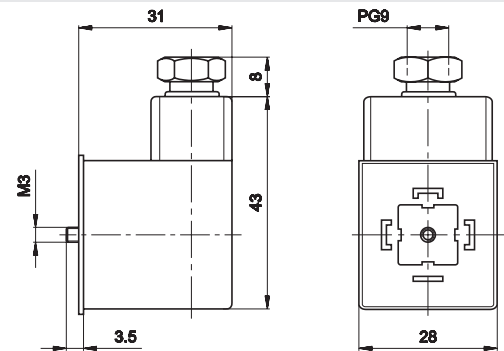
LED available upon request.

(a) = 110V - 230V solenoid valves must be built-in (EN-60204-1)

In continuous operation, the operating temperature does not affect the coil's performance, provided it is installed in a well-ventilated area

**U3 30 MM COIL**


Code	Duty cycle ED (a) %	Power consumption W		Tolerance tension %	Rated voltage	Weight Kg
		Hold	Inrush			
<b>DC-0301</b>	100	2,5	2,5	±10	12 V DC	0,08
<b>DC-0302</b>	100	2,5	2,5	±10	24 V DC	0,08
<b>DC-0307</b>	100	3,3 VA (Max)	5 VA (Max)	±10	24 V AC/50-60 HZ	0,08
<b>DC-0309</b>	100	3,3 VA (Max)	5 VA (Max)	±10	110 V AC/50-60 HZ	0,08
<b>DC-0310</b>	100	3,3 VA (Max)	5 VA (Max)	±10	230 V AC/50-60 HZ	0,08

**CONNETTORE DIN 43650 PER BOBINE SERIE U3**


Code	Series coils	Protection rating	Cable connection	Guidance
<b>AM-5111</b>	U3	IP65	PG9	360°

LED available upon request.