



### Pneumatic and solenoid foot valves

- Double poppet system appreciated for its reliability and high flow rate
- Aluminium valve body and pedal lever assuring the max strenght
- Available with and without protection (in the latter case the protection is to be realized by the machine builder according to the current rules)
- Available with safety devices to prevent unintentional operations
- Available with pneumatic servo-assistance in case of minimum stress
- Electric foot valves with single or double microswitch complete the foot valve range



Fluid	filtered air 50 µm, with or without lubrication	
Temperature ambient	-10 ÷ +70°C	
Temperature fluid	-10 ÷ +50°C	
Commutation system	Poppet	
Ways/Position	2/2 NC, 3/2 NC, 2/2 NO, 3/2 NO, 5/2	
Pressure	Max 10 bar	
Control	pedal	
Return	mechanical spring, peda	
Connections	G1/8	G1/4
Nominal bore (mm)	2,3	8
Nominal flow rate (NI/min)	98	800

#### PNEUMATIC FOOT VALVE

Valve body	zamak
Lever pedale	aluminium
Pedal body and protection	plastic material with steel reinforcement plate
Seals	oil-resistant and wear-resistant compound
Spool	aluminium

#### SOLENOID FOOT VALVE

Valve body, lever foot, protection	dielectric plastic material
------------------------------------	-----------------------------

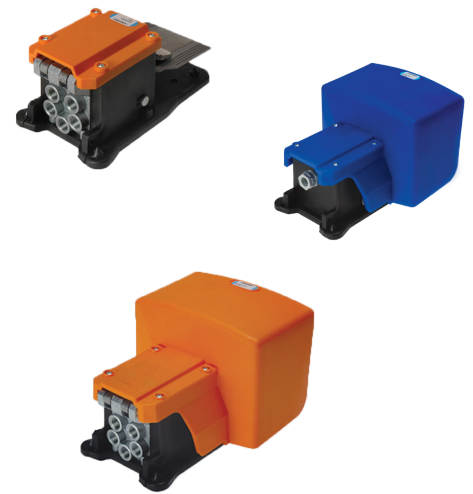


### Riference standard

II 2G Ex h IIC T5 Gb

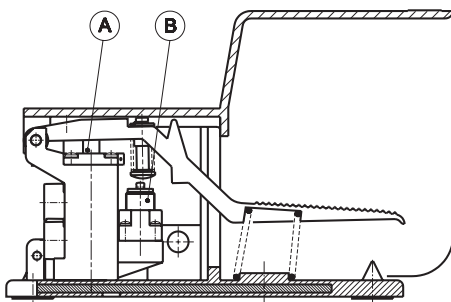


II 2D Ex h IIIC T100°C Db



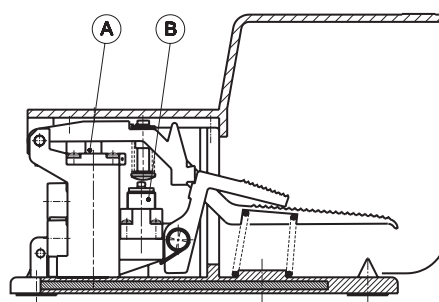
## FUNCTIONING

Pedal with spring return



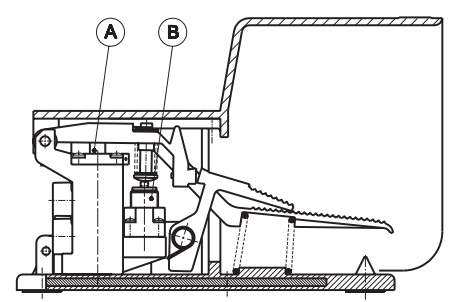
Direct operation A or pneumatic servo-assistance B.

Pedal with two positions (bistable)



The pedal must be deeply pressed. The unlocking pedal brings the pedal back to the starting position.

Pedal with safety device



Operation is possible only by pushing both pedals at the same time. Pedals return to the starting position by releasing them. In this case unintentional operation is avoided.

**PNEUMATIC FOOT VALVE WITH PROTECTION**

Code	Way	Thread	Return	Force N	Weight Kg	
<b>SPRING RETURN</b>						
AM-5000	3/2 NC	G 1/4	mechanical spring	20	1,25	
AM-5001	5/2	G 1/4	mechanical spring	20	1,45	
AM-5002	3/2 NO	G 1/4	mechanical spring	20	1,25	
<b>PEDAL BISTABLE</b>						
AM-5003	3/2 NC	G 1/4	pedal	20	1,37	
AM-5004	5/2	G 1/4	pedal	20	1,52	
AM-5005	3/2 NO	G 1/4	pedal	20	1,37	
<b>WITH SAFETY CONTROL</b>						
AM-5011	5/2	G 1/4	mechanical spring	20	1,45	
AM-5012	3/2 NO	G 1/4	mechanical spring	20	1,25	
AM-5015	3/2 NC	G 1/4	mechanical spring	20	1,25	
<b>EXTERNAL OFORATION - SPRING RETURN</b>						
AM-5021	5/2	G 1/4	mechanical spring	20	1,45	
<b>EXTERNAL OFORATION - BISTABLE</b>						
AM-5031	5/2	G 1/4	mechanical spring	20	1,45	
<b>EXTERNAL OFORATION WITH SAFETY CONTROL</b>						
AM-5041	5/2	G 1/4	mechanical spring	20	1,45	


**PNEUMATIC PEDAL WITHOUT A PROTECTIVE COVER**

Code	Way	Thread	Return	Force N	Weight Kg	
<b>SPRING RETURN</b>						
AM-5000	3/2 NC	G 1/4	mechanical spring	20	1,25	
AM-5001	5/2	G 1/4	mechanical spring	20	1,45	
<b>PEDAL BISTABLE</b>						
AM-5003	3/2 NC	G 1/4	pedal	20	1,37	
AM-5004	5/2	G 1/4	pedal	20	1,52	



Other versions available on request.

**If this version is used, the user must ensure that the necessary safety measures are taken in accordance with current regulations.**

**PNEUMATIC FOOT VALVE G1/8 WITH PROTECTION**

Code	Way	Thread	Return	Force N	Weight Kg	
<b>AM-5043B</b>	2/2 NC	G 1/8	mechanical spring	20	0,96	
<b>AM-5043D</b>	2/2 NO	G 1/8	mechanical spring	20	0,96	
<b>AM-5043</b>	3/2 NC	G 1/8	mechanical spring	20	0,96	
<b>AM-5043C</b>	3/2 NO	G 1/8	mechanical spring	20	0,96	



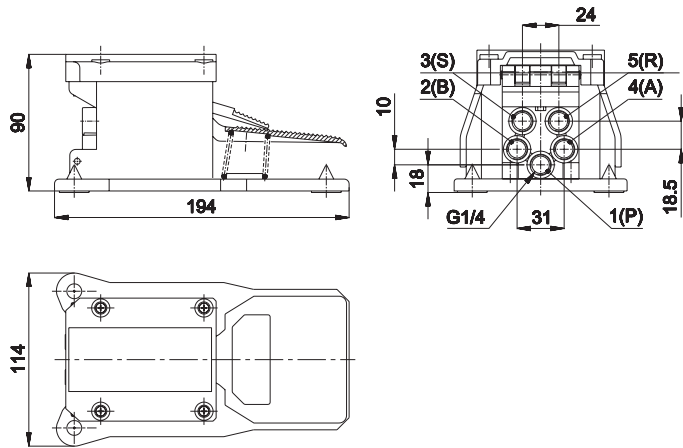
Version without protection available on request

**SOLENOID FOOT VALVE**

Code	Return	Force N	Weight Kg	
<b>AM-5050</b>	No electrical microswitch	20	0,86	
<b>AM-5051</b>	Electrical microswitch	20	0,92	
<b>AM-5052</b>	Double electrical microswitch	20	0,95	



PNEUMATIC FOOT VALVE WITH PROTECTION

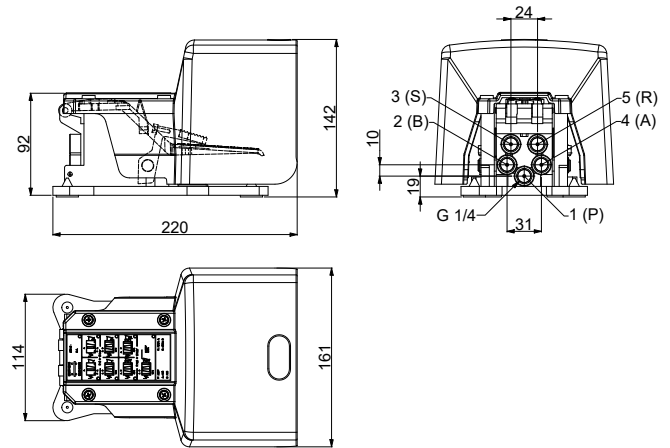


Threaded fittings for various applications:

3/2 NC			3/2 NO			5/2				
A	P	R	B	P	S	A	B	P	R	S
4	1	5	2	1	3	4	2	1	5	3

1 (P) = Supply port  
 2 - 4 (B-A) = Use  
 3 - 5 (S-R) = Exhaust

PNEUMATIC FOOT VALVE WITH PROTECTION

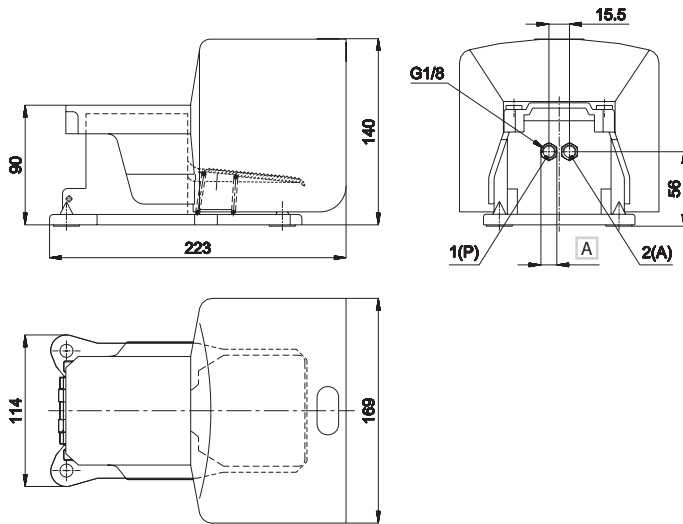


Threaded fittings for various applications:

3/2 NC			3/2 NO			5/2				
A	P	R	B	P	S	A	B	P	R	S
4	1	5	2	1	3	4	2	1	5	3

1 (P) = Supply port  
 2 - 4 (B-A) = Use  
 3 - 5 (S-R) = Exhaust

PNEUMATIC PEDAL WITHOUT A PROTECTIVE COVER

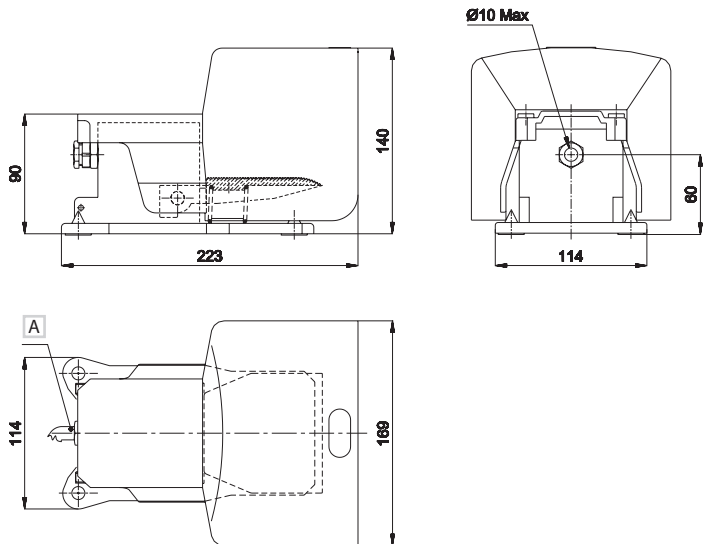


Threaded fittings for various applications:

2/2 NC		2/2 NO		3/2 NC			3/2 NO		
A	P	B	P	A	P	R	B	P	S
4	1	2	1	4	1	5	2	1	3

A = Wrench 12  
 1 (P) = Supply port  
 2 (A) = Use

SOLENOID FOOT VALVE



A = Electrical cable